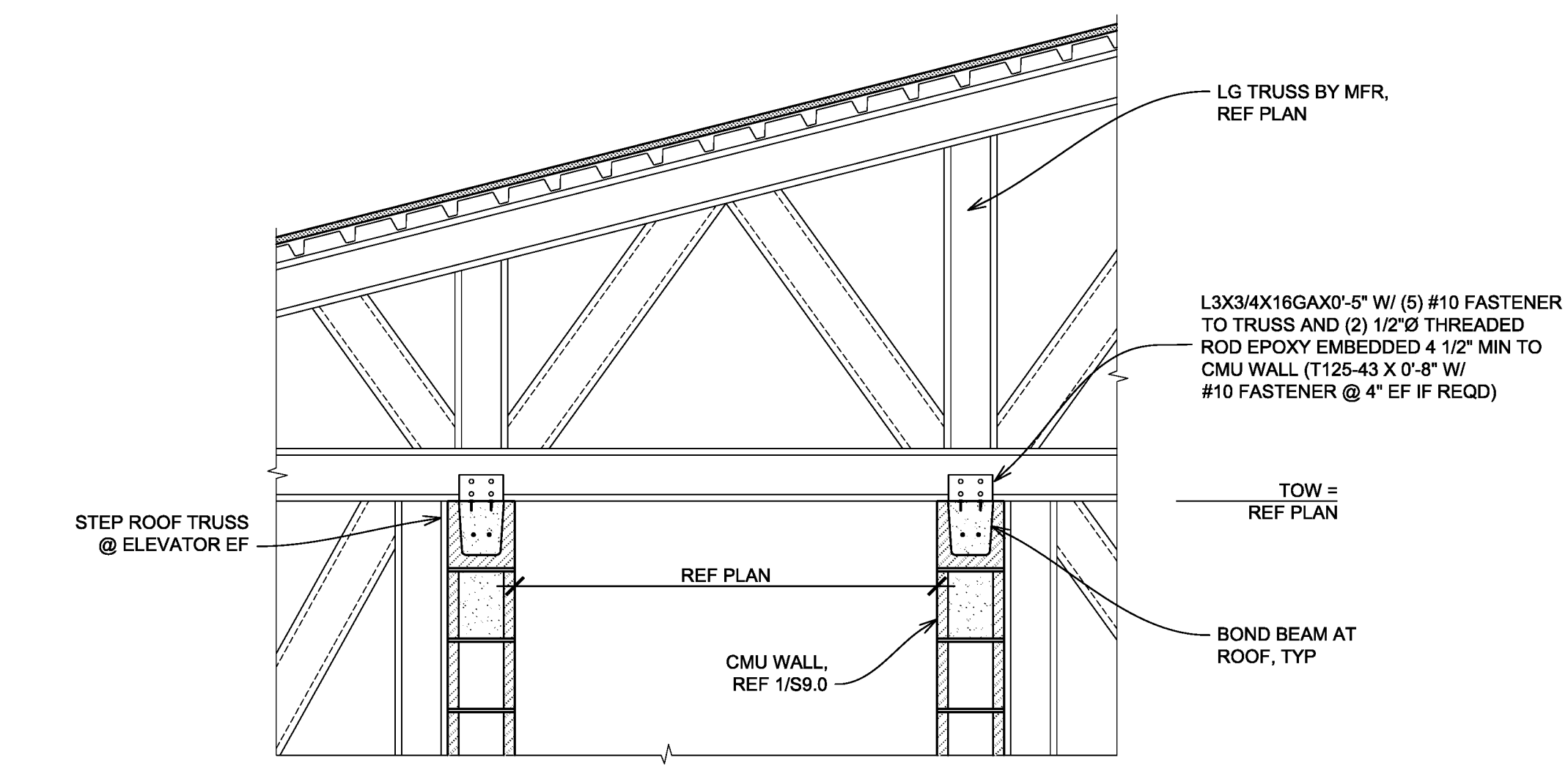
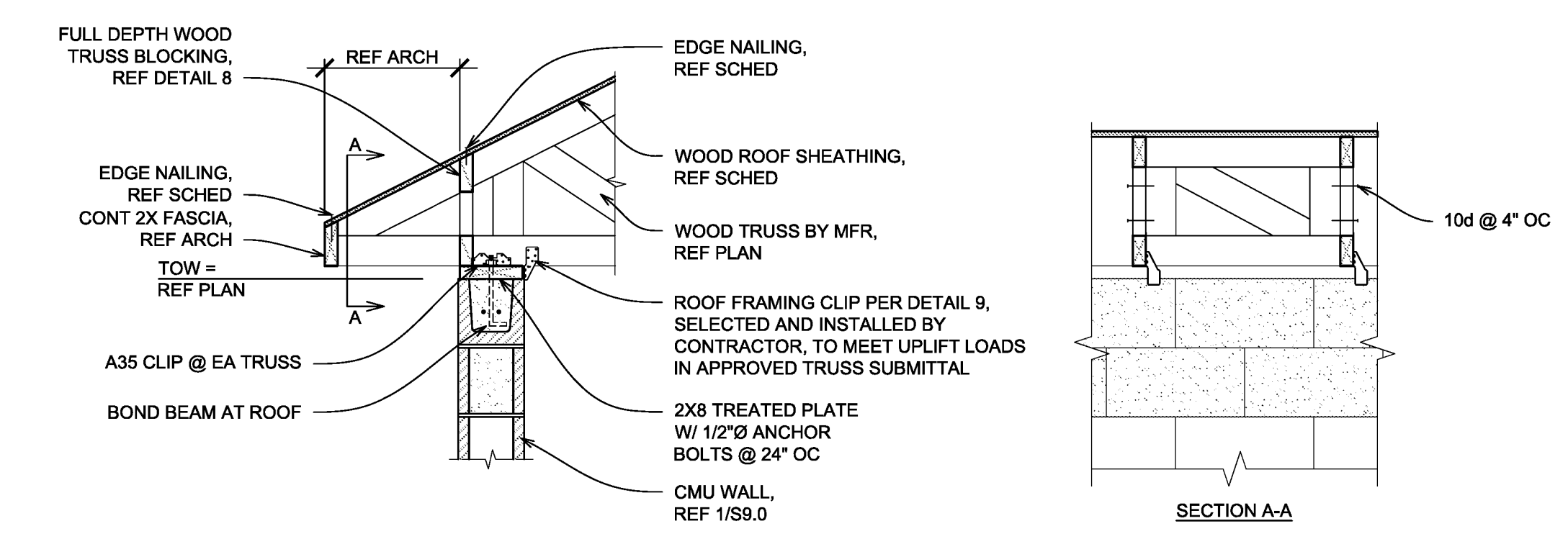


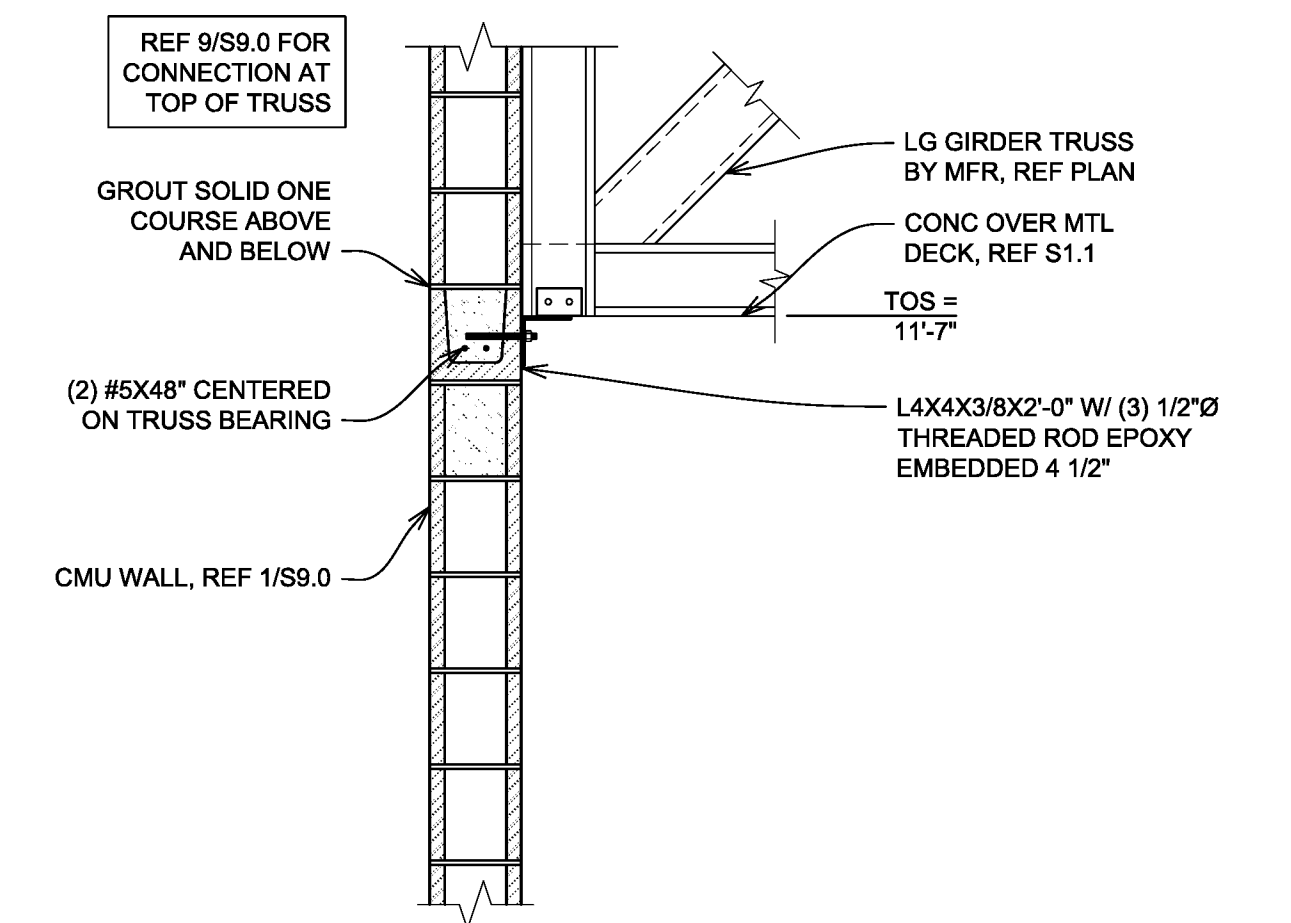
19 LG TRUSS BEARING AT ELEVATOR
NTS



20 WOOD TRUSS BEARING AT CMU WALL
NTS



21 LG GIRDER TRUSS BEARING @ CMU WALL
NTS



TDI PROJECT #201-156

**TEXAS
DESIGN
INTERESTS, LLC**
AUSTIN • HOUSTON

6001 W. WILLIAM CANNON
BUILDING 2, SUITE 203-C
AUSTIN, TX 78749
(512) 301-3389 (o)
(512) 301-3348 (f)

COMMERCIAL/RESIDENTIAL - CIVIL & STRUCTURAL ENGINEERING

pi architects
3500 Jefferson St. Suite 303
Austin, TX 78731
P: (512) 231-1910
F: (512) 231-1950
www.piarch.com

**WATERSTONE AT BATON ROUGE
ASSISTED LIVING & MEMORY CARE**

SIEGEN LANE
BATON ROUGE, LA 70810

ISSUE:
PERMIT SET

©2015 PI ARCHITECTS, INC.

REVISIONS:

DATE:
3/31/2016
PROJECT NUMBER:
14017
SHEET TITLE:
MASONRY
DETAILS
SHEET:
S9.1