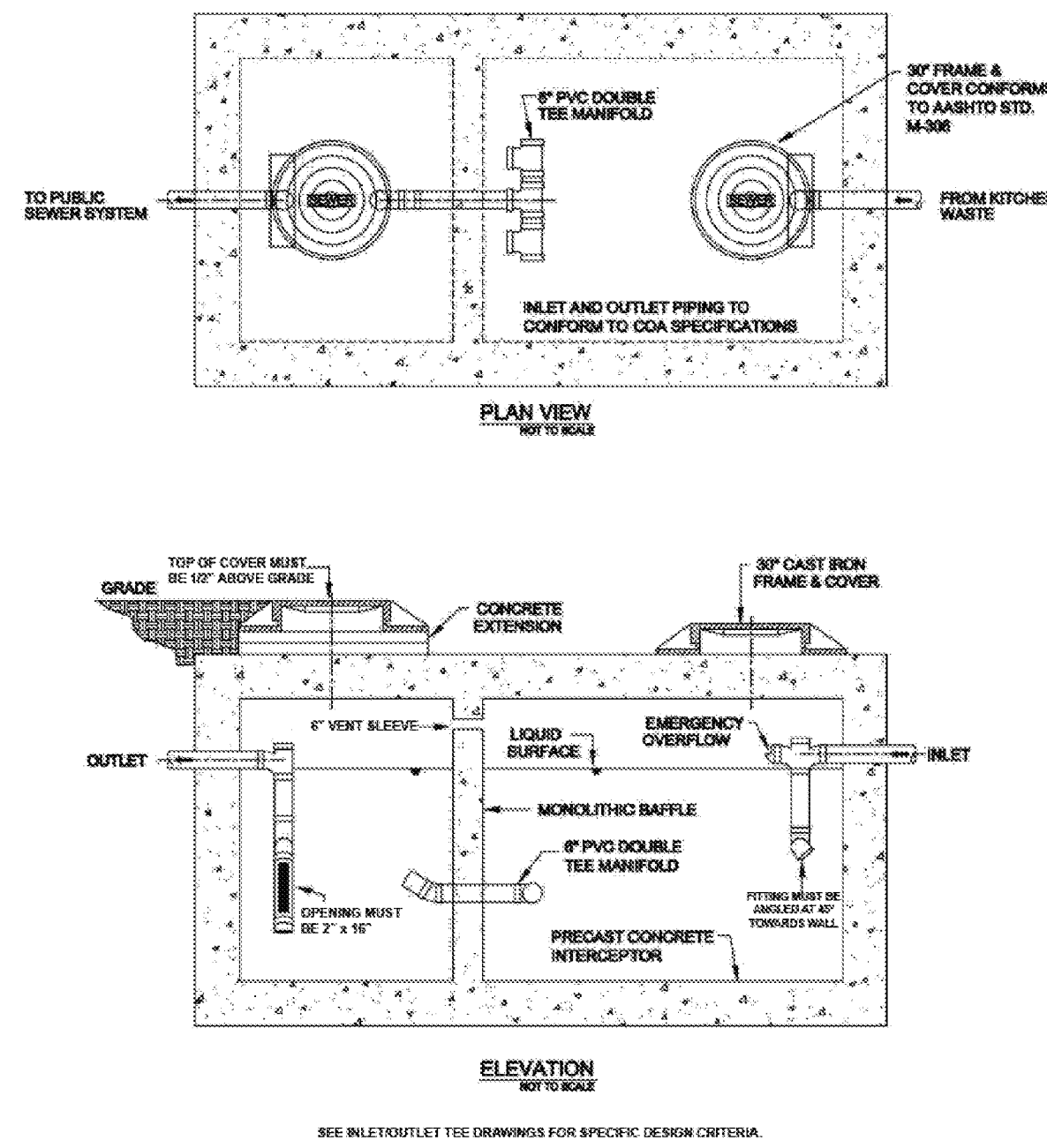


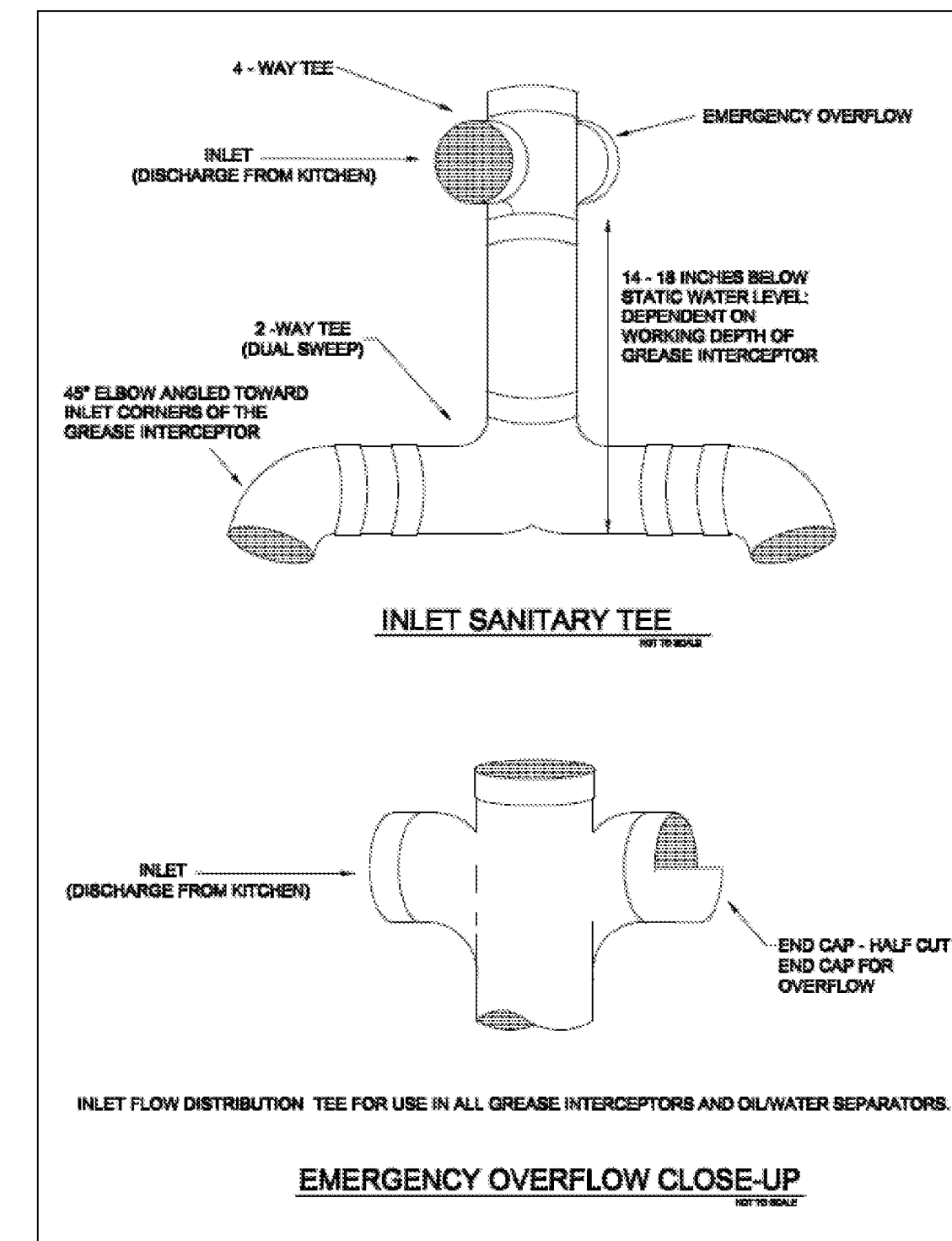
BIM Server: Server2012 - BIM Server (18/01/14)17 Concordia-Baton Rouge | Ver: 18.001 | Wednesday, September 02, 2015 | 4:04 PM

Grease Interceptor Design Specifications—Top and Side View Cutaway Details

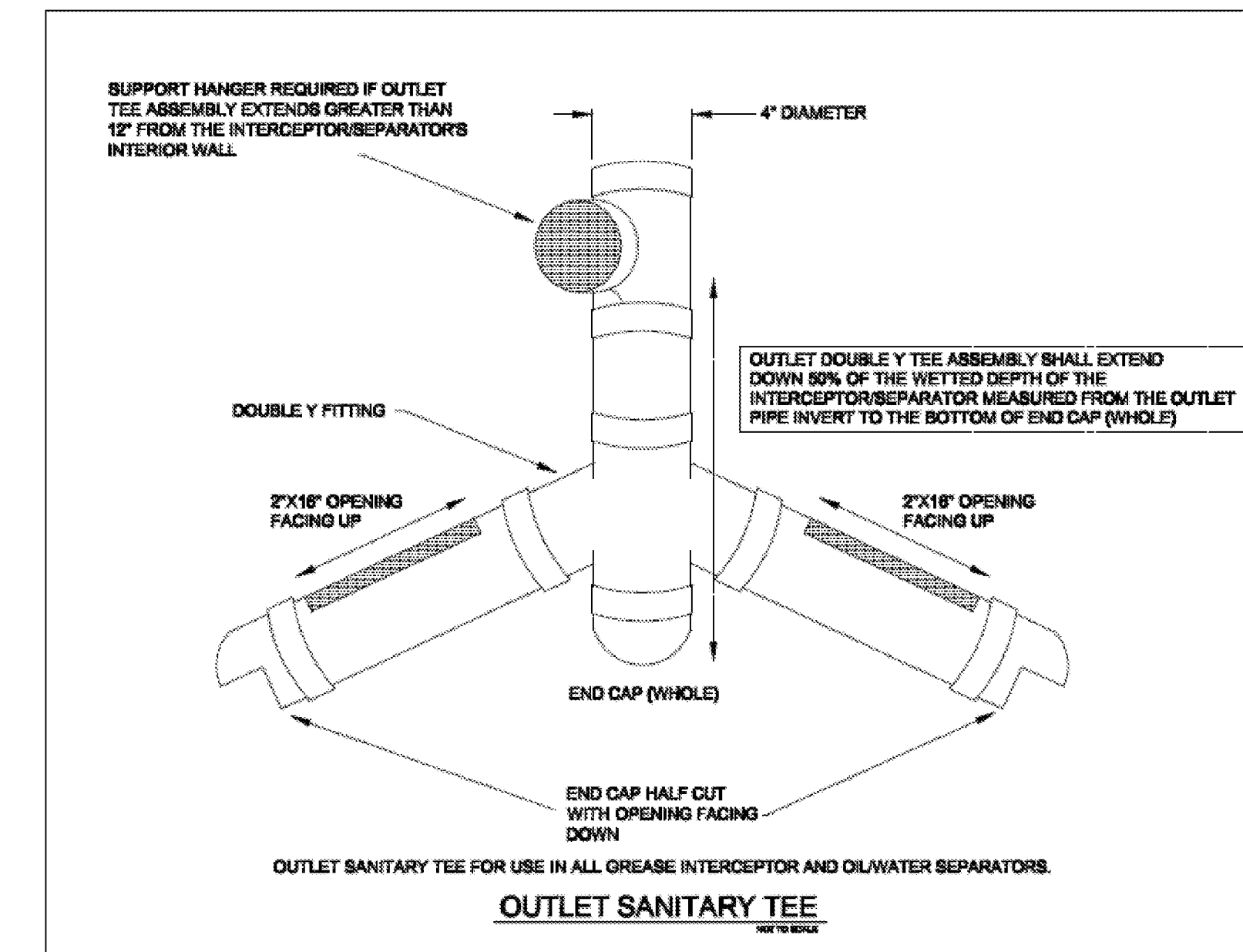


1 GREASE INTERCEPTOR DETAIL
P7.3 N.T.S.

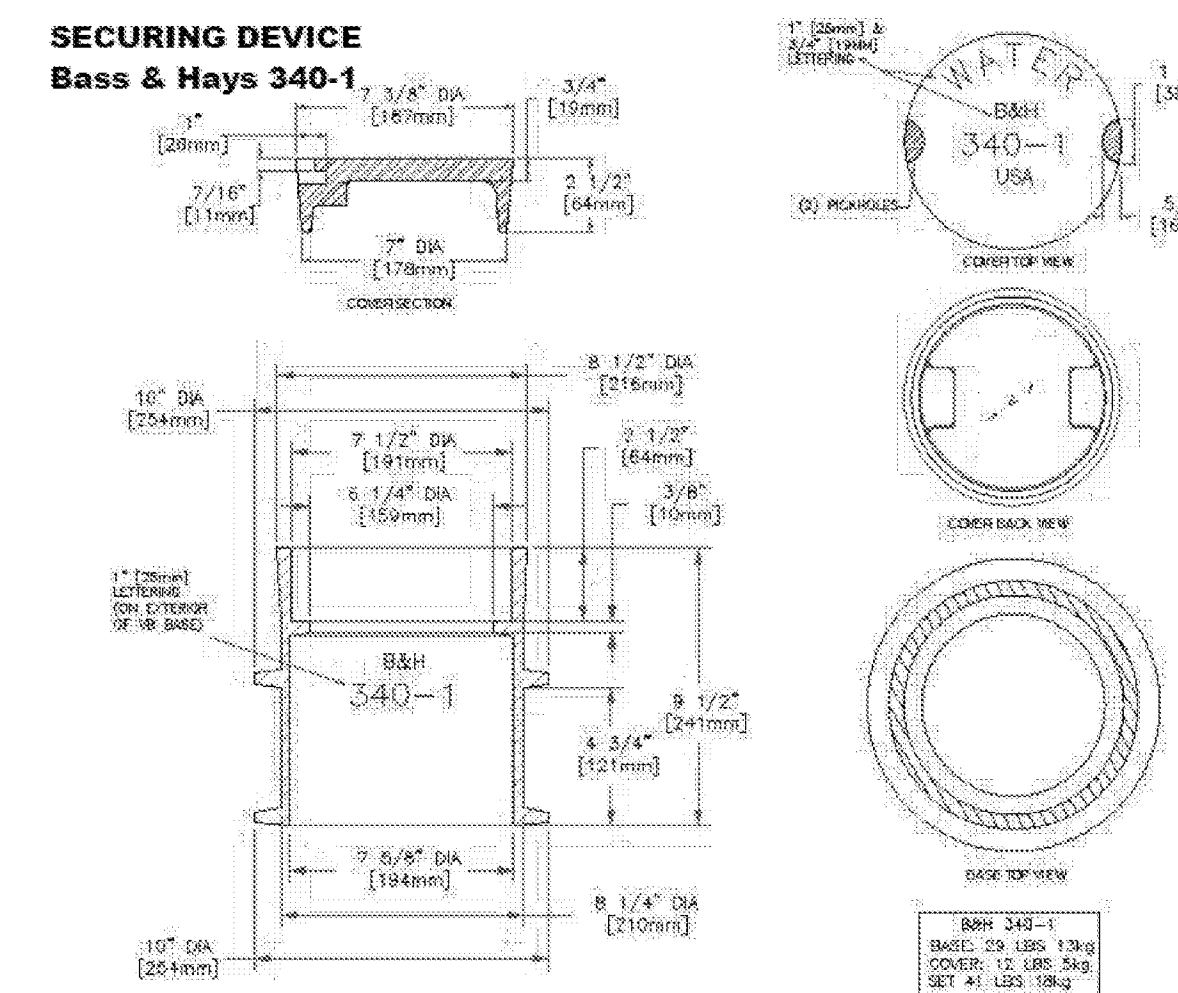
Grease Interceptor Design Specifications—Inlet and Outlet Sanitary Tee Details



2 INLET TEE DETAIL
P7.3 N.T.S.



3 OUTLET TEE DETAIL
P7.3 N.T.S.



4 SECURITY DEVICE DETAIL
P7.3 N.T.S.

	H-M COMPANY 1000 GILBERT AVENUE CONROCK, LOUISIANA 70338 TELEPHONE: (504) 241-1812 FAX: (504) 241-4912 TELEFAX: (504) 241-4912	Installation Drawing Drain Trough
	www.draintroughs.com	

Above Ground Installation

In Ground Installation

Notes

Trough is not a sealed unit and therefore requires a trap to be installed after the drain.

5 LAUNDRY TROUGH DRAIN DETAIL
P7.3 N.T.S.

CONTRACTOR NOTE

IT IS THE RESPONSIBILITY OF THE CONTRACTOR TO NOTIFY THE ARCHITECT, LANDLORD AND TENANT OF ANY DISCREPANCIES ENCOUNTERED ON THE PLANS OR IN THE EXISTING SITE CONDITIONS PRIOR TO SUBMISSION OF BID.

BIDDERS ARE TO VISIT THE SITE AND FAMILIARIZE THEMSELVES WITH THE NATURE AND SCOPE OF THE PROJECT. THE BASE BID SHALL REFLECT MODIFICATIONS TO SYSTEMS AND DEVICES AS REQUIRED BY STATE, LOCAL AND FEDERAL CODES. NEITHER INDICATED NOR NOT ON CONTRACT DOCUMENTS, THE SUBMISSION OF A BID WILL BE EVIDENCE THAT SUCH AN EXAMINATION AND COMPLIANCE WITH GOVERNING CODES/REGULATIONS HAS BEEN MADE. LATER CLAIMS FOR LABOR, EQUIPMENT OR MATERIALS REQUIRED, OR FOR OTHER LIABILITIES ENCOUNTERED, WHICH COULD HAVE BEEN FORESEEN HAD AN EXAMINATION AND COMPLIANCE WITH GOVERNING CODES/REGULATIONS REVIEW BEEN MADE, WILL NOT BE ALLOWED.

pi architects
 3500 Jefferson St. Suite 303
 Austin, TX 78731
 P: (512) 231-1910
 F: (512) 231-1950
 www.piarch.com
 architecture • master
 interior • landscape
 architecture

PE Services
 ENGINEERING FOR THE MIDDLE
 www.pe-services.com
 1-800-987-0000

These plans have been properly examined by the undersigned. I have determined that they comply with existing local Louisiana codes, and have been properly site adapted to use in this area.

STATE OF LOUISIANA
 ROBERT M. HOOVER
 License No. 39319
 PROFESSIONAL ENGINEER

**WATERSTONE AT BATON ROUGE
 ASSISTED LIVING & MEMORY CARE**

SIEGEN LANE
 BATON ROUGE, LA 70810

ISSUE: PERMIT SET

©2015, PI ARCHITECTS, INC.
 REVISIONS:

DATE: 03/31/2016
 PROJECT NUMBER: PES 15090
 SHEET TITLE:

PLUMBING DETAILS

SHEET:

P7.3