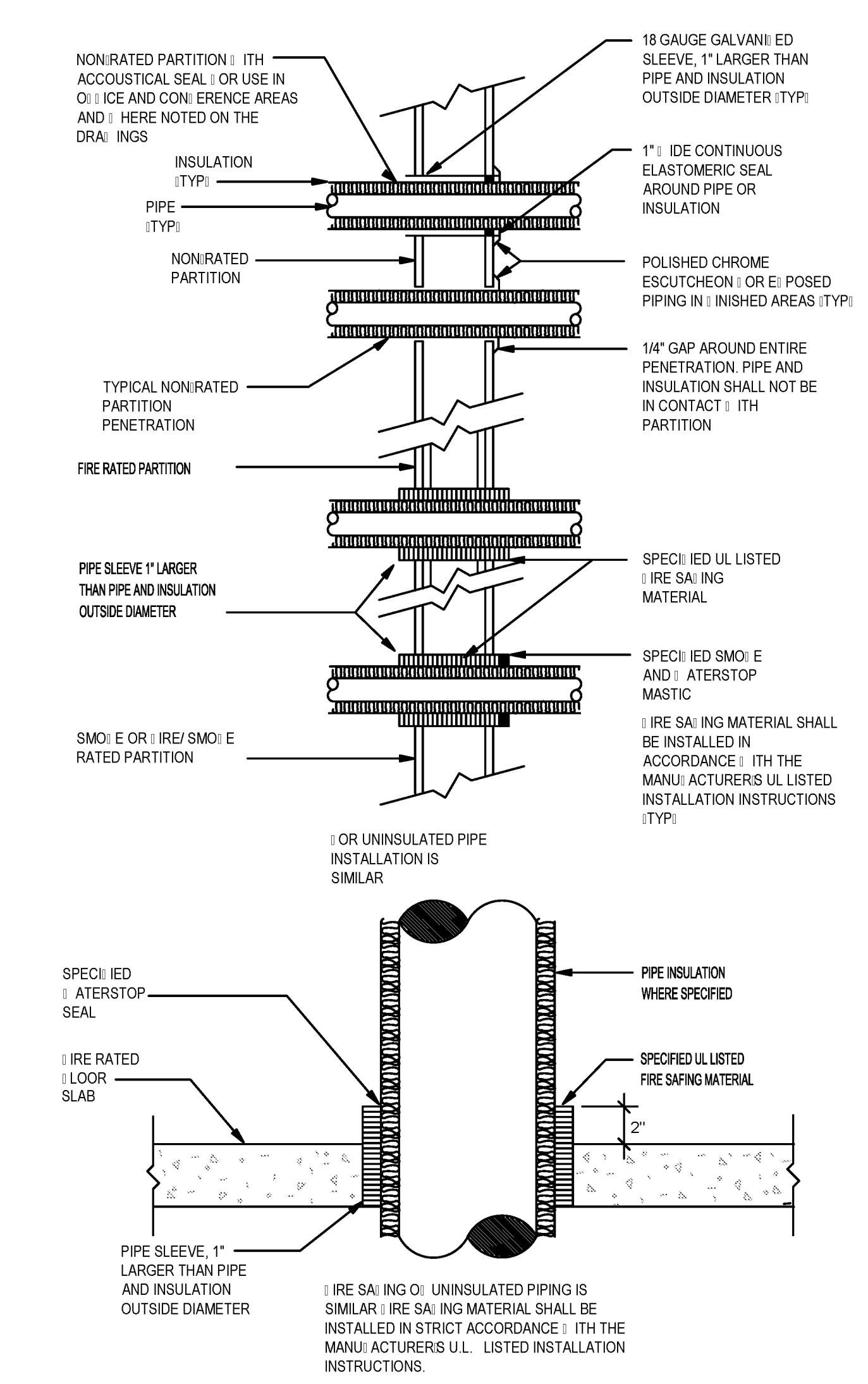
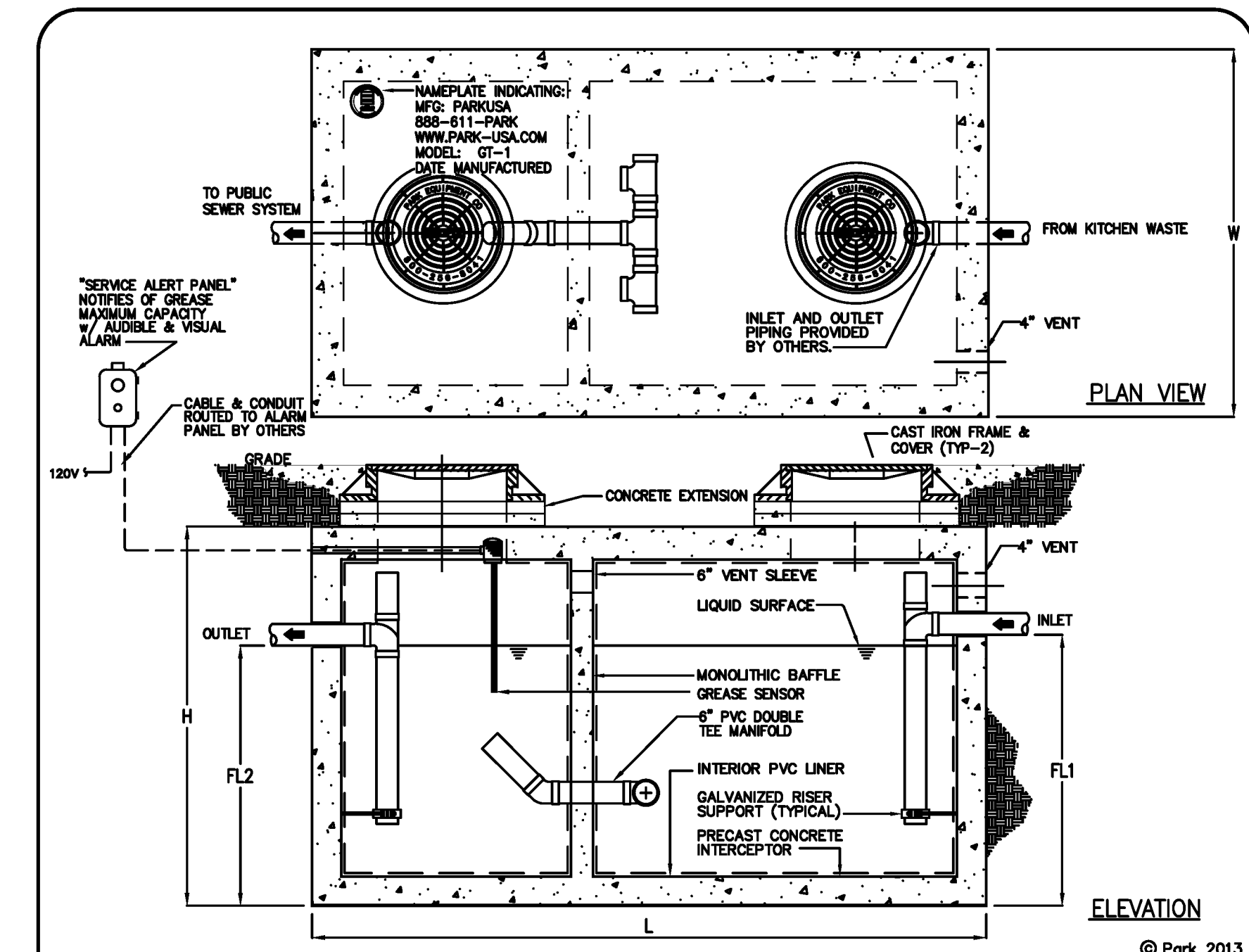


1 | SUMP PUMP DETAIL  
 P7.2 NTS



2 | TYPICAL PIPING PENETRATION DETAILS



**Grease Trooper**

Typical applications include commercial and industrial food service kitchens where excessive grease may interfere with the proper drainage of the sewer system. The grease interceptor is generally buried below grade for gravity-flow sewer systems. A sample well is utilized on the outlet side for sampling by the local water authority.

**Specifications:**  
 CONCRETE: Cast 1/2" concrete with design strength of 4000 PSI at 28 days. Unit is of monolithic construction of floor, first stage of wall and baffle with section floor to required depth. Monolithic baffle required, slide-in type is not acceptable.  
 REINFORCEMENT: Grade 60 rebar/rod with steel rebar conforming to ASTM A615 on required centers or equal.  
 C.I. CASTINGS: Manhole frames, covers or grates are manufactured of heavy cast iron conforming to ASTM A48-76 Class 20. Manhole shall be nominal 24 inch diameter and be traffic duty.

**Engineering Data:**  
 The grease interceptor is structurally & hydraulically engineered to conform to UPC and regional plumbing codes recommended in most cities. Consult with local authorities for specific application requirements.  
 Shop drawings shall include complete structural & buoyancy calculations certified by a licensed professional engineer upon request.  
 Consult with Park Equipment Company for exact excavation dimensions & shipping information.

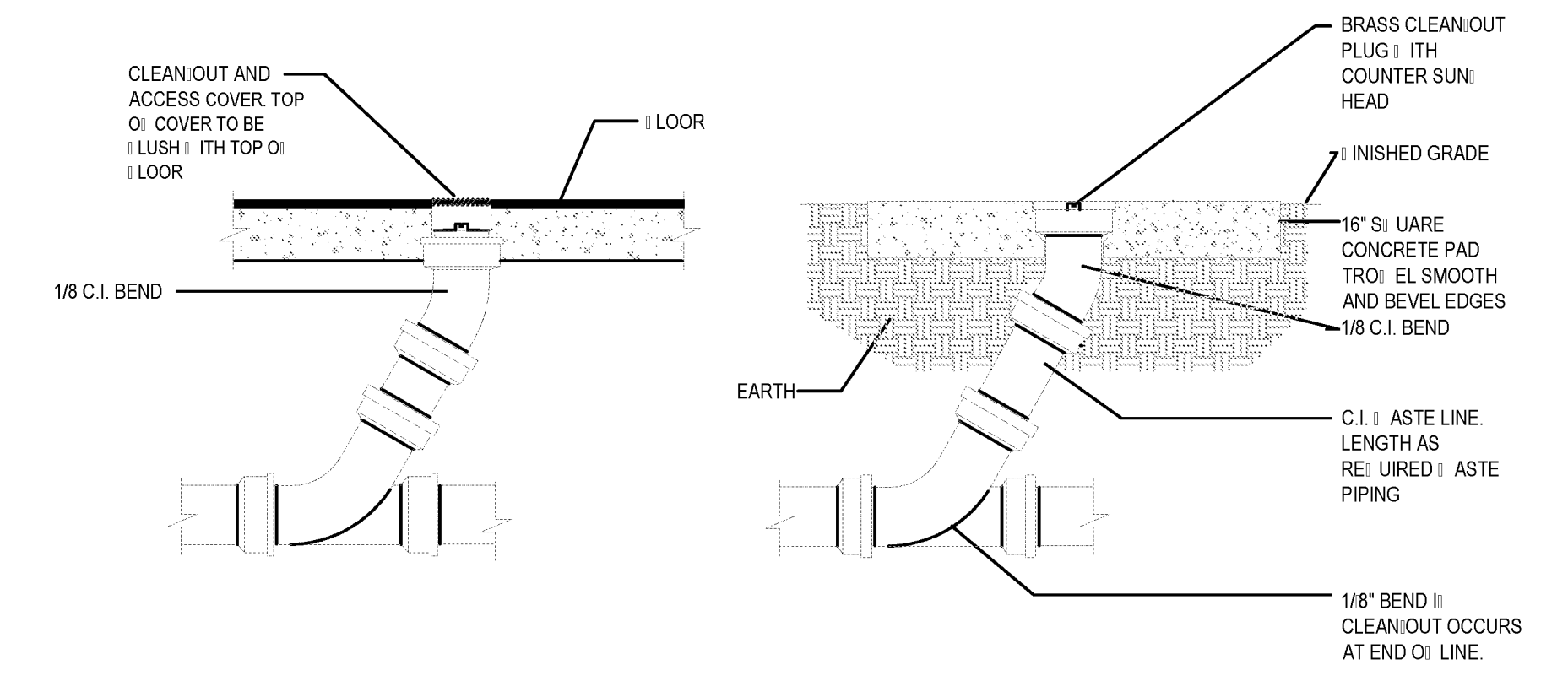
MODEL NO.	CAPACITY USGA	GREASE CAP. (LBS)	EMPTY WT (LBS)	LENGTH L	WIDTH W	HEIGHT H	INLET FL1	OUTLET FL2
GT-1500	1,500	3,500	16,050	9'-2"	5'-2"	7'-0"	5'-4"	5'-4"

OTHER SIZES ARE AVAILABLE. CONTACT US FOR MORE INFORMATION.

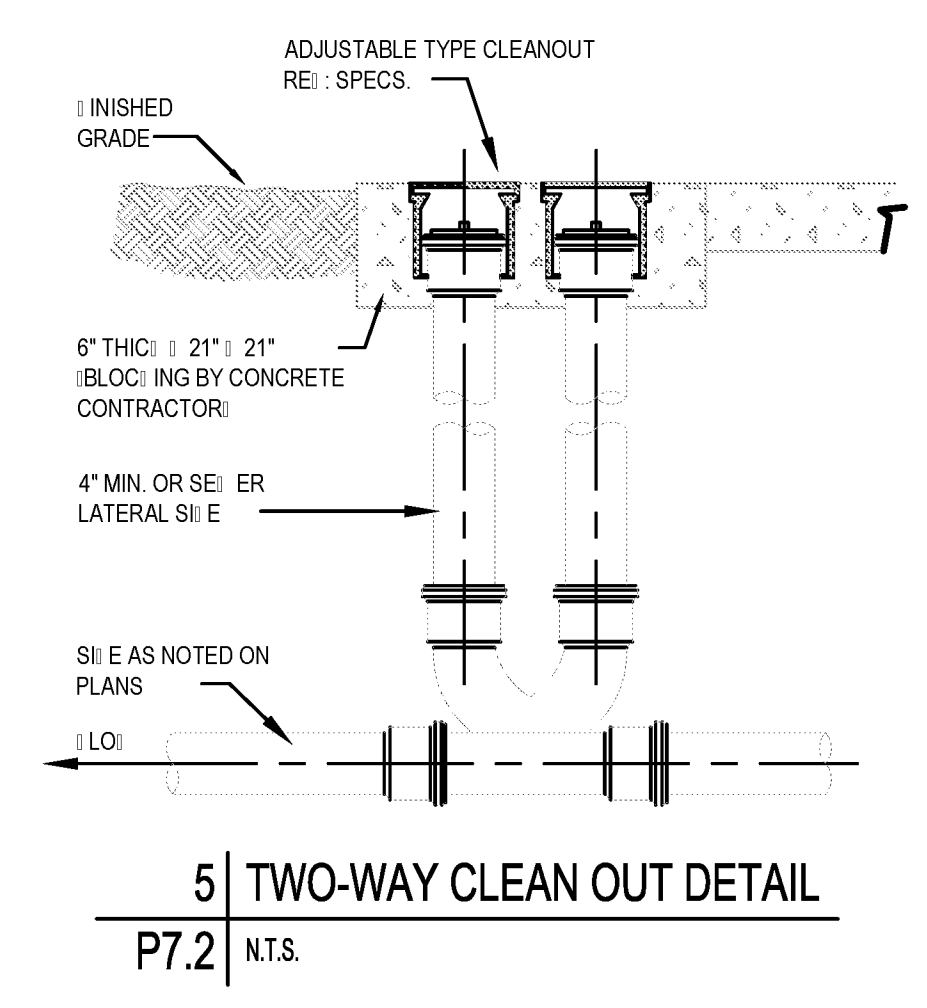
**GREASE INTERCEPTOR SERIES GT  
 500 THRU 4000 GALLON CAPACITY**

SCALE: NONE DWG. NO. GI-1 REV. A  
 DATE: 03/13

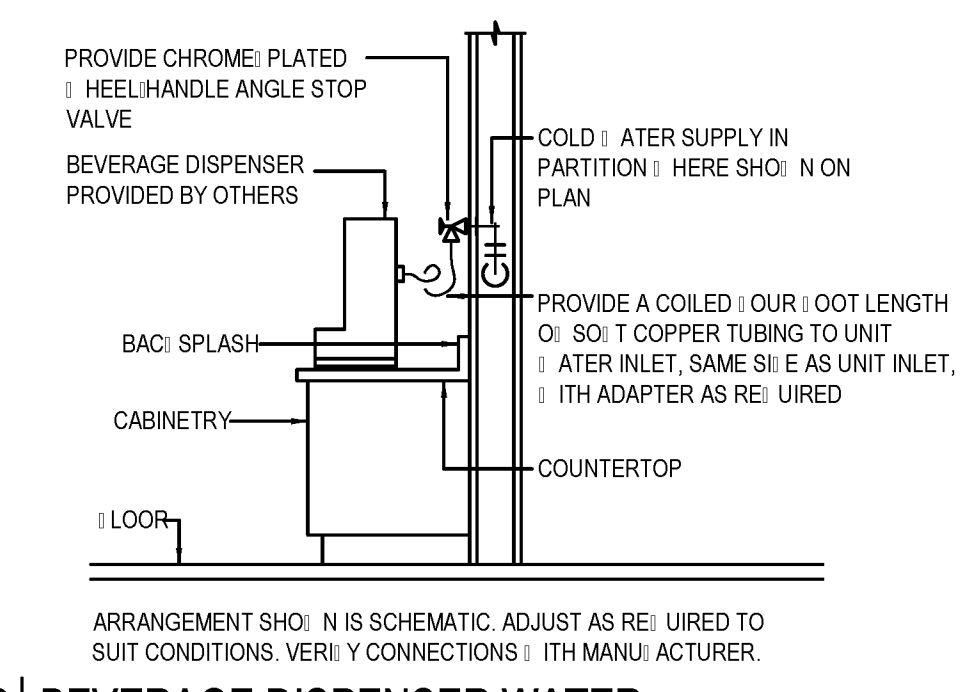
3 | GREASE INTERCEPTOR  
 P7.2 NTS



4 | CLEANOUT DETAILS  
 P7.2 NTS



5 | TWO-WAY CLEAN OUT DETAIL  
 P7.2 NTS



6 | BEVERAGE DISPENSER WATER  
 P7.2 NTS

CONTRACTOR NOTE  
 IT IS THE RESPONSIBILITY OF THE CONTRACTOR TO NOTIFY THE ARCHITECT, LANDLORD AND TENANT OF ANY DISCREPANCIES ENCOUNTERED ON THE PLANS OR IN THE EXISTING SITE CONDITIONS PRIOR TO SUBMISSION OF BID.  
 BIDDERS ARE TO VISIT THE SITE AND FAMILIARIZE THEMSELVES WITH THE EXISTING CONDITIONS AND SATISFY THEMSELVES AS TO THE NATURE AND SCOPE OF THE WORK. THE BASE BID SHALL REFLECT MODIFICATIONS TO SYSTEMS AND DEVICES AS REQUIRED BY STATE, LOCAL AND FEDERAL CODES. WHETHER INDICATED OR NOT ON CONTRACT DOCUMENTS, THE SUBMISSION OF A BID WILL BE EVIDENCE THAT SUCH AN EXAMINATION AND COMPLIANCE WITH GOVERNING CODES/REGULATIONS HAS BEEN MADE. LATER CLAIMS FOR LABOR, EQUIPMENT, OR MATERIALS REQUIRED, OR FOR OTHER COSTS ENCOUNTERED WHICH COULD HAVE BEEN FORESEEN HAD AN EXAMINATION AND CODES/REGULATIONS REVIEW BEEN MADE, WILL NOT BE ALLOWED.

BIM Server: Server2012 - BIM Server (18.0)/14017 Concordia-Baton Rouge | Ver: 18.001 | Wednesday, September 02, 2015 | 4:04 PM