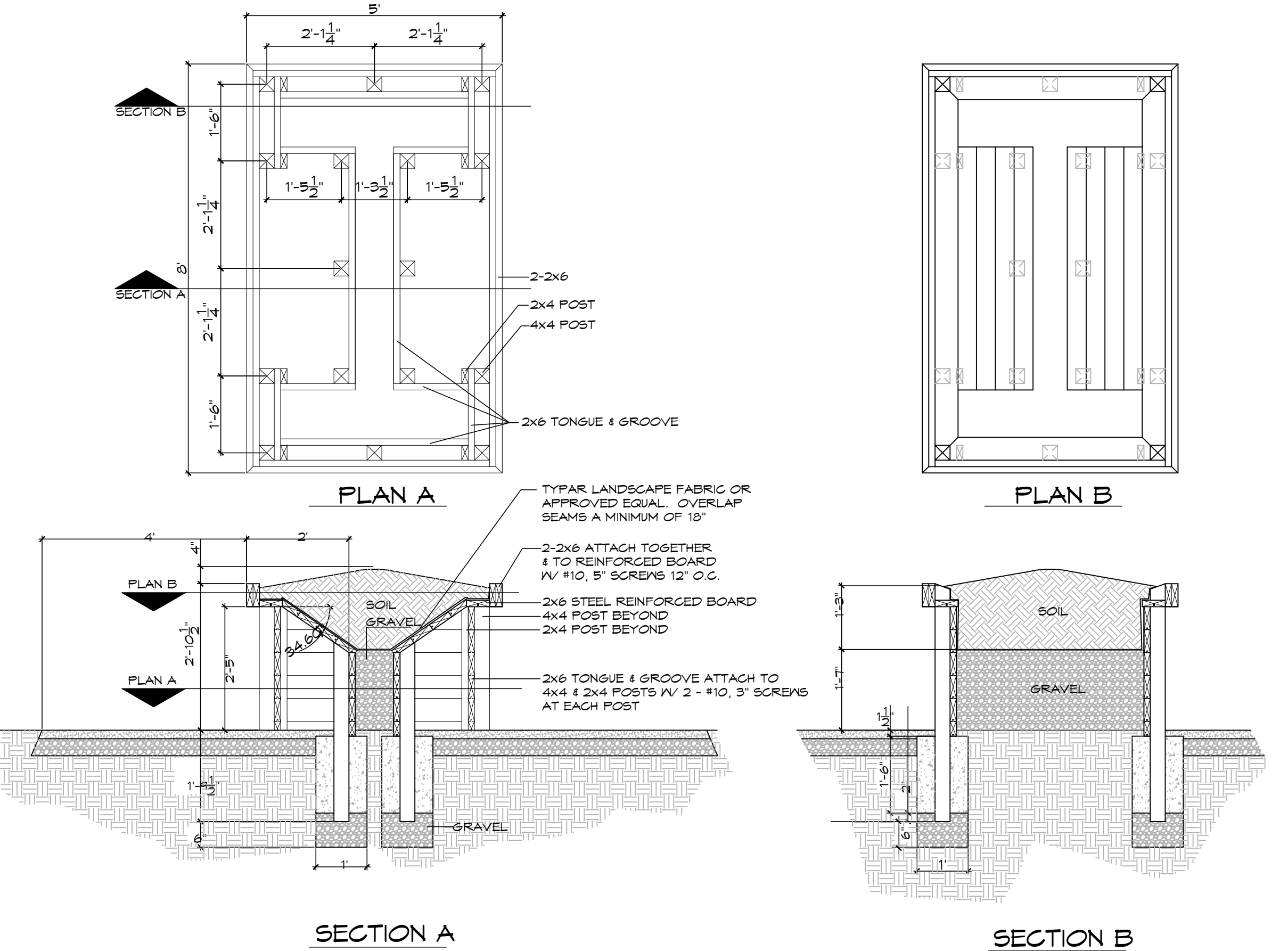
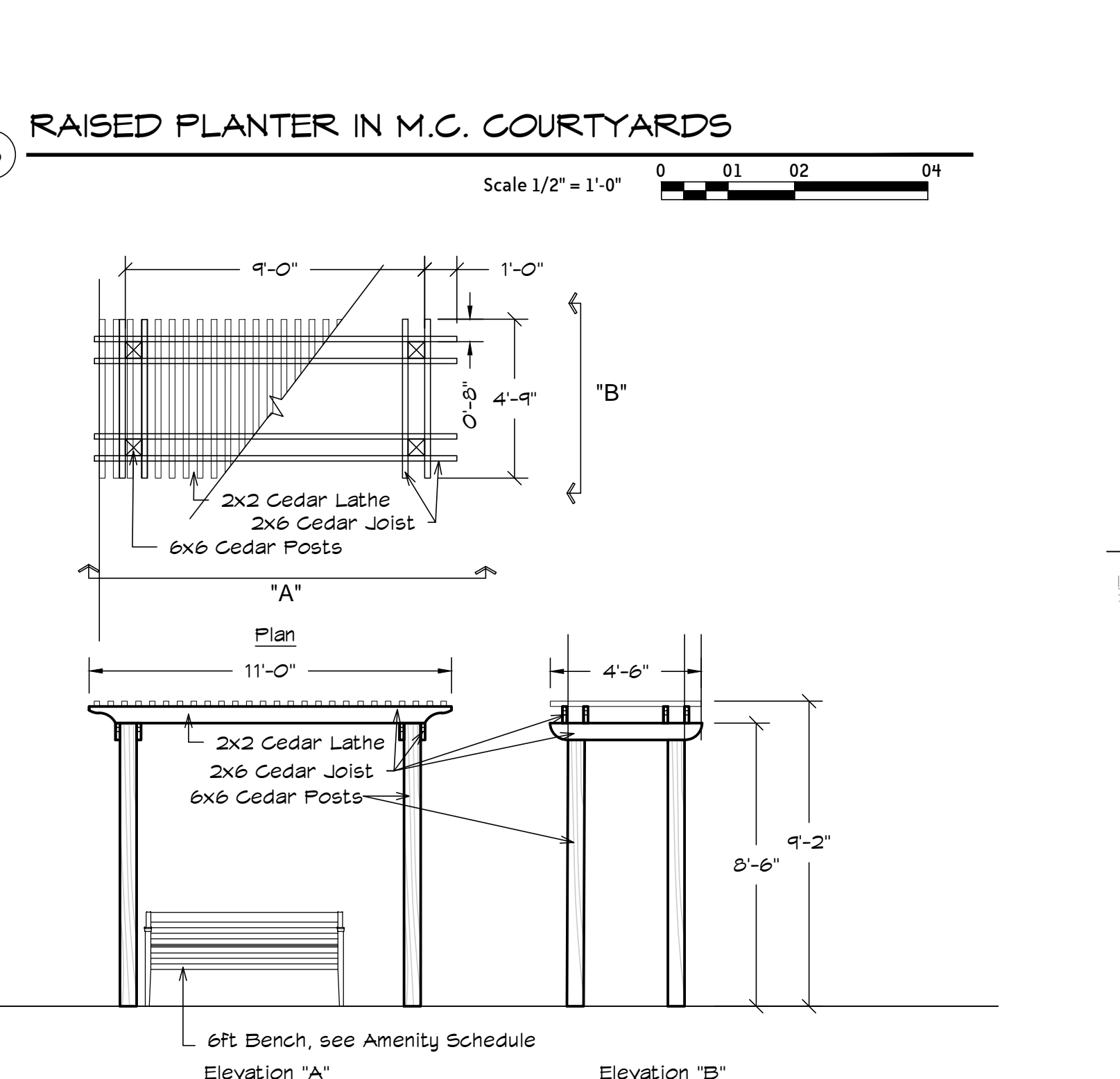
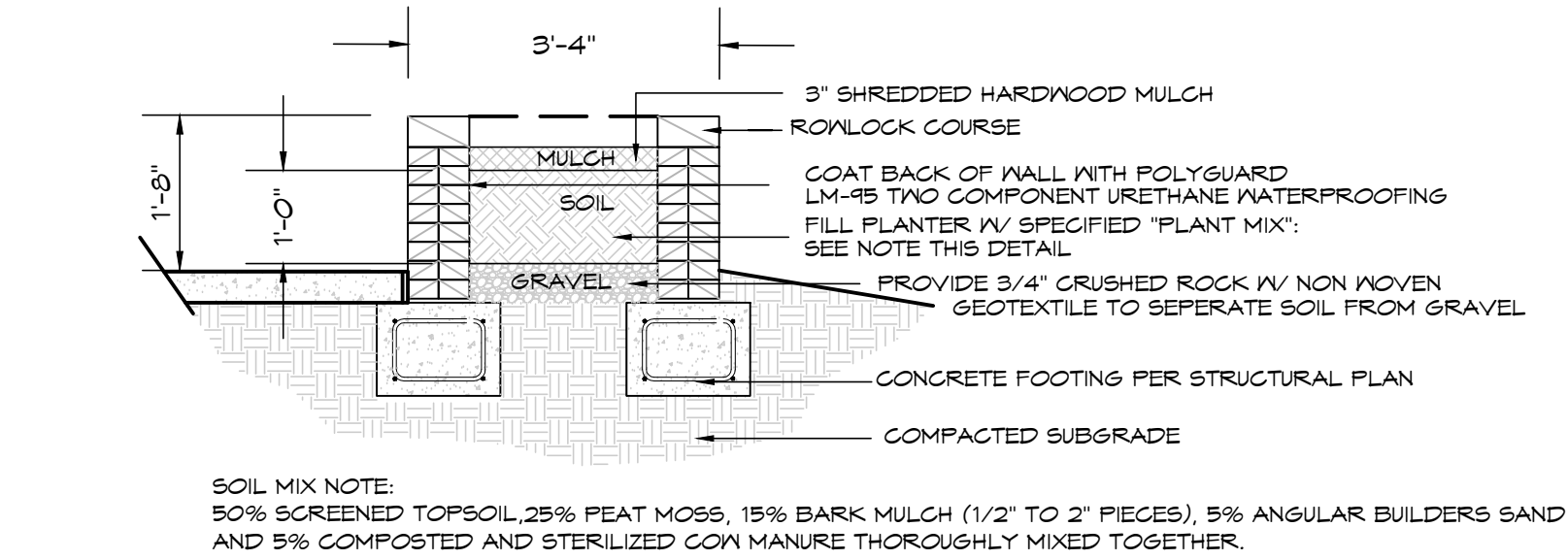
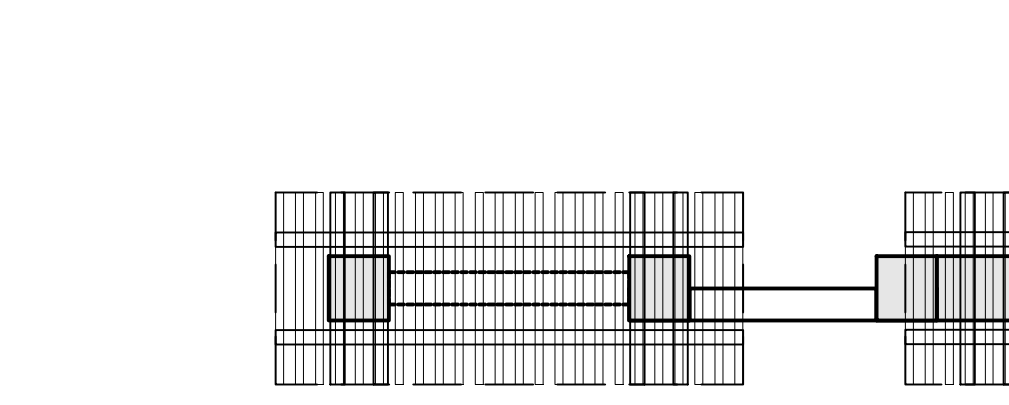
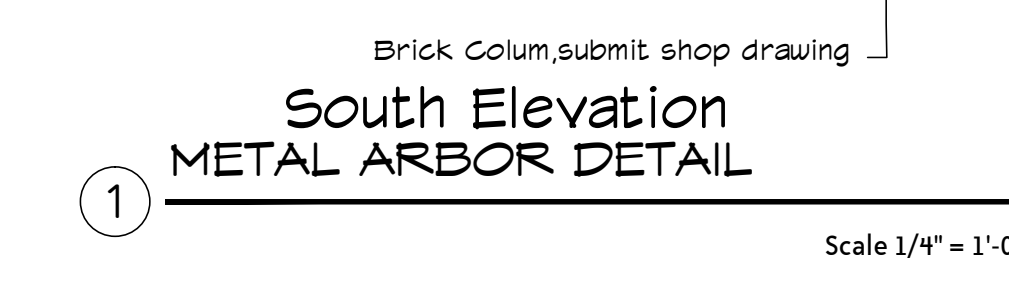
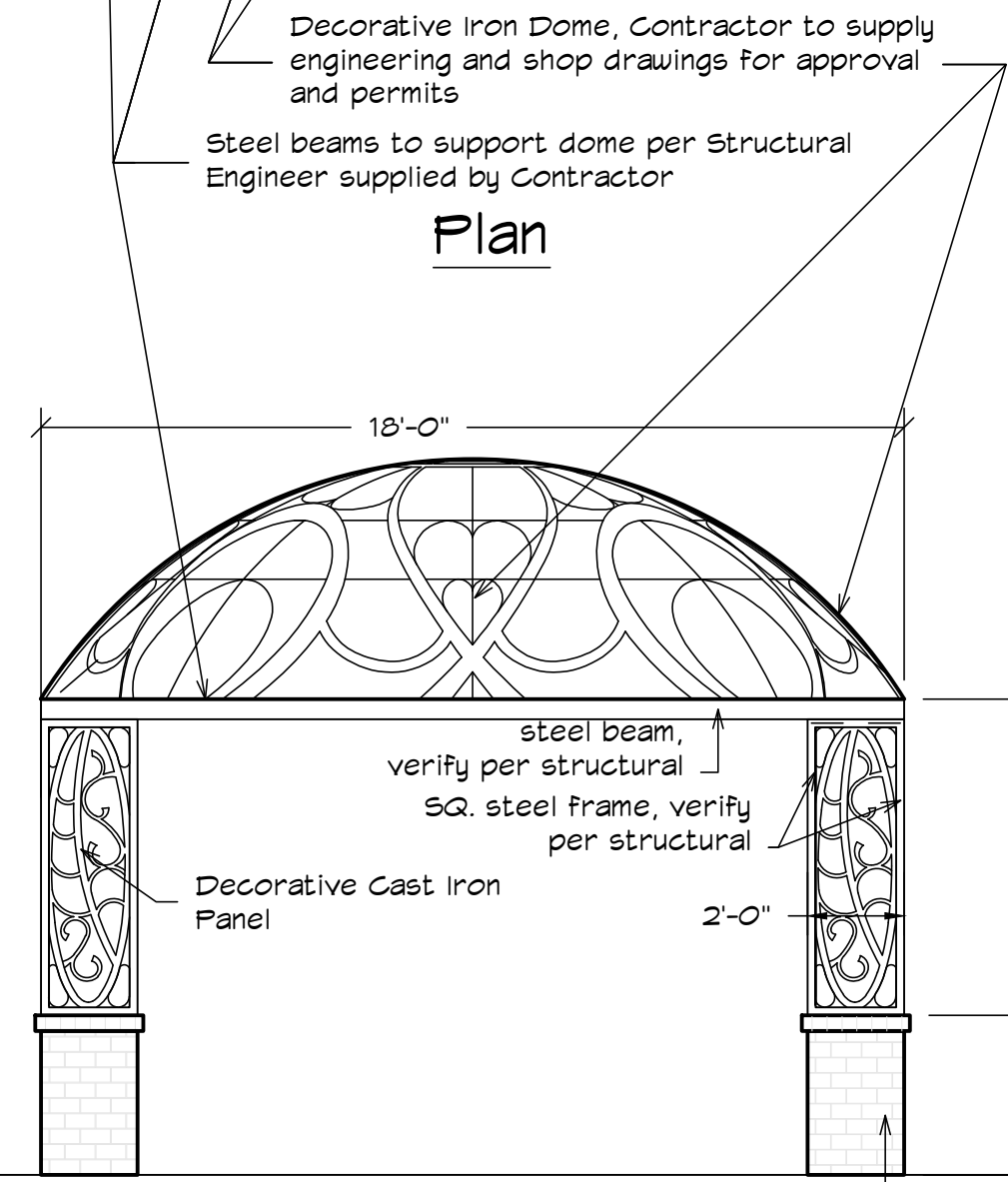
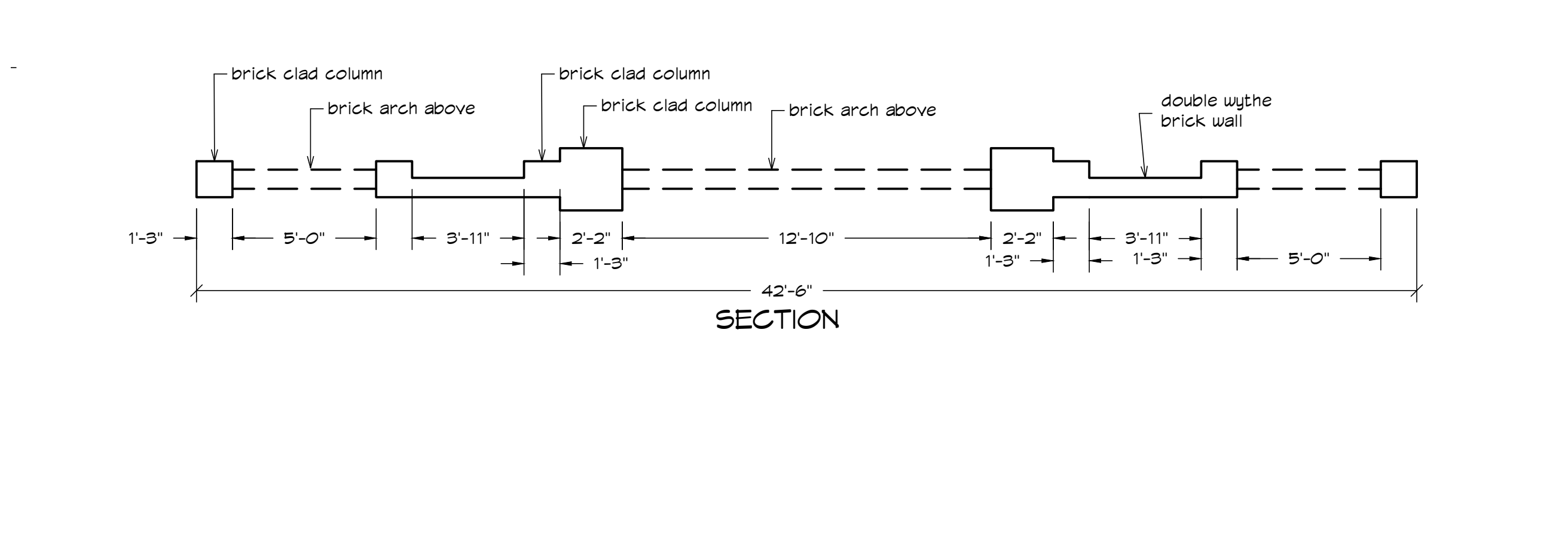
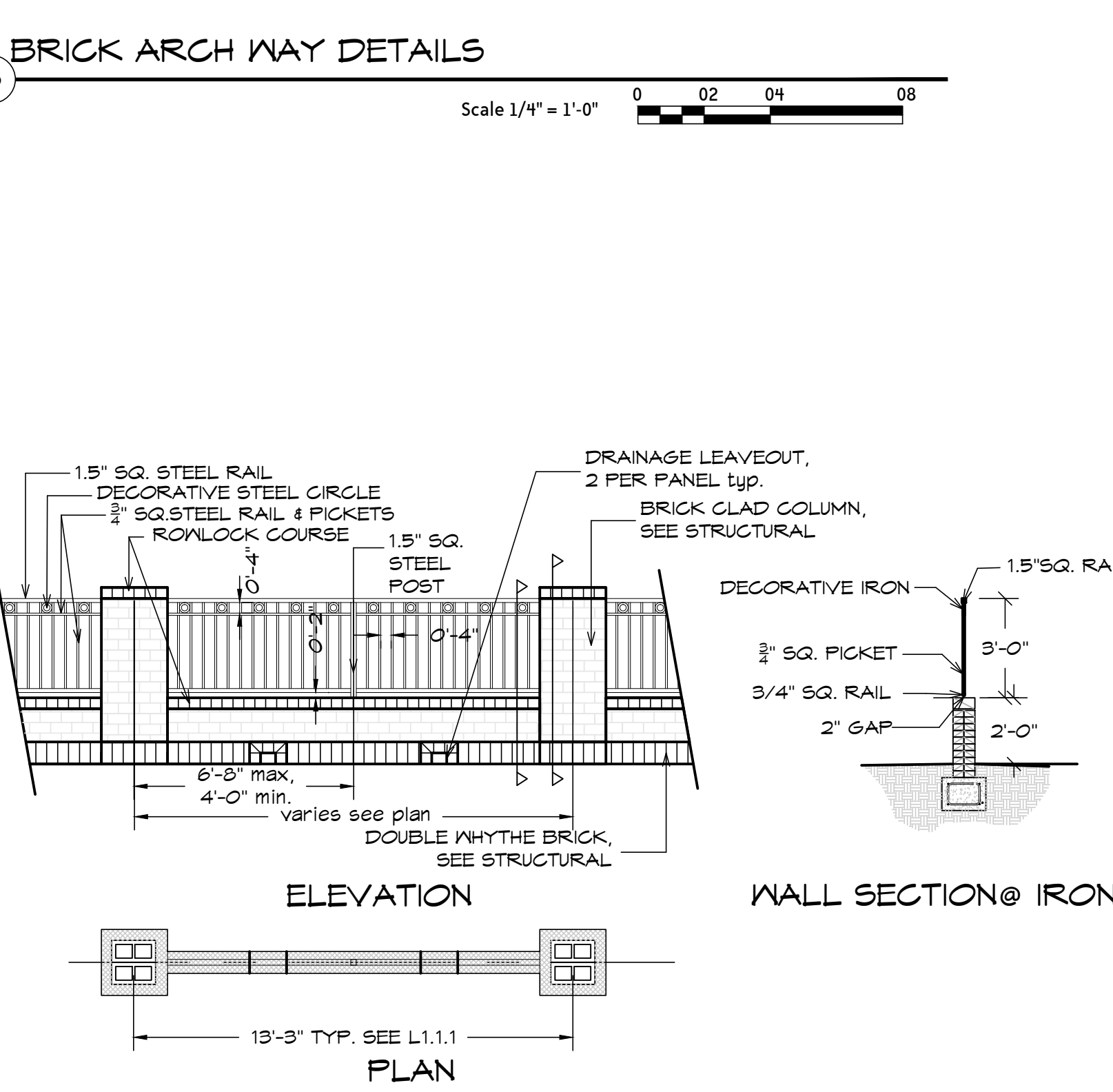
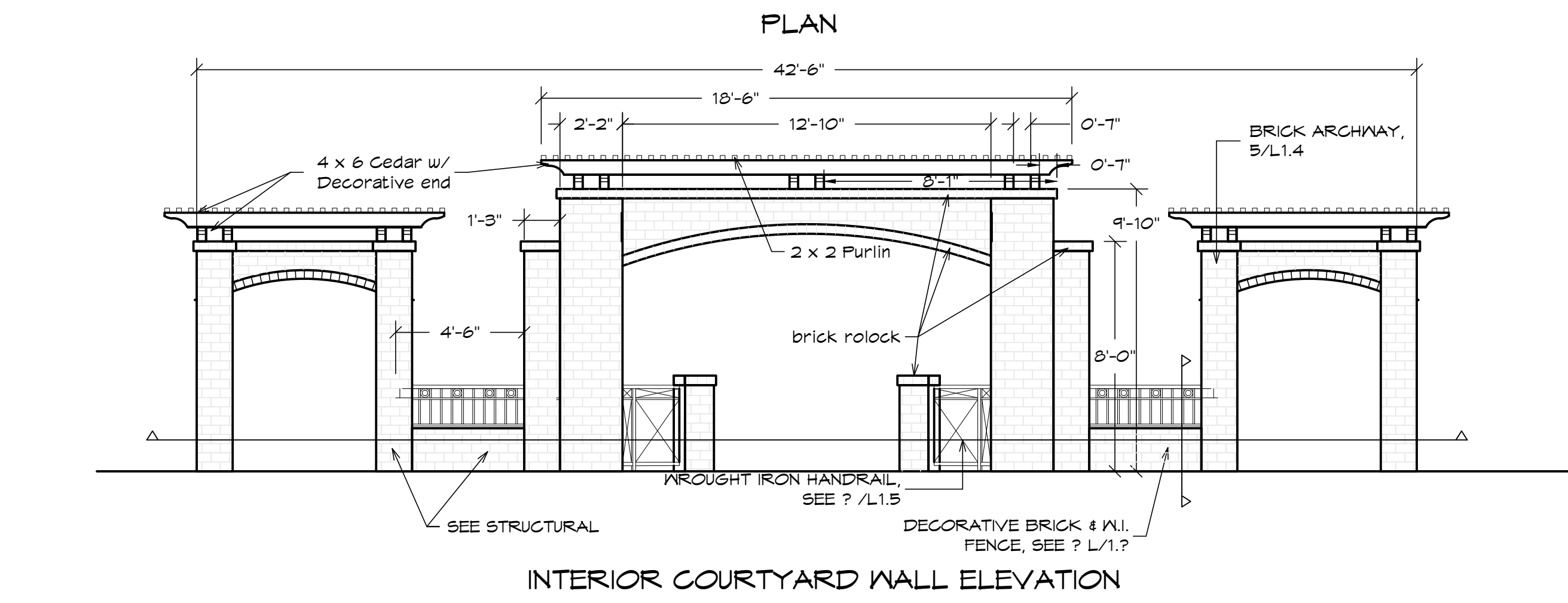
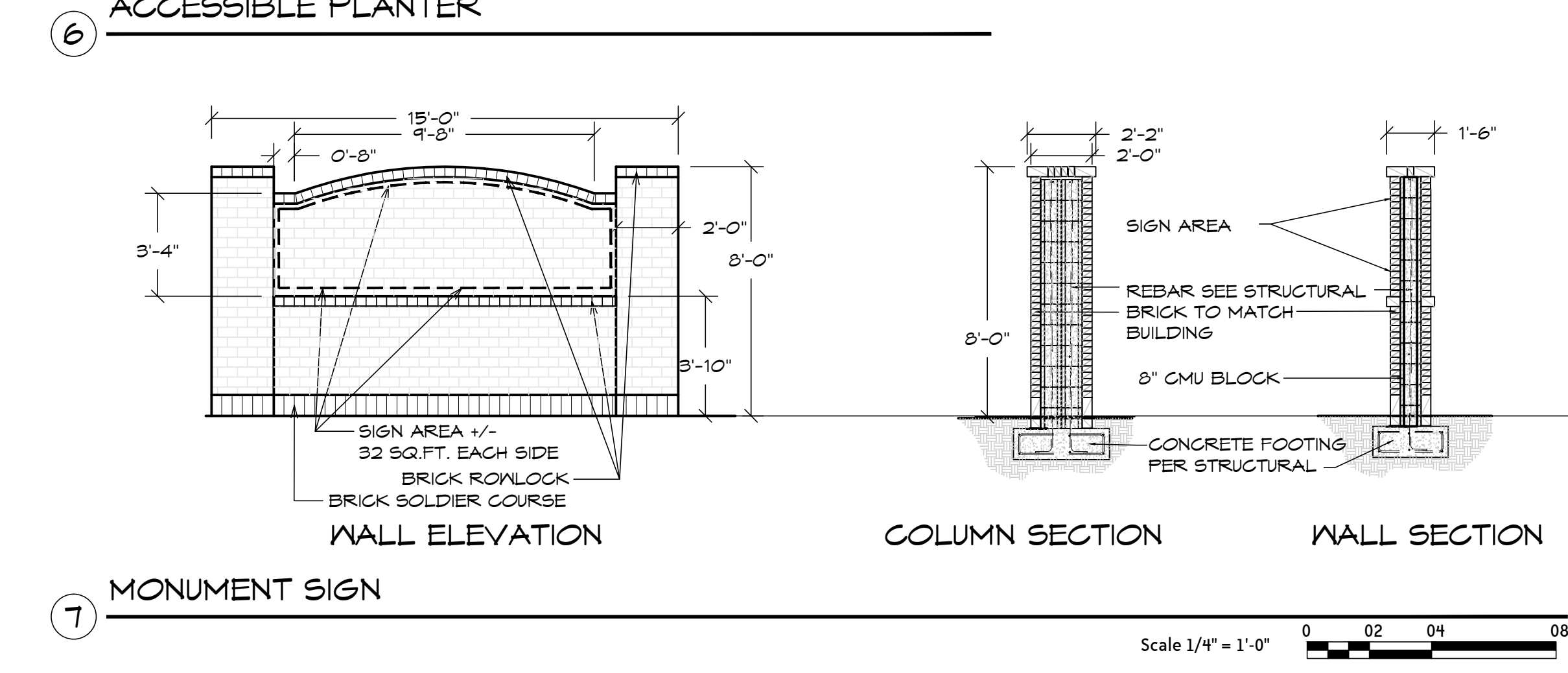
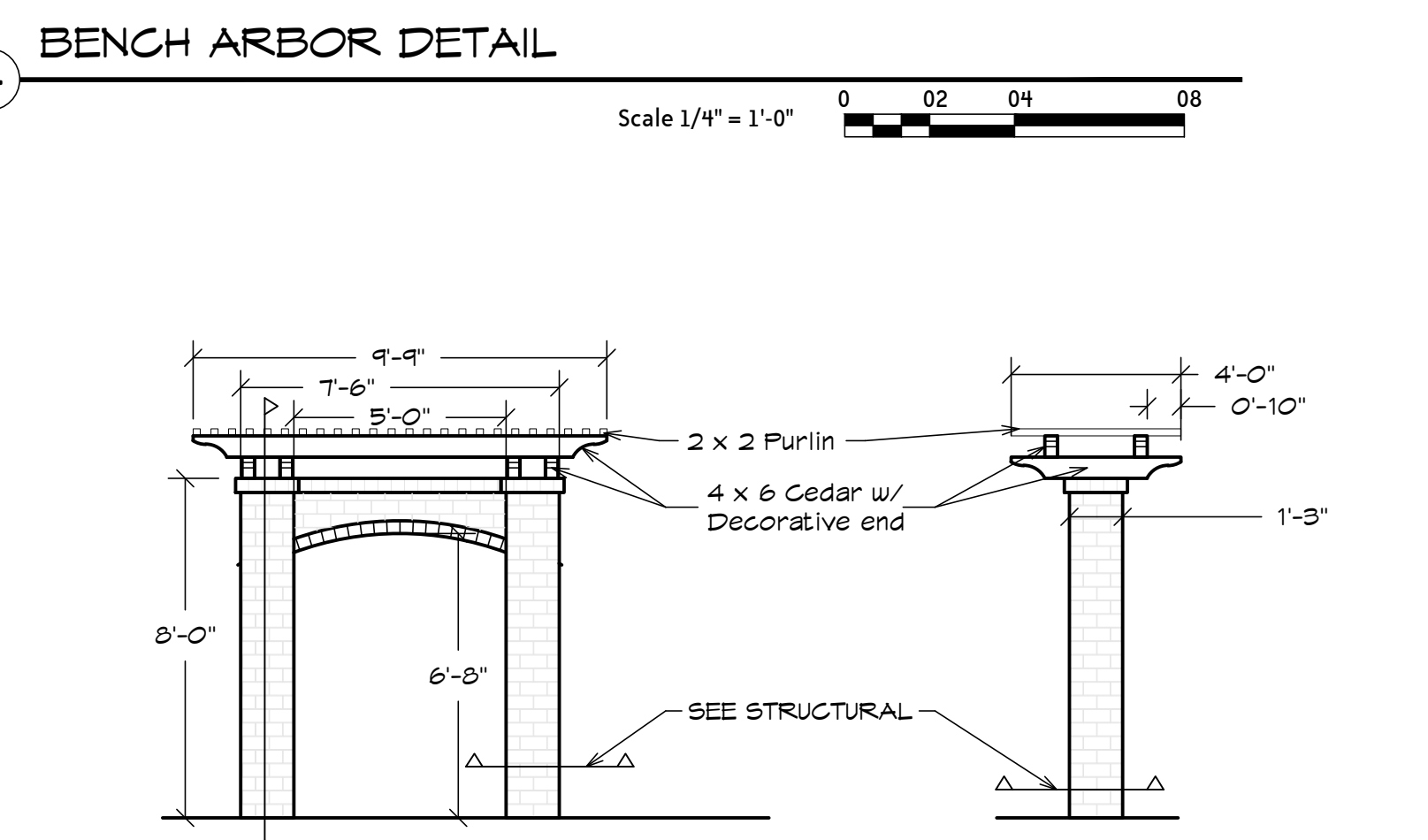


- Decorative Iron Design Intent**
- Refer to images for examples of elements to be included. Contractor to provide Conceptual Design Drawings with budgets for design and budget approval prior to finalizing contract for arbor construction.
 - Contractor to provide shop drawings for all decorative elements of structure for approval by owner and Landscape Architect prior to fabrication.
 - Contractor shall obtain all required Structural design, and permits required for the construction of the structure and supporting structures as a part of his work and separate from the Building and Landscape work. Dimensions provided are to define the overall size and location of the structure. All final dimensions, steel gauges etc. are to be per the Shop Drawings and associated Structural and Permit drawings.
 - Contractor to coordinate timing and access with General Contractor and Owner and follow all applicable worksite rules and standards.
 - All steel and iron shall be painted to match the railings and other decorative iron work found in the Architectural drawings and per the project specifications.



- NOTES:**
- ALL LUMBER IS TO BE BEAR BOARD PLASTIC LUMBER, OR APPROVED EQUAL.
 - ALL FASTENERS ARE TO BE A MINIMUM #10 STAINLESS STEEL SCREWS.
 - ALL FASTENER HOLES ARE TO BE PRE-DRILLED AND ALL FASTENERS ARE TO BE COUNTERSUNK.
 - SOIL IN PLANTER SHALL BE 50% SCREENED TOPSOIL, 25% FEAT MOSS, 15% BARK MULCH (1/2" TO 2" PIECES), 5% ANGULAR BUILDERS SAND AND 5% COMPOSTED AND STERILIZED COV MANURE THOROUGHLY MIXED TOGETHER.
 - GRAVEL IN PLANTER SHALL BE CLEAN, FREE DRAINING STONE GRAVEL 2" TO 4" IN DIAMETER, WITH A NEUTRAL PH - LIMESTONE GRAVEL SHALL NOT BE ACCEPTED.



THIS DRAWING, AS AN INSTRUMENT OF SERVICE, IS AND SHALL REMAIN THE PROPERTY OF PI ARCHITECTS AND SHALL NOT BE REPRODUCED, PUBLISHED OR USED IN ANY WAY WITHOUT THE PERMISSION OF PI ARCHITECTS

NOTE: BEWARE: UNDERGROUND UTILITIES IN PLACE, INCLUDING ELECTRICAL, GAS, WATER, SEWER, TELEPHONE, AND OTHERS. CONSULT PROJECT ENGINEER PRIOR TO CONSTRUCTION. ALL UTILITIES TO BE FLAGGED AND IDENTIFIED. LANDSCAPE CONTRACTOR RESPONSIBILITY.

I:\00-Projects\2016\14017 Concordia Baton Rouge LA\00-Project Drawings\L1 Hardscape.dwg FTI, Apr 01, 2016, 1:50pm