

607.4.1.1 BACK WALL. TWO GRAB BARS SHALL BE INSTALLED ON THE BACK WALL, ONE LOCATED IN ACCORDANCE WITH 609.4 AND THE OTHER LOCATED 18 INCHES (457 MM) MINIMUM AND 19 INCHES (483 MM) MAXIMUM ABOVE THE RIM OF THE BATHTUB. EACH GRAB BAR SHALL BE INSTALLED 15 INCHES (381 MM) MAXIMUM FROM THE HEAD END WALL AND 12 INCHES (305 MM) MAXIMUM FROM THE CONTROL END WALL.

607.4.1.2 CONTROL END WALL. A GRAB BAR 24 INCHES (610 MM) LONG MINIMUM SHALL BE INSTALLED ON THE CONTROL END WALL AT THE FRONT EDGE OF THE BATHTUB.

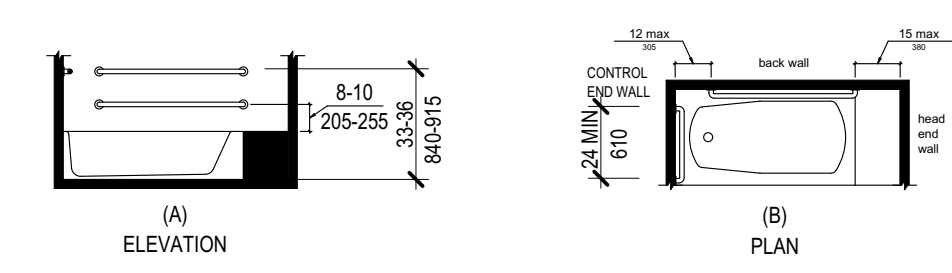


FIGURE 607.4.1 GRAB BARS FOR BATHTUBS WITH PERMANENT SEATS

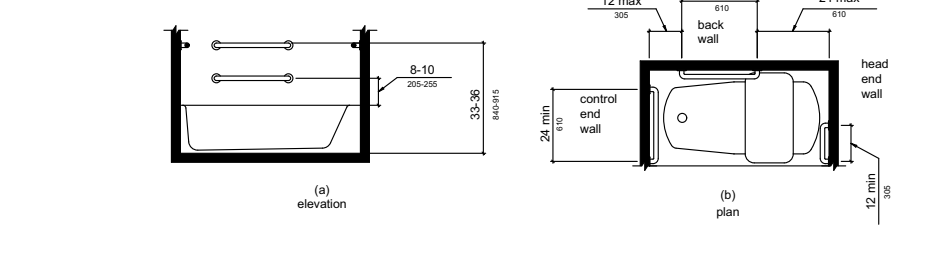


FIGURE 607.4.2 GRAB BARS FOR BATHTUBS WITH REMOVABLE IN-TUB SEATS

607.4.2 BATHTUBS WITHOUT PERMANENT SEATS. FOR BATHTUBS WITHOUT PERMANENT SEATS, GRAB BARS SHALL COMPLY WITH 607.4.2.

607.4.2.1 BACK WALL. TWO GRAB BARS SHALL BE INSTALLED ON THE BACK WALL, ONE LOCATED IN ACCORDANCE WITH 609.4 AND THE OTHER LOCATED 18 INCHES (457 MM) MINIMUM AND 19 INCHES (483 MM) MAXIMUM ABOVE THE RIM OF THE BATHTUB. EACH GRAB BAR SHALL BE 24 INCHES (610 MM) LONG MINIMUM AND SHALL BE INSTALLED FROM THE HEAD END WALL AND 12 INCHES (305 MM) MAXIMUM FROM THE CONTROL END WALL.

607.4.2.2 CONTROL END WALL. A GRAB BAR 24 INCHES (610 MM) LONG MINIMUM SHALL BE INSTALLED ON THE CONTROL END WALL AT THE FRONT EDGE OF THE BATHTUB.

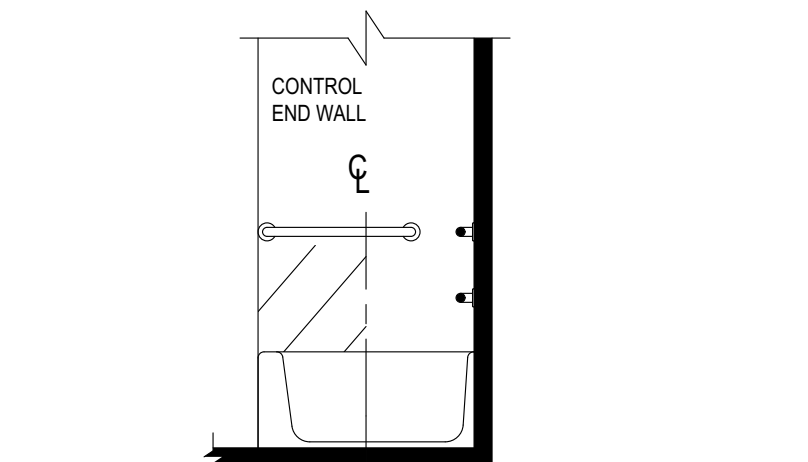


FIGURE 607.5 BATHTUB CONTROL LOCATION

607.5 CONTROLS. CONTROLS, OTHER THAN DRAIN STOPPERS, SHALL BE LOCATED ON AN END WALL OPPOSITE THE BACK WALL. CONTROLS SHALL BE LOCATED BETWEEN THE BATHTUB RIM AND GRAB BAR, AND BETWEEN THE OPEN SIDE OF THE BATHTUB AND THE CENTERLINE OF THE WIDTH OF THE BATHTUB. CONTROLS SHALL COMPLY WITH 309.4.

607.6 SHOWER SPRAY UNIT AND WATER. A SHOWER SPRAY UNIT WITH A HOSE 59 INCHES (1500 MM) LONG MINIMUM THAT CAN BE USED BOTH AS A FIXED POSITION SHOWER HEAD AND AS A HAND-HELD SHOWER SHALL BE PROVIDED. THE SHOWER SPRAY UNIT SHALL HAVE AN ON/OFF CONTROL, WITH A NON-POSITIVE SHUT-OFF. IF AN ADJUSTABLE-HEIGHT SHOWER HEAD ON A VERTICAL BAR IS USED, THE BAR SHALL BE INSTALLED 30 AS NOT TO OBSTRUCT THE USE OF GRAB BARS. BATHTUB SHOWER SPRAY UNITS SHALL DELIVER WATER THAT IS 120°F (49°C) MAXIMUM.

607.7 BATHTUB ENCLOSURES. ENCLOSURES FOR BATHTUBS SHALL NOT OBSTRUCT CONTROLS, FAUCETS, SHOWER AND SPRAY UNITS OR OBSTRUCT TRANSFER FROM WHEELCHAIRS ONTO BATHTUB SEATS OR INTO BATHTUBS. ENCLOSURES ON BATHTUBS SHALL NOT HAVE TRACKS INSTALLED ON THE RIM OF THE OPEN FACE OF THE BATHTUB.

608 SHOWER COMPARTMENTS

608.2 SIZE AND CLEARANCES FOR SHOWER COMPARTMENTS. SHOWER COMPARTMENTS SHALL HAVE SIZES AND CLEARANCES COMPLYING WITH 608.2.

608.2.1 TRANSFER TYPE SHOWER COMPARTMENTS. TRANSFER TYPE SHOWER COMPARTMENTS SHALL BE 36 INCHES (915 MM) BY 36 INCHES (915 MM) CLEAR INSIDE DIMENSIONS MEASURED AT THE CENTER POINTS OF OPPOSING SIDES AND SHALL HAVE A 36 INCH (915 MM) WIDE MINIMUM ENTRY ON THE FACE OF THE SHOWER COMPARTMENT. CLEARANCE OF 36 INCHES (915 MM) WIDE MINIMUM BY 48 INCHES (1220 MM) LONG MINIMUM SHALL BE PROVIDED FROM THE CONTROL WALL SHALL BE PROVIDED.

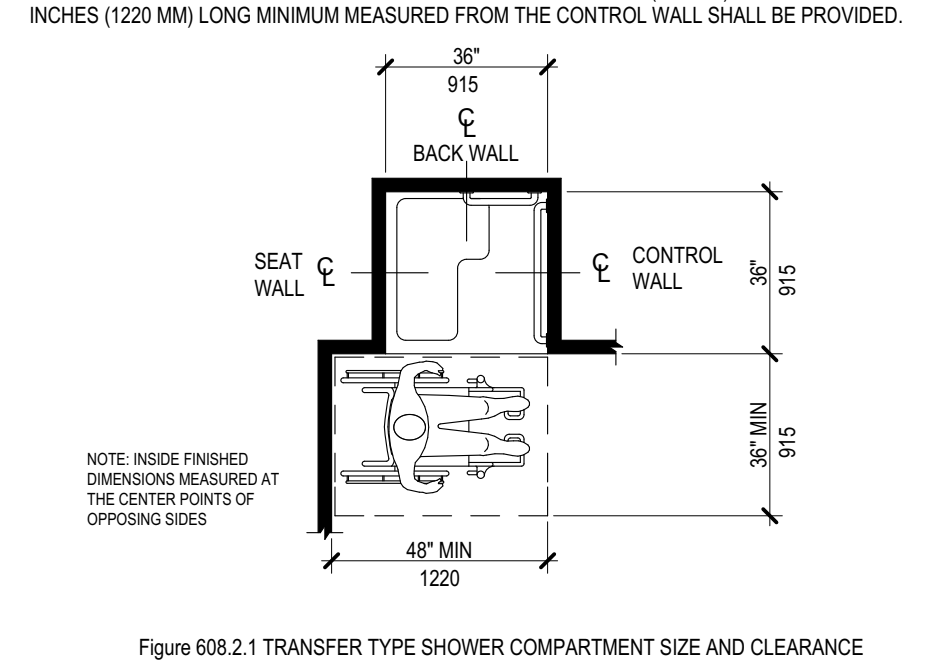


FIGURE 608.2.1 TRANSFER TYPE SHOWER COMPARTMENT SIZE AND CLEARANCE

608.2.2 STANDARD ROLL-IN TYPE SHOWER COMPARTMENTS. STANDARD ROLL-IN TYPE SHOWER COMPARTMENTS SHALL BE 30 INCHES (762 MM) WIDE MINIMUM BY 60 INCHES (1525 MM) DEEP MINIMUM CLEAR INSIDE DIMENSIONS MEASURED AT CENTER POINTS OF OPPOSING SIDES AND SHALL HAVE A 40 INCH (1025 MM) WIDE MINIMUM ENTRY ON THE FACE OF THE SHOWER COMPARTMENT.

608.2.2.1 CLEARANCE. A 30 INCH (762 MM) WIDE MINIMUM BY 60 INCH (1525 MM) LONG MINIMUM CLEARANCE SHALL BE PROVIDED ADJACENT TO THE OPEN FACE OF THE SHOWER COMPARTMENT.

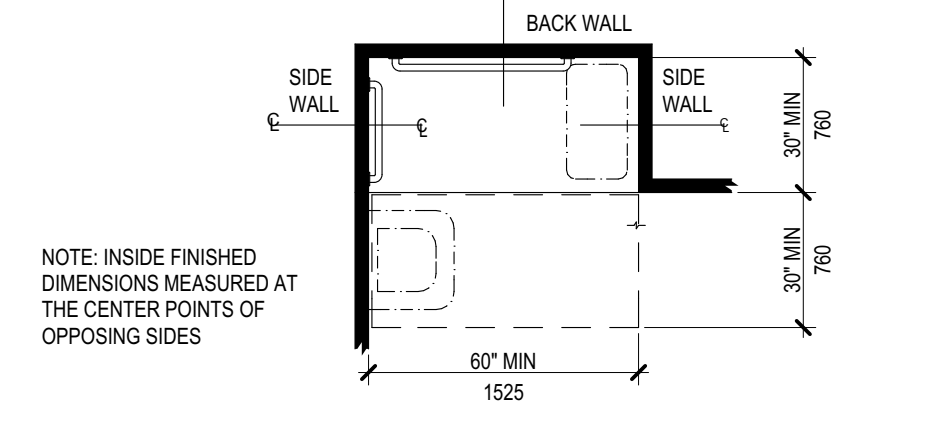


FIGURE 608.2.2 STANDARD ROLL-IN TYPE SHOWER COMPARTMENT SIZE AND CLEARANCE

608.2.2.2 ALTERNATE ROLL-IN TYPE SHOWER COMPARTMENTS. ALTERNATE ROLL-IN TYPE SHOWER COMPARTMENTS SHALL BE 36 INCHES (915 MM) WIDE AND 60 INCHES (1525 MM) DEEP MINIMUM CLEAR INSIDE DIMENSIONS MEASURED AT CENTER POINTS OF OPPOSING SIDES AND SHALL HAVE A 40 INCH (1025 MM) WIDE MINIMUM ENTRY SHALL BE PROVIDED AT ONE END OF THE LONG SIDE OF THE COMPARTMENT.

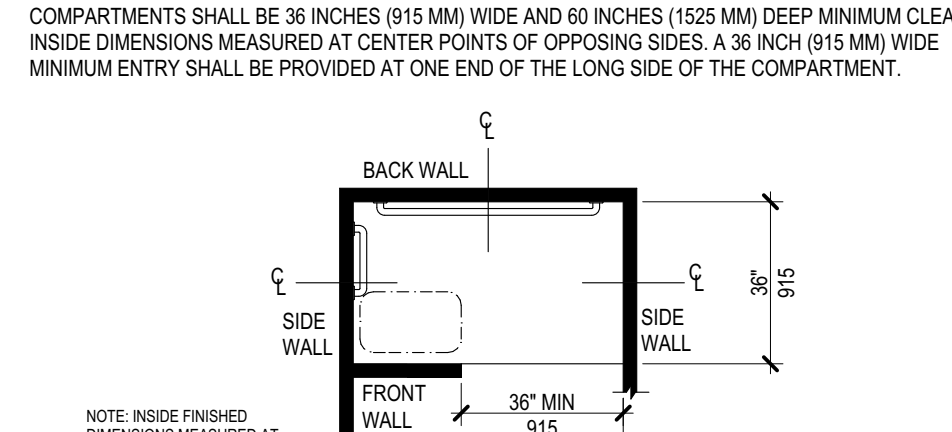


FIGURE 608.2.2.2 ALTERNATE ROLL-IN TYPE SHOWER COMPARTMENT SIZE AND CLEARANCE

608.3 GRAB BARS. GRAB BARS SHALL COMPLY WITH 609.4 AND SHALL BE PROVIDED IN ACCORDANCE WITH 608.3 WHERE MULTIPLE GRAB BARS ARE USED. REQUIRED HORIZONTAL GRAB BARS SHALL BE INSTALLED AT THE SAME HEIGHT ABOVE THE FINISH FLOOR.

608.3.1 TRANSFER TYPE SHOWER COMPARTMENTS. TRANSFER TYPE SHOWER COMPARTMENTS. GRAB BARS SHALL BE PROVIDED ACROSS THE CONTROL WALL AND BACK WALL TO A POINT 18 INCHES (457 MM) FROM THE CONTROL WALL.

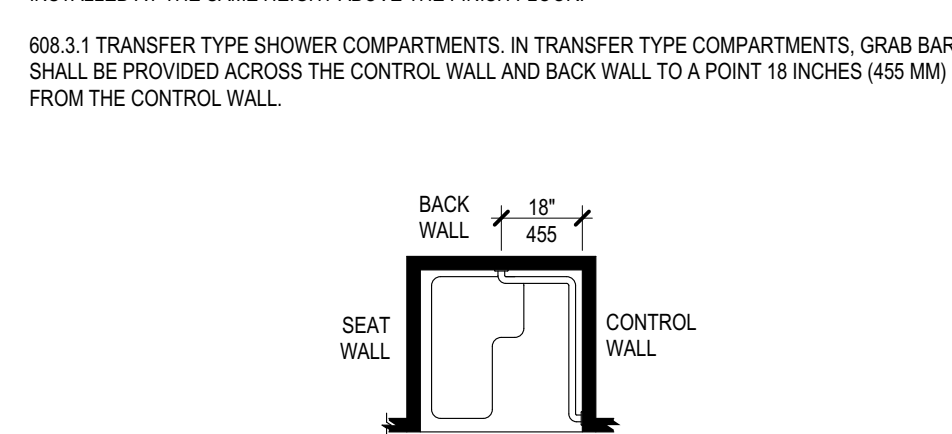


FIGURE 608.3.1 GRAB BARS FOR TRANSFER TYPE SHOWERS

608.3.2 STANDARD ROLL-IN TYPE SHOWER COMPARTMENTS. WHERE A SEAT IS PROVIDED IN STANDARD ROLL-IN TYPE SHOWER COMPARTMENTS, GRAB BARS SHALL NOT BE PROVIDED ON THE BACK WALL AND THE SIDE WALL OPPOSITE THE SEAT. GRAB BARS SHALL NOT BE PROVIDED ABOVE THE SEAT WHERE A SEAT IS NOT PROVIDED IN STANDARD ROLL-IN TYPE SHOWER COMPARTMENTS. GRAB BARS SHALL BE PROVIDED ON THREE WALLS. GRAB BARS SHALL BE INSTALLED 18 INCHES (457 MM) MAXIMUM FROM ADJACENT WALLS.

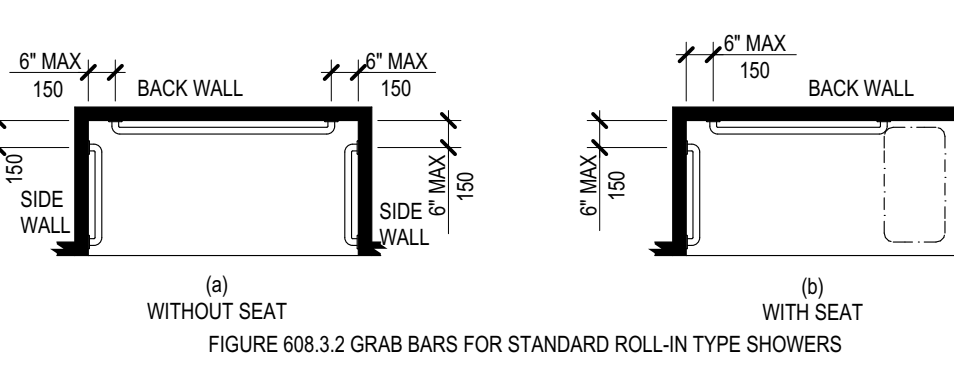


FIGURE 608.3.2 GRAB BARS FOR STANDARD ROLL-IN TYPE SHOWERS

608.3.3 ALTERNATE ROLL-IN TYPE SHOWER COMPARTMENTS. IN ALTERNATE ROLL-IN TYPE SHOWER COMPARTMENTS, GRAB BARS SHALL BE PROVIDED ON THE BACK WALL AND THE SIDE WALL FARTHEST FROM THE COMPARTMENT ENTRY. GRAB BARS SHALL NOT BE PROVIDED ABOVE THE SEAT. GRAB BARS SHALL BE INSTALLED 18 INCHES (457 MM) MAXIMUM FROM ADJACENT WALLS.

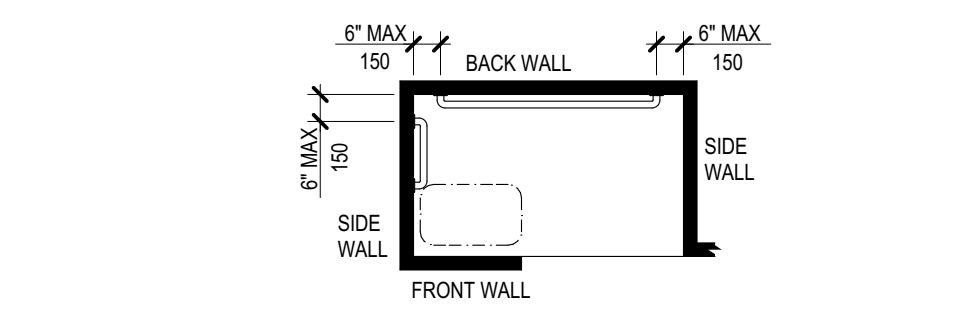


FIGURE 608.3.3 GRAB BARS FOR ALTERNATE ROLL-IN TYPE SHOWERS

608.4 SEATS. A FOLDING OR NON-FOLDING SEAT SHALL BE PROVIDED IN TRANSFER TYPE SHOWER COMPARTMENTS. A FOLDING SEAT SHALL BE PROVIDED IN ROLL-IN TYPE SHOWERS REQUIRED IN TRANSFER LOOKING GUEST ROOMS WITH MOBILITY FEATURES COMPLYING WITH 609.2. SEATS SHALL COMPLY WITH 610.

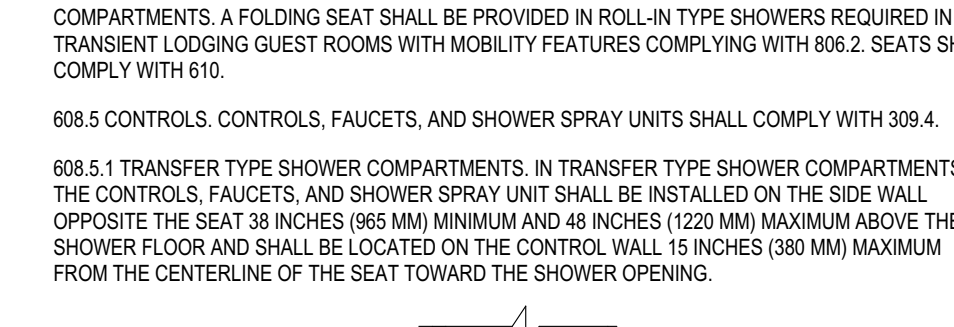


FIGURE 608.4 TRANSFER TYPE SHOWER COMPARTMENT CONTROL LOCATION

608.5 CONTROLS. CONTROLS, FAUCETS, AND SHOWER SPRAY UNITS SHALL COMPLY WITH 309.4.

608.5.1 TRANSFER TYPE SHOWER COMPARTMENTS. IN TRANSFER TYPE SHOWER COMPARTMENTS, THE CONTROLS, FAUCETS, AND SHOWER SPRAY UNIT SHALL BE INSTALLED ON THE SIDE WALL OPPOSITE THE SEAT 36 INCHES (915 MM) MINIMUM ABOVE THE FINISH FLOOR AND THE SHOWER SPRAY UNIT SHALL BE INSTALLED ON THE CONTROL WALL 15 INCHES (381 MM) MAXIMUM FROM THE CENTERLINE OF THE SEAT TOWARD THE SHOWER OPENING.

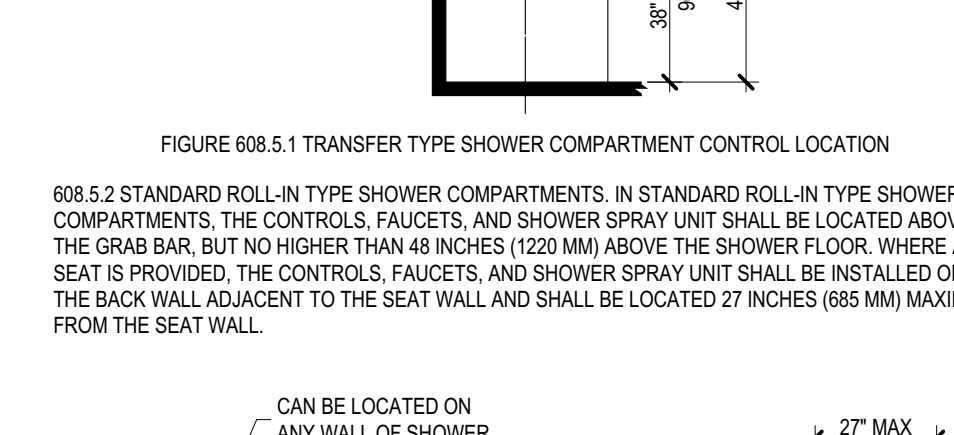


FIGURE 608.5.1 TRANSFER TYPE SHOWER COMPARTMENT CONTROL LOCATION

608.5.2 STANDARD ROLL-IN TYPE SHOWER COMPARTMENTS. IN STANDARD ROLL-IN TYPE SHOWER COMPARTMENTS, THE CONTROLS, FAUCETS, AND SHOWER SPRAY UNIT SHALL BE LOCATED ABOVE THE SEAT SHALL BE NO HIGHER THAN 48 INCHES (1220 MM) ABOVE THE SHOWER FLOOR, WHERE A SEAT IS PROVIDED. THE CONTROLS, FAUCETS, AND SHOWER SPRAY UNIT SHALL BE INSTALLED ON THE BACK WALL ADJACENT TO THE SEAT WALL AND SHALL BE LOCATED 27 INCHES (686 MM) MAXIMUM FROM THE SEAT WALL.

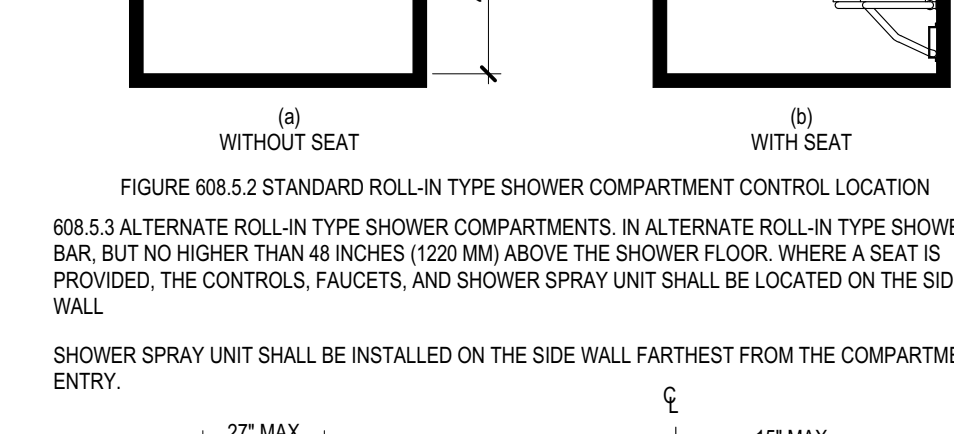


FIGURE 608.5.2 STANDARD ROLL-IN TYPE SHOWER COMPARTMENT CONTROL LOCATION

608.5.3 ALTERNATE ROLL-IN TYPE SHOWER COMPARTMENTS. IN ALTERNATE ROLL-IN TYPE SHOWER COMPARTMENTS, THE CONTROLS, FAUCETS, AND SHOWER SPRAY UNIT SHALL BE LOCATED ON THE SIDE WALL OPPOSITE THE SEAT 36 INCHES (915 MM) MINIMUM ABOVE THE FINISH FLOOR AND THE SHOWER SPRAY UNIT SHALL BE INSTALLED ON THE SIDE WALL FARTHEST FROM THE COMPARTMENT ENTRY.

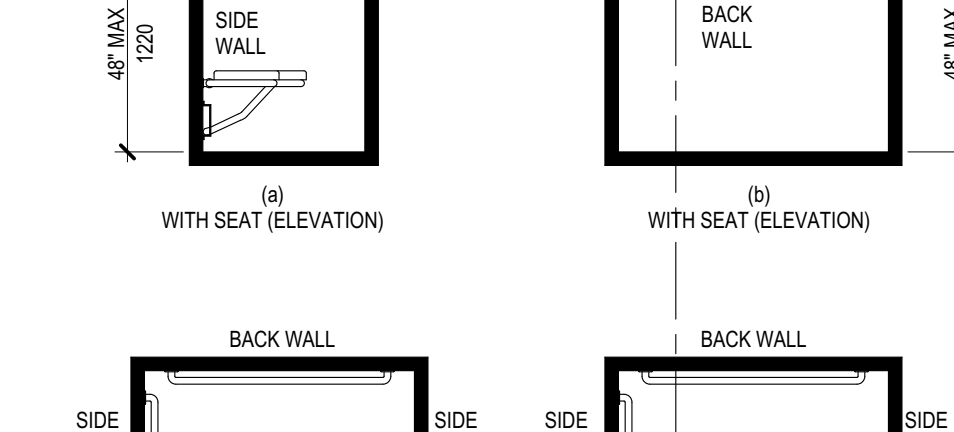


FIGURE 608.5.3 ALTERNATE ROLL-IN TYPE SHOWER COMPARTMENT CONTROL LOCATION

608.6 SHOWER SPRAY UNIT AND WATER. A SHOWER SPRAY UNIT WITH A HOSE 59 INCHES (1500 MM) LONG MINIMUM THAT CAN BE USED BOTH AS A FIXED POSITION SHOWER HEAD AND AS A HAND-HELD SHOWER SHALL BE PROVIDED. THE SHOWER SPRAY UNIT SHALL HAVE AN ON/OFF CONTROL, WITH A NON-POSITIVE SHUT-OFF. IF AN ADJUSTABLE-HEIGHT SHOWER HEAD ON A VERTICAL BAR IS USED, THE BAR SHALL BE INSTALLED 30 AS NOT TO OBSTRUCT THE USE OF GRAB BARS. SHOWER SPRAY UNITS SHALL DELIVER WATER THAT IS 120°F (49°C) MAXIMUM.

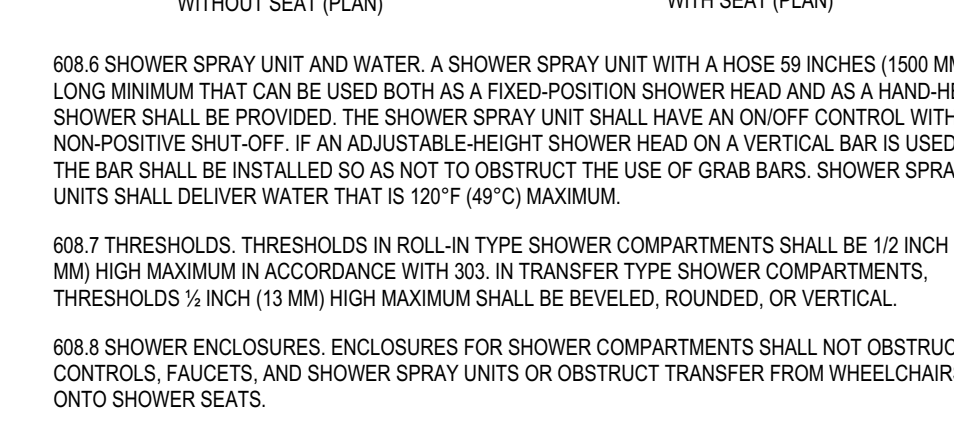


FIGURE 608.6 SHOWER COMPARTMENT SIZE AND CLEARANCE

608.7 THRESHOLDS. THRESHOLDS IN ROLL-IN TYPE SHOWER COMPARTMENTS SHALL BE 1/2 INCH (13 MM) HIGH MAXIMUM IN ACCORDANCE WITH 303. IN TRANSFER TYPE SHOWER COMPARTMENTS, THRESHOLDS 1/2 INCH (13 MM) HIGH MAXIMUM SHALL BE DEVELOPED, ROUNDED, OR VERTICAL.

608.8 SHOWER ENCLOSURES. ENCLOSURES FOR SHOWER COMPARTMENTS SHALL NOT OBSTRUCT CONTROLS, FAUCETS, AND SHOWER SPRAY UNITS OR OBSTRUCT TRANSFER FROM WHEELCHAIRS ONTO SHOWER SEATS.

609 GRAB BARS

609.1 GENERAL. GRAB BARS IN TOILET FACILITIES AND BATHING FACILITIES SHALL COMPLY WITH 609.

609.2 CROSS SECTION. GRAB BARS SHALL HAVE A CROSS SECTION COMPLYING WITH 609.2.1 OR 609.2.2.

609.2.1 CIRCULAR CROSS SECTION. GRAB BARS WITH CIRCULAR CROSS SECTIONS SHALL HAVE AN OUTER DIAMETER OF 1 1/4 INCHES (32 MM) MINIMUM AND 2 INCHES (51 MM) MAXIMUM.

609.2.2 NON-CIRCULAR CROSS SECTION. GRAB BARS WITH NON-CIRCULAR CROSS SECTIONS SHALL HAVE A CROSS-SECTION DIMENSION OF 2 INCHES (51 MM) MAXIMUM AND A PERIMETER DIMENSION OF 4 INCHES (102 MM) MINIMUM AND 4.5 INCHES (114 MM) MAXIMUM.

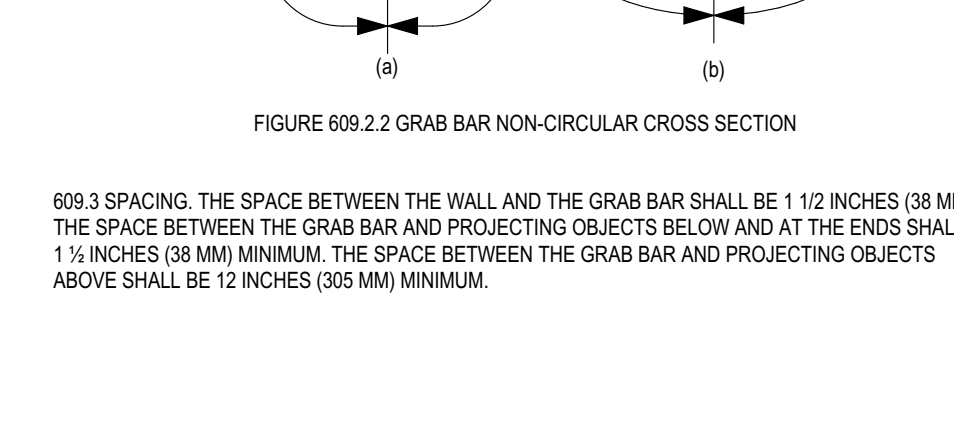


FIGURE 609.2 GRAB BAR NON-CIRCULAR CROSS SECTION

609.3 SPACING. THE SPACE BETWEEN THE WALL AND THE GRAB BAR SHALL BE 1 1/2 INCHES (38 MM). THE SPACE BETWEEN THE GRAB BAR AND PROJECTING OBJECTS BELOW AND AT THE ENDS SHALL BE 1 1/2 INCHES (38 MM) MINIMUM. THE SPACE BETWEEN THE GRAB BAR AND PROJECTING OBJECTS ABOVE SHALL BE 12 INCHES (305 MM) MINIMUM.

609.3.1 TRANSFER TYPE SHOWER COMPARTMENTS. TRANSFER TYPE SHOWER COMPARTMENTS. GRAB BARS SHALL BE PROVIDED ACROSS THE CONTROL WALL AND BACK WALL TO A POINT 18 INCHES (457 MM) FROM THE CONTROL WALL.



FIGURE 609.3.1 GRAB BARS FOR TRANSFER TYPE SHOWERS

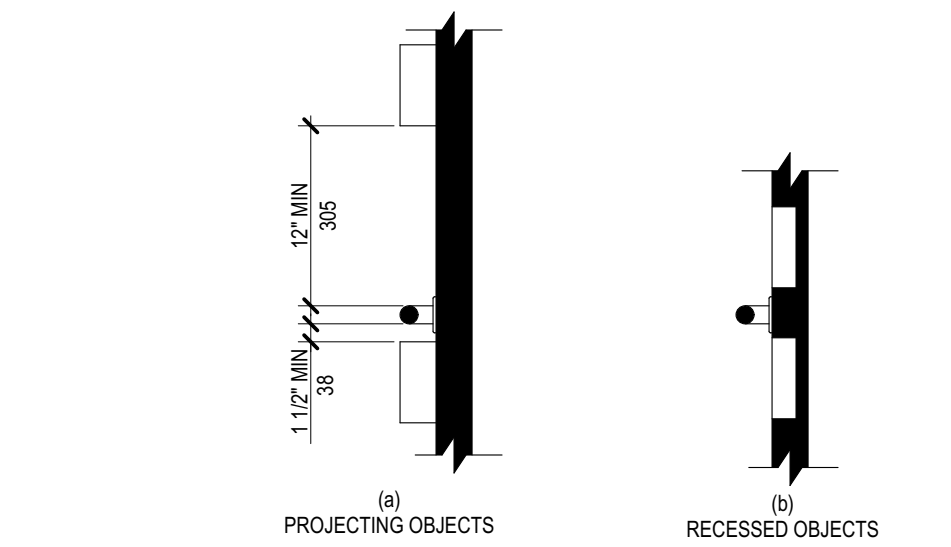


FIGURE 609.3 SPACING OF GRAB BARS

609.4 POSITION OF GRAB BARS. GRAB BARS SHALL BE INSTALLED IN A HORIZONTAL POSITION, 33 INCHES (840 MM) MINIMUM AND 38 INCHES (915 MM) MAXIMUM ABOVE THE FINISH FLOOR MEASURED TO THE TOP OF THE GRIPPING SURFACE, EXCEPT THAT AT WATER CLOSETS FOR CHILDREN'S USE COMPLYING WITH 604.4, GRAB BARS SHALL BE INSTALLED IN A HORIZONTAL POSITION 18 INCHES (457 MM) MINIMUM AND 27 INCHES (686 MM) MAXIMUM ABOVE THE FINISH FLOOR MEASURED TO THE TOP OF THE GRIPPING SURFACE. THE HEIGHT OF THE LOWER GRAB BAR ON THE BACK WALL OF A BATHTUB SHALL COMPLY WITH 607.4.1.1 OR 607.4.2.1.

609.5 SURFACE HAZARDS. GRAB BARS AND ANY WALL OR OTHER SURFACES ADJACENT TO GRAB BARS SHALL BE FREE OF SHARP OR ABRASIVE ELEMENTS AND SHALL HAVE ROUNDED EDGES.

609.6 FITTINGS. GRAB BARS SHALL NOT ROTATE WITH THEIR FITTINGS.

609.7 INSTALLATION. GRAB BARS SHALL BE INSTALLED IN AN MANNER THAT PROVIDES A GRIPPING SURFACE AT THE SPECIFIED LOCATIONS AND THAT DOES NOT OBSTRUCT THE REQUIRED CLEAR FLOOR SPACE.

609.8 STRUCTURAL STRENGTH. ALLOWABLE STRESSES SHALL NOT BE EXCEEDED FOR MATERIALS USED WHEN A VERTICAL OR HORIZONTAL FORCE OF 250 POUNDS (112 N) IS APPLIED AT ANY POINT ON THE GRAB BAR, FASTENER, MOUNTING DEVICE, OR SUPPORTING STRUCTURE.

610 SEATS

610.2 BATHTUB SEATS. THE TOP OF BATHTUB SEATS SHALL BE 17 INCHES (430 MM) MINIMUM AND 19 INCHES (483 MM) MAXIMUM ABOVE THE BATHROOM FINISH FLOOR. THE DEPTH OF A REMOVABLE IN-TUB SEAT SHALL BE 15 INCHES (381 MM) MINIMUM AND 19 INCHES (483 MM) MAXIMUM. THE SEAT SHALL BE CAPABLE OF SECURE PLACEMENT. PERMANENT SEATS AT THE HEAD END OF THE BATHTUB SHALL BE 15 INCHES (381 MM) DEEP MINIMUM AND SHALL EXTEND FROM THE BACK WALL TO OR BEYOND THE OUTER EDGE OF THE BATHTUB.

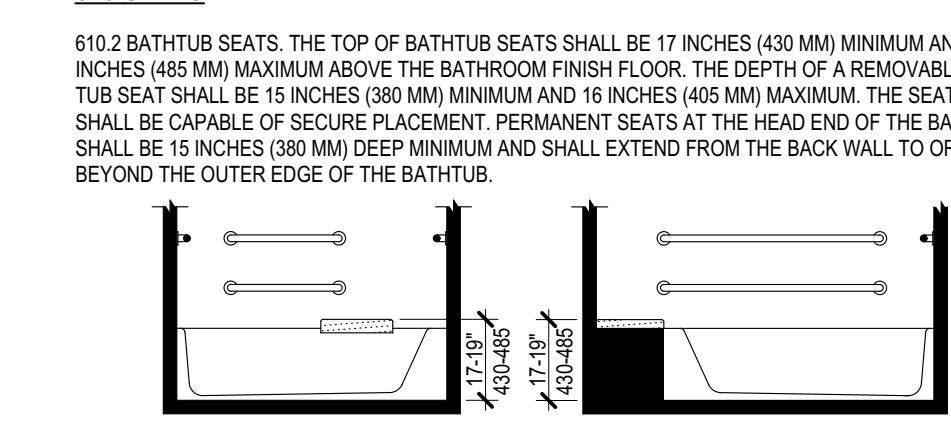


FIGURE 610.2 HEIGHT OF RAISED CHARACTERS

610.2.1 GENERAL. PUBLIC TELEPHONES SHALL COMPLY WITH 704.

610.2.2 WHEELCHAIR ACCESSIBLE TELEPHONES. WHEELCHAIR ACCESSIBLE TELEPHONES SHALL COMPLY WITH 704.2.

610.2.3 CLEAR FLOOR OR GROUND SPACE. A CLEAR FLOOR OR GROUND SPACE COMPLYING WITH 305 SHALL BE PROVIDED. THE CLEAR FLOOR OR GROUND SPACE SHALL NOT BE OBSTRUCTED BY BASES, ENCLOSURES, OR SEATS.

610.2.4 ADVISORY. 704.2.1 CLEAR FLOOR OR GROUND SPACE. BECAUSE CLEAR FLOOR AND GROUND SPACE IS REQUIRED TO BE UNOBSTRUCTED, TELEPHONES, ENCLOSURES AND RELATED TELEPHONE BOOK STORAGE CANNOT ENCHANCE ON THE REQUIRED CLEAR FLOOR OR GROUND SPACE AND MUST COMPLY WITH THE PROVISIONS FOR PROTRUDING OBJECTS. (SEE SECTION 307).

610.2.4.1 PARALLEL APPROACH. WHERE A PARALLEL APPROACH IS PROVIDED, THE DISTANCE FROM THE EDGE OF THE TELEPHONE ENCLOSURE TO THE FACE OF THE TELEPHONE UNIT SHALL BE 10 INCHES (254 MM) MINIMUM.



FIGURE 610.2.1 PARALLEL APPROACH TO TELEPHONE

610.2.4.2 FORWARD APPROACH. WHERE A FORWARD APPROACH IS PROVIDED, THE DISTANCE FROM THE FRONT EDGE OF A COUNTER WITH THE TELEPHONE ENCLOSURE TO THE FACE OF THE TELEPHONE UNIT SHALL BE 20 INCHES (508 MM) MINIMUM.

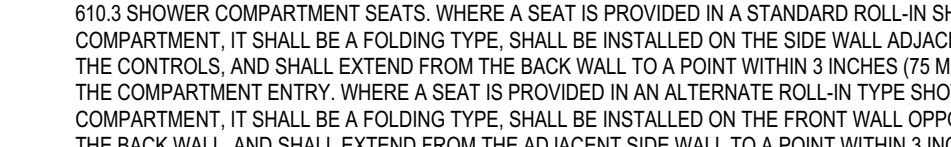


FIGURE 610.2.2 FORWARD APPROACH TO TELEPHONE

610.2.5 TELEPHONE DIRECTORIES. TELEPHONE DIRECTORIES, WHERE PROVIDED, SHALL BE LOCATED IN ACCORDANCE WITH 309.

610.2.6 CORD LENGTH. THE CORD FROM THE TELEPHONE TO THE HANDSET SHALL BE 26 INCHES (660 MM) LONG MINIMUM.

610.2.7 TTYs. TTYs REQUIRED AT A PUBLIC PAY TELEPHONE SHALL BE PERMANENTLY AFFIXED WITHIN OR ADJACENT TO THE TELEPHONE ENCLOSURE. THE TELEPHONE CORD SHALL BE SUFFICIENTLY LONG TO ALLOW CONNECTION OF THE TTY AND THE TELEPHONE RECEIVER.

610.2.8 TTY SHELS. PUBLIC PAY TELEPHONES REQUIRED TO ACCOMMODATE PORTABLE TTYs SHALL BE EQUIPPED WITH A SHELF AND AN ELECTRICAL OUTLET WITHIN OR ADJACENT TO THE TELEPHONE ENCLOSURE. THE TELEPHONE HANDSET SHALL BE CAPABLE OF BEING PLACED FLUSH ON THE SURFACE OF THE SHELF. THE SHELF SHALL BE CAPABLE OF ACCOMMODATING A TTY AND SHALL HAVE 6 INCHES (152 MM) MINIMUM VERTICAL CLEARANCE ABOVE THE AREA WHERE THE TTY IS TO BE PLACED.

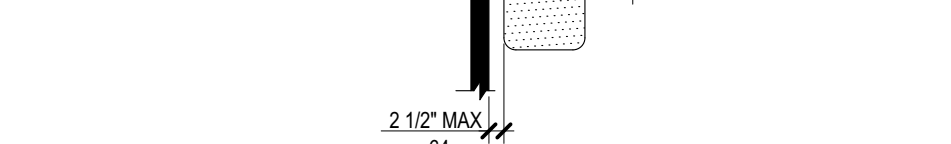


FIGURE 610.2.8 POSITION OF BRAILLE

610.3.1 RECTANGULAR SEATS. THE REAR EDGE OF A RECTANGULAR SEAT SHALL BE 2 1/2 INCHES (64 MM) MAXIMUM AND THE FRONT EDGE 15 INCHES (381 MM) MINIMUM AND 16 INCHES (406 MM) MAXIMUM FROM THE SEAT WALL. THE SIDE EDGE OF THE SEAT SHALL BE 1 1/2 INCHES (38 MM) MAXIMUM FROM THE ADJACENT WALL.

610.3.2 SHAPED SEATS. THE REAR EDGE OF AN L-SHAPED SEAT SHALL BE 2 1/2 INCHES (64 MM) MAXIMUM AND THE FRONT EDGE 15 INCHES (381 MM) MINIMUM AND 16 INCHES (406 MM) MAXIMUM FROM THE SEAT WALL. THE REAR EDGE OF THE 'L' PORTION OF THE SEAT SHALL BE 1 1/2 INCHES (38 MM) MAXIMUM FROM THE WALL AND THE FRONT EDGE SHALL BE 14 INCHES (355 MM) MINIMUM AND 15 INCHES (381 MM) MAXIMUM FROM THE WALL. THE SEAT SHALL BE 22 INCHES (559 MM) MINIMUM AND 23 INCHES MAXIMUM (585 MM) FROM THE MAIN SEAT WALL.

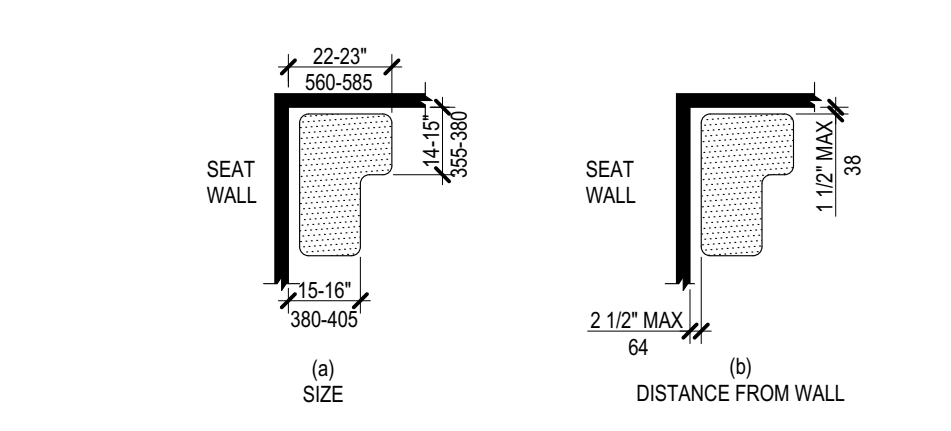


FIGURE 610.3.2 L-SHAPED SHOWER SEAT

610.3.2.1 SHAPED SEATS. THE REAR EDGE OF AN L-SHAPED SEAT SHALL BE 2 1/2 INCHES (64 MM) MAXIMUM AND THE FRONT EDGE 15 INCHES (381 MM) MINIMUM AND 16 INCHES (406 MM) MAXIMUM FROM THE SEAT WALL. THE REAR EDGE OF THE 'L' PORTION OF THE SEAT SHALL BE 1 1/2 INCHES (38 MM) MAXIMUM FROM THE WALL AND THE FRONT EDGE SHALL BE 14 INCHES (355 MM) MINIMUM AND 15 INCHES (381 MM) MAXIMUM FROM THE WALL. THE SEAT SHALL BE 22 INCHES (559 MM) MINIMUM AND 23 INCHES MAXIMUM (585 MM) FROM THE MAIN SEAT WALL.

610.4 STRUCTURAL STRENGTH. ALLOWABLE STRESSES SHALL NOT BE EXCEEDED FOR MATERIALS USED WHEN A VERTICAL OR HORIZONTAL FORCE OF 250 POUNDS (112 N) IS APPLIED AT ANY POINT ON THE SEAT, FASTENER, MOUNTING DEVICE, OR SUPPORTING STRUCTURE.

611 WASHING MACHINES AND CLOTHES DRYERS

611.1 CLEAR FLOOR SPACE. A CLEAR FLOOR OR GROUND SPACE COMPLYING WITH 305 POSITIONED FOR PARALLEL APPROACH SHALL BE PROVIDED. THE CLEAR FLOOR OR GROUND SPACE SHALL BE CENTERED ON THE APPLIANCE.

611.2 OPERABLE PARTS. OPERABLE PARTS, INCLUDING DOORS, LINT SCREENS, AND DETERGENT AND DRAIN COMPARTMENTS SHALL COMPLY WITH 309.

611.3 HEIGHT. TOP LOADING MACHINES SHALL HAVE THE DOOR TO THE LAUNDRY COMPARTMENT LOCATED 36 INCHES (915 MM) MAXIMUM ABOVE THE FINISH FLOOR. FRONT LOADING MACHINES SHALL HAVE THE BOTTOM OF THE OPENING TO THE LAUNDRY COMPARTMENT LOCATED 15 INCHES (381 MM) MINIMUM AND 36 INCHES (915 MM) MAXIMUM ABOVE THE FINISH FLOOR.

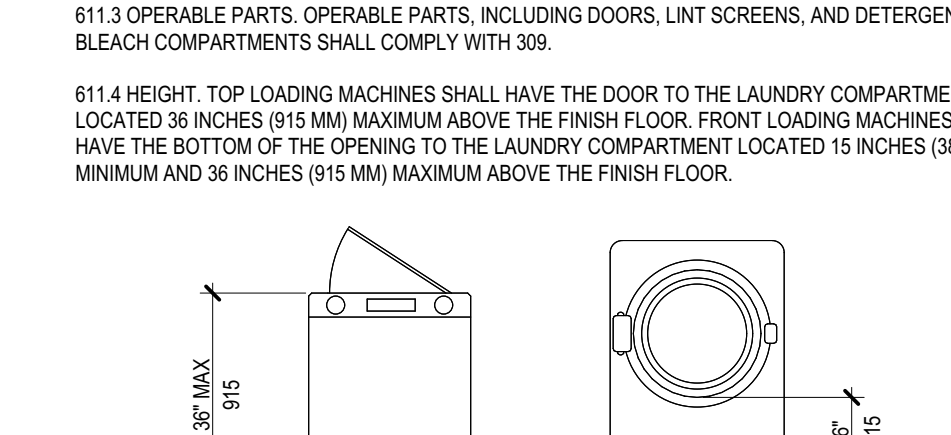


FIGURE 611.3 HEIGHT OF LAUNDRY COMPARTMENT OPENING

612 SAUNAS AND STEAM ROOMS

612.2 BENCH. WHERE SEATING IS PROVIDED IN SAUNAS AND STEAM ROOMS, AT LEAST ONE BENCH SHALL COMPLY WITH 903. DOORS SHALL NOT SWING INTO THE CLEAR FLOOR SPACE REQUIRED BY 903.1.

612.3 TURNING SPACE. A TURNING SPACE COMPLYING WITH 304 SHALL BE PROVIDED WITHIN SAUNAS AND STEAM ROOMS.

612.4 TURNING SPACE. A TURNING SPACE COMPLYING WITH 304 SHALL BE PROVIDED WITHIN SAUNAS AND STEAM ROOMS.

612.5 TURNING SPACE. A TURNING SPACE COMPLYING WITH 304 SHALL BE PROVIDED WITHIN SAUNAS AND STEAM ROOMS.

612.6 TURNING SPACE. A TURNING SPACE COMPLYING WITH 304 SHALL BE PROVIDED WITHIN SAUNAS AND STEAM ROOMS.

612.7 TURNING SPACE. A TURNING SPACE COMPLYING WITH 304 SHALL BE PROVIDED WITHIN SAUNAS AND STEAM ROOMS.

CHAPTER 7: COMMUNICATION ELEMENTS AND FEATURES

702 FIRE ALARM SYSTEMS

702.1 GENERAL. FIRE ALARM SYSTEMS SHALL BE PERMANENTLY INSTALLED AUDIBLE AND VISIBLE ALARMS COMPLYING WITH NFPA 72 (1999 OR 2002 EDITION) INCORPORATED BY REFERENCE. SEE "REFERENCED STANDARDS" IN CHAPTER 1, EXCEPT THAT THE MAXIMUM ALLOWABLE SOUND LEVEL OF AUDIBLE NOTIFICATION APPLIANCES COMPLYING WITH SECTION 4.2.1.1 OF NFPA 72 (1999 EDITION) SHALL HAVE A SOUND LEVEL, NO MORE THAN 10 DB AT THE MINIMUM HEARING DISTANCE FROM THE AUDIBLE APPLIANCE. IN ADDITION, ALARMS SHALL BE PROVIDED BY THE FOLLOWING MEANS:

702.1.1 COMMUNICATION FEATURES SHALL COMPLY WITH SECTIONS 4.3 AND 4.4 OF NFPA 72 (1999 EDITION) OR SECTIONS 7.4 AND 7.5 OF NFPA 72 (2002 EDITION).

703 SIGNS

703.1 GENERAL. SIGNS SHALL COMPLY WITH 703, WHERE BOTH VISUAL AND TACTILE CHARACTERS ARE REQUIRED. EITHER ONE SIGN WITH BOTH VISUAL AND TACTILE CHARACTERS OR TWO SEPARATE SIGNS, ONE WITH VISUAL AND ONE WITH TACTILE CHARACTERS, SHALL BE PROVIDED.

703.2 RAISED CHARACTERS. RAISED CHARACTERS SHALL COMPLY WITH 703.2 AND SHALL BE DUPLICATED IN BRAILLE COMPLYING WITH 703.3. RAISED CHARACTERS SHALL BE INSTALLED IN ACCORDANCE WITH 703.4.

703.2.1 DEPTH. RAISED CHARACTERS SHALL BE 1/32 INCH (0.8 MM) MINIMUM ABOVE THEIR BACKGROUND.

703.2.2 CASE. CHARACTERS SHALL BE UPPERCASE.

703.2.3 STYLE. CHARACTERS SHALL BE SANS SERIF. CHARACTERS SHALL NOT BE ITALIC, OBLIQUE, SCRIPT, HIGHLY DECORATIVE, OR OF OTHER UNUSUAL FORMS.

703.2.4 CHARACTER PROPORTIONS. CHARACTERS SHALL BE SELECTED FROM FONTS WHERE THE WIDTH OF THE UPPERCASE LETTER 'O' IS 65 PERCENT MINIMUM AND 110 PERCENT MAXIMUM OF THE HEIGHT OF THE UPPERCASE LETTER 'Y'.

703.2.5 CHARACTER HEIGHT. CHARACTER HEIGHT MEASURED VERTICALLY FROM THE BASELINE OF THE CHARACTER SHALL BE 58 INCH (1486 MM) MINIMUM AND 2 INCHES (51 MM) MAXIMUM BASED ON THE HEIGHT OF THE UPPERCASE LETTER 'Y'.



FIGURE 703.1 PICTOGRAM FIELD

703.2.6 FINISH AND CONTRAST. PICTOGRAMS AND THEIR FIELD SHALL HAVE A NON-GLARE FINISH. PICTOGRAMS SHALL CONTRAST WITH THEIR FIELD WITH EITHER A LIGHT PICTOGRAM ON A DARK FIELD OR A DARK PICTOGRAM ON A LIGHT FIELD.

703.2.7 TEXT DESCRIPTORS. PICTOGRAMS SHALL HAVE TEXT DESCRIPTORS LOCATED DIRECTLY BELOW THE PICTOGRAM FIELD. TEXT DESCRIPTORS SHALL COMPLY WITH 703.2.3.3.3 AND 704.4.

703.2.8 SYMBOLS OF ACCESSIBILITY. SYMBOLS OF ACCESSIBILITY SHALL COMPLY WITH 703.7.

703.7.1 FINISH AND CONTRAST. SYMBOLS OF ACCESSIBILITY AND THEIR BACKGROUND SHALL HAVE A NON-GLARE FINISH. SYMBOLS OF ACCESSIBILITY SHALL CONTRAST WITH THEIR BACKGROUND WITH EITHER A LIGHT SYMBOL ON A DARK BACKGROUND OR A DARK SYMBOL ON A LIGHT BACKGROUND.

704 TELEPHONES</