

CHAPTER 3: BUILDING BLOCKS

302 FLOOR OR GROUND SURFACES

302.1 CARPET, CARPET OR CARPET TILE SHALL BE SECURELY ATTACHED AND SHALL HAVE A FIRM CUSHION PAD OR BACKING OR CUSHION OR PAD. CARPET OR CARPET TILE SHALL HAVE A LEVEL LOOP, TEXTURED LOOP, LEVEL CUT PILE, OR LEVEL CUT/UNLATCH PILE TEXTURE. PILE HEIGHT SHALL BE 1/2 INCH (13 MM) MAXIMUM. EXPOSED EDGES OF CARPET SHALL BE FASTENED TO FLOOR SURFACES AND SHALL HAVE TRIM ON THE ENTIRE LENGTH OF THE EXPOSED EDGE. CARPET EDGE TRIM SHALL COMPLY WITH 303.

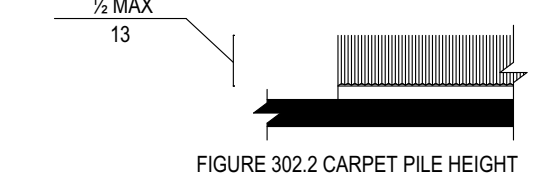


FIGURE 302.1 CARPET PILE HEIGHT

302.2 OPENINGS IN FLOOR OR GROUND SURFACES SHALL NOT ALLOW PASSAGE OF A SPHERE MORE THAN 1/2 INCH (13 MM) DIAMETER EXCEPT AS ALLOWED IN 401.4.3, 401.4.3.1, 401.4.3.1.1 AND 401.4.3.1.1.1. ELONGATED OPENINGS SHALL BE PLACED SO THAT THE LONG DIMENSION IS PERPENDICULAR TO THE DOMINANT DIRECTION OF TRAVEL.

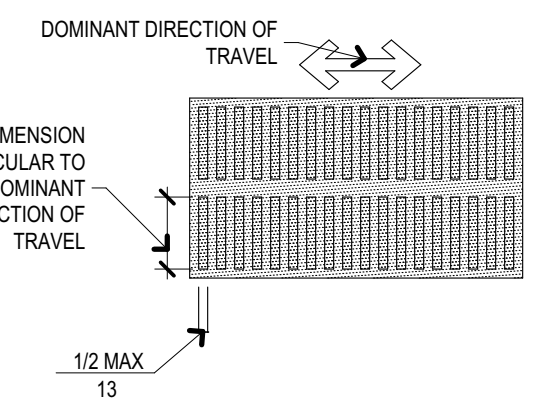


FIGURE 302.2 ELONGATED OPENINGS IN FLOOR OR GROUND SURFACES

302.3 VERTICAL CHANGES IN LEVEL OF 1/4 INCH (6.4 MM) HIGH MAXIMUM SHALL BE PERMITTED TO BE VERTICAL.

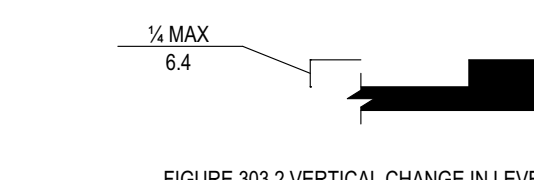
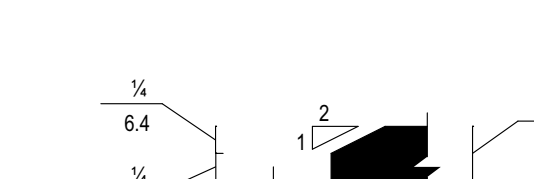


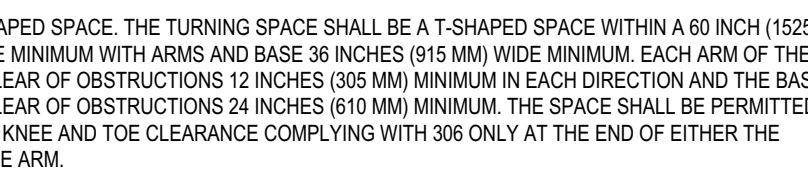
FIGURE 302.3 VERTICAL CHANGE IN LEVEL

302.4 BEVELLED CHANGES IN LEVEL BETWEEN 1/4 INCH (6.4 MM) HIGH MINIMUM AND 1/2 INCH (13 MM) HIGH MAXIMUM SHALL BE BEVELLED WITH A SLOPE NOT STEEPER THAN 1:2.



304 TURNING SPACE

304.1 CIRCULAR SPACE. THE TURNING SPACE SHALL BE A SPACE OF 60 INCHES (1525 MM) DIAMETER MINIMUM. THE SPACE SHALL BE PERMITTED TO INCLUDE KNEE AND TOE CLEARANCE COMPLYING WITH 306.



304.2 T-SHAPED SPACE. THE TURNING SPACE SHALL BE A T-SHAPED SPACE WITHIN A 60 INCH (1525 MM) SQUARE MINIMUM WITH ARMS AND BASE 36 INCHES (915 MM) WIDE MINIMUM. EACH ARM OF THE T SHALL BE CLEAR OF OBSTRUCTIONS 12 INCHES (305 MM) MINIMUM IN EACH DIRECTION AND THE BASE SHALL BE CLEAR OF OBSTRUCTIONS 24 INCHES (610 MM) MINIMUM. THE SPACE SHALL BE PERMITTED TO INCLUDE KNEE AND TOE CLEARANCE COMPLYING WITH 306 ONLY AT THE END OF EITHER THE BASE OR ONE ARM.

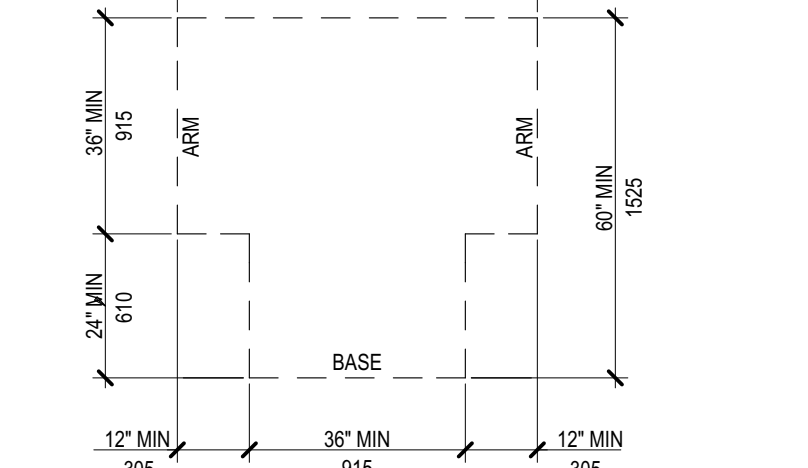


FIGURE 304.2 T-SHAPED TURNING SPACE

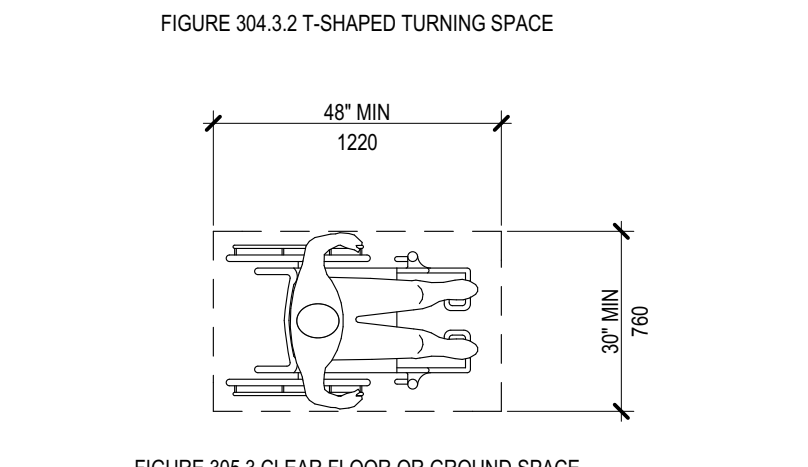


FIGURE 305.1 CLEAR FLOOR OR GROUND SPACE

305.1 FORWARD APPROACH. ALCOVES SHALL BE 36 INCHES (915 MM) WIDE MINIMUM WHERE THE DEPTH EXCEEDS 24 INCHES (610 MM).

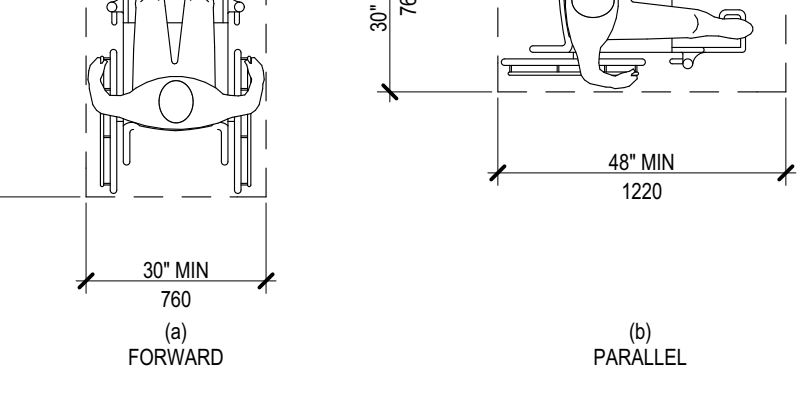


FIGURE 305.1 POSITION OF CLEAR FLOOR OR GROUND SPACE

305.2 PARALLEL APPROACH. ALCOVES SHALL BE 60 INCHES (1525 MM) WIDE MINIMUM WHERE THE DEPTH EXCEEDS 15 INCHES (380 MM).

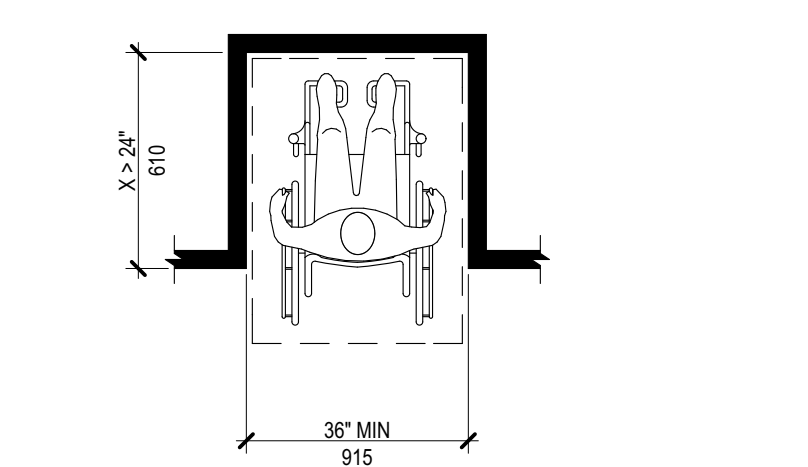


FIGURE 305.2 MANEUVERING CLEARANCE IN AN ALCOVE, FORWARD APPROACH

305.3 VERTICAL CLEARANCE. CLEARANCE SHALL BE 80 INCHES (2030 MM) HIGH MINIMUM GUARDRAILS OR OTHER BARRIERS SHALL BE PROVIDED WHERE THE VERTICAL CLEARANCE IS LESS THAN 80 INCHES (2030 MM) HIGH. THE LEADING EDGE OF SUCH GUARDRAIL OR BARRIER SHALL BE LOCATED 27 INCHES (685 MM) MAXIMUM ABOVE THE FINISH FLOOR OR GROUND.

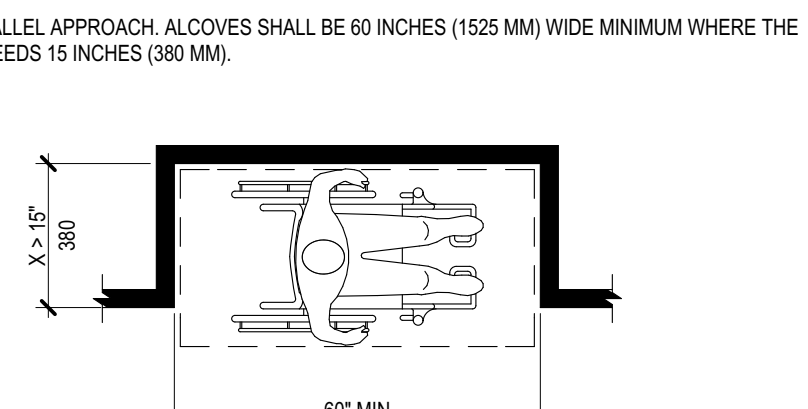


FIGURE 307.3 VERTICAL CLEARANCE

306 KNEE AND TOE CLEARANCE

306.1 TOE CLEARANCE. 306.2 GENERAL. SPACE UNDER AN ELEMENT BETWEEN THE FINISH FLOOR OR GROUND AND 9 INCHES (230 MM) ABOVE THE FINISH FLOOR OR GROUND SHALL BE CONSIDERED TOE CLEARANCE AND SHALL COMPLY WITH 306.2.

306.3 MAXIMUM DEPTH. TOE CLEARANCE SHALL EXTEND 25 INCHES (635 MM) MAXIMUM UNDER AN ELEMENT. 306.4 MINIMUM REQUIRED DEPTH. WHERE TOE CLEARANCE IS REQUIRED AT AN ELEMENT AS PART OF A CLEAR FLOOR SPACE, THE TOE CLEARANCE SHALL EXTEND 17 INCHES (430 MM) MINIMUM UNDER THE ELEMENT.

306.5 ADDITIONAL CLEARANCE. SPACE EXTENDING GREATER THAN 6 INCHES (150 MM) BEYOND THE AVAILABLE KNEE CLEARANCE AT 8 INCHES (203 MM) ABOVE THE FINISH FLOOR OR GROUND SHALL NOT BE CONSIDERED TOE CLEARANCE. 306.6 WIDTH. TOE CLEARANCE SHALL BE 30 INCHES (760 MM) WIDE MINIMUM.

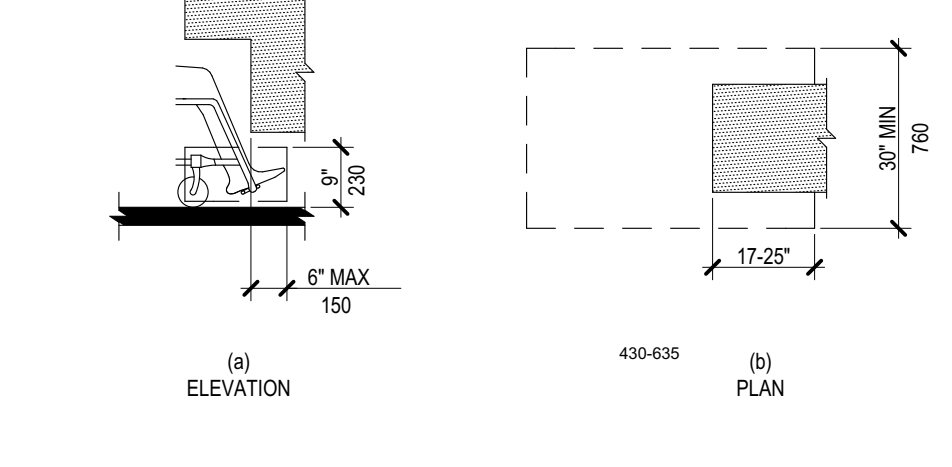


FIGURE 306.2 TOE CLEARANCE

306.3 KNEE CLEARANCE

306.3.1 GENERAL. SPACE UNDER AN ELEMENT BETWEEN 9 INCHES (230 MM) AND 27 INCHES (685 MM) ABOVE THE FINISH FLOOR OR GROUND SHALL BE CONSIDERED KNEE CLEARANCE AND SHALL COMPLY WITH 306.3. 306.3.2 MAXIMUM DEPTH. KNEE CLEARANCE SHALL EXTEND 25 INCHES (635 MM) MAXIMUM UNDER AN ELEMENT AT 9 INCHES (230 MM) ABOVE THE FINISH FLOOR OR GROUND.

306.3.3 MINIMUM REQUIRED DEPTH. WHERE KNEE CLEARANCE IS REQUIRED UNDER AN ELEMENT AS PART OF A CLEAR FLOOR SPACE, THE KNEE CLEARANCE SHALL BE 11 INCHES (280 MM) DEEP MINIMUM AT 9 INCHES (230 MM) ABOVE THE FINISH FLOOR OR GROUND, AND 9 INCHES (230 MM) DEEP MINIMUM AT 27 INCHES (685 MM) ABOVE THE FINISH FLOOR OR GROUND. 306.3.4 CLEARANCE REDUCTION. BETWEEN 9 INCHES (230 MM) AND 27 INCHES (685 MM) ABOVE THE FINISH FLOOR OR GROUND, THE KNEE CLEARANCE SHALL BE PERMITTED TO REDUCE AT A RATE OF 1 INCH (25 MM) IN DEPTH FOR EVERY 1 INCH (25 MM) IN HEIGHT.

306.3.5 WIDTH. KNEE CLEARANCE SHALL BE 30 INCHES (760 MM) WIDE MINIMUM.

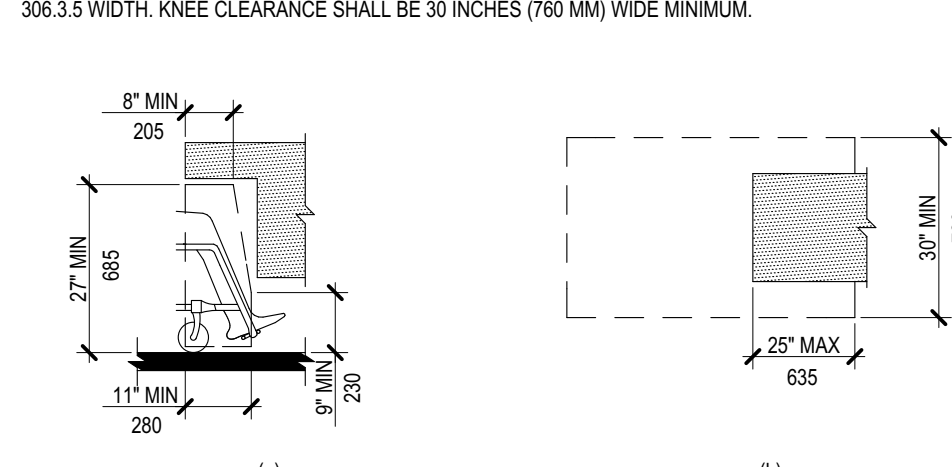


FIGURE 306.3 KNEE CLEARANCE

307 PROTRUDING OBJECTS

307.1 PROTRUDING LIMITS. OBJECTS WITH LEADING EDGES MORE THAN 27 INCHES (685 MM) AND NOT MORE THAN 60 INCHES (1525 MM) ABOVE THE FINISH FLOOR OR GROUND SHALL PROTRUDE 4 INCHES (100 MM) MAXIMUM HORIZONTALLY INTO THE CIRCULATION PATH. EXCEPTION: HANDRAILS SHALL BE PERMITTED TO PROTRUDE 4 1/2 INCHES (115 MM) MAXIMUM.

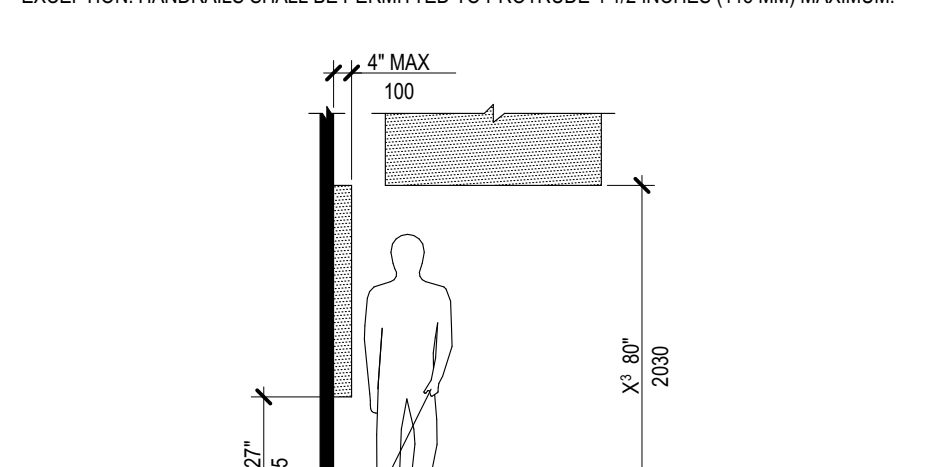


FIGURE 307.2 LIMITS OF PROTRUDING OBJECTS

307.3 POST-MOUNTED OBJECTS

307.3.1 POST-MOUNTED OBJECTS. FREE-STANDING OBJECTS MOUNTED ON POSTS OR PYLONS SHALL OVERHANG CIRCULATION PATHS 12 INCHES (305 MM) MAXIMUM WHEN LOCATED 27 INCHES (685 MM) MINIMUM AND 50 INCHES (1270 MM) MAXIMUM ABOVE THE FINISH FLOOR OR GROUND, WHERE A SIGN OR OTHER OBSTRUCTION IS MOUNTED BETWEEN POSTS OR PYLONS AND THE CLEAR DISTANCE BETWEEN THE POSTS OR PYLONS IS GREATER THAN 12 INCHES (305 MM). THE LOWEST EDGE OF SUCH SIGN OR OBSTRUCTION SHALL BE 27 INCHES (685 MM) MAXIMUM OR 50 INCHES (1270 MM) MINIMUM ABOVE THE FINISH FLOOR OR GROUND.

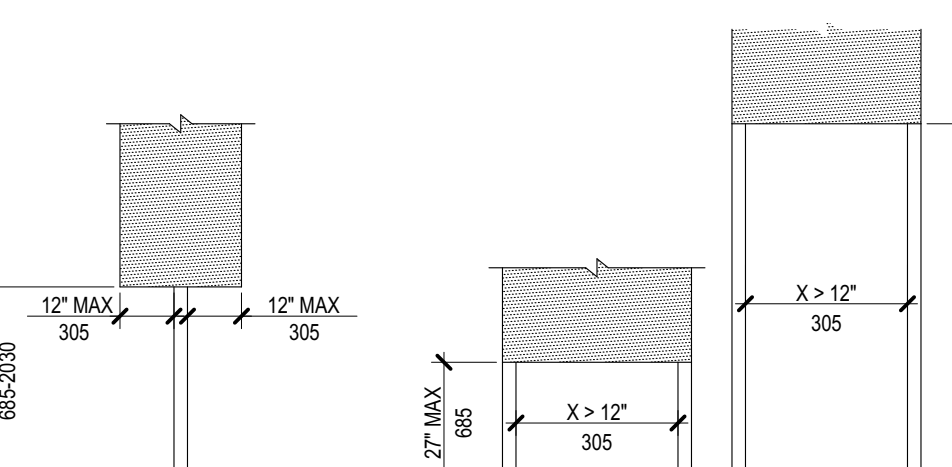


FIGURE 307.3 POST-MOUNTED PROTRUDING OBJECTS

307.4 VERTICAL CLEARANCE

307.4.1 GENERAL. CLEARANCE SHALL BE 80 INCHES (2030 MM) HIGH MINIMUM GUARDRAILS OR OTHER BARRIERS SHALL BE PROVIDED WHERE THE VERTICAL CLEARANCE IS LESS THAN 80 INCHES (2030 MM) HIGH. THE LEADING EDGE OF SUCH GUARDRAIL OR BARRIER SHALL BE LOCATED 27 INCHES (685 MM) MAXIMUM ABOVE THE FINISH FLOOR OR GROUND.

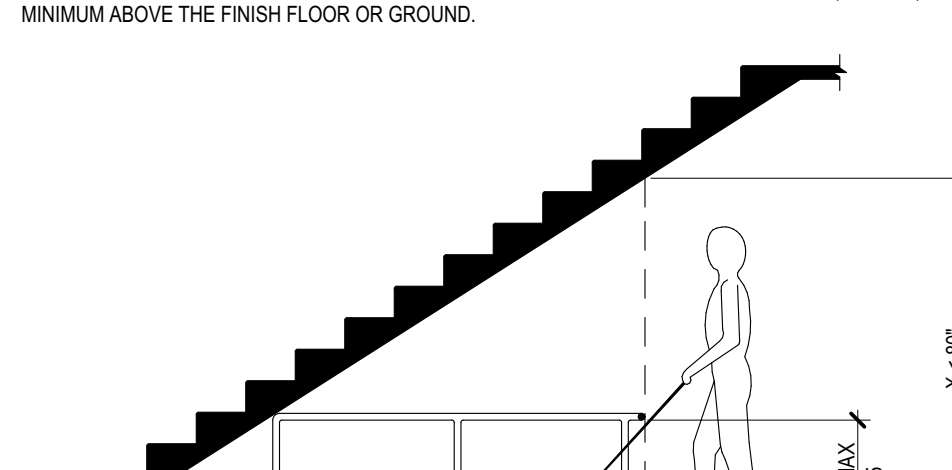


FIGURE 307.4 VERTICAL CLEARANCE

308 REACH RANGES

CHILDREN'S REACH RANGES		
FORWARD OR SIDE REACH	HIGH (MAXIMUM)	LOW (MINIMUM)
AGES 3 AND 4	36 IN (915 MM)	20 IN (510 MM)
AGES 5 THROUGH 8	42 IN (1065 MM)	18 IN (455 MM)
AGES 9 THROUGH 12	44 IN (1120 MM)	16 IN (405 MM)

308.2 FORWARD REACH

308.2.1 UNOBSTRUCTED. WHERE A FORWARD REACH IS UNOBSTRUCTED, THE HIGH FORWARD REACH SHALL BE 48 INCHES (1220 MM) MAXIMUM AND THE LOW FORWARD REACH SHALL BE 15 INCHES (380 MM) MINIMUM ABOVE THE FINISH FLOOR OR GROUND.

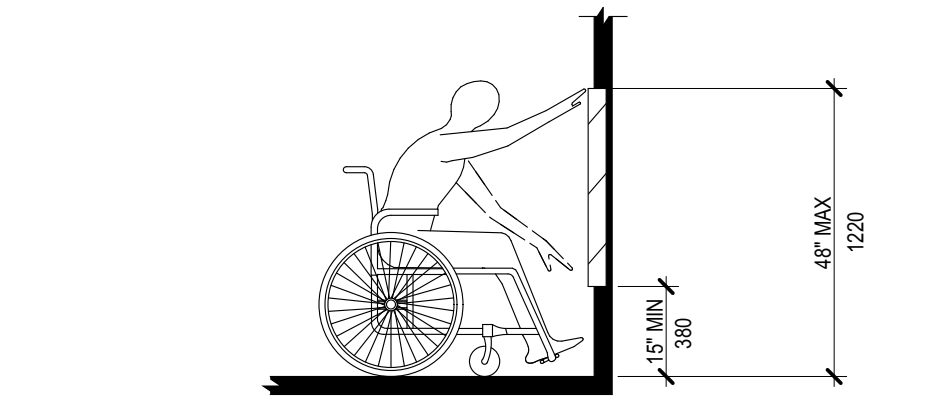


FIGURE 308.2 UNOBSTRUCTED FORWARD REACH

308.2.2 OBSTRUCTED HIGH REACH. WHERE A HIGH FORWARD REACH IS OVER AN OBSTRUCTION, THE CLEAR FLOOR SPACE SHALL EXTEND BENEATH THE ELEMENT FOR A DISTANCE NOT LESS THAN THE REQUIRED REACH DEPTH OVER THE OBSTRUCTION. THE HIGH FORWARD REACH SHALL BE 48 INCHES (1220 MM) MAXIMUM WHERE THE REACH DEPTH IS 20 INCHES (510 MM) MAXIMUM, WHERE THE REACH DEPTH EXCEEDS 20 INCHES (510 MM), THE HIGH FORWARD REACH SHALL BE 44 INCHES (1120 MM) MAXIMUM AND THE REACH DEPTH SHALL BE 25 INCHES (635 MM) MAXIMUM.

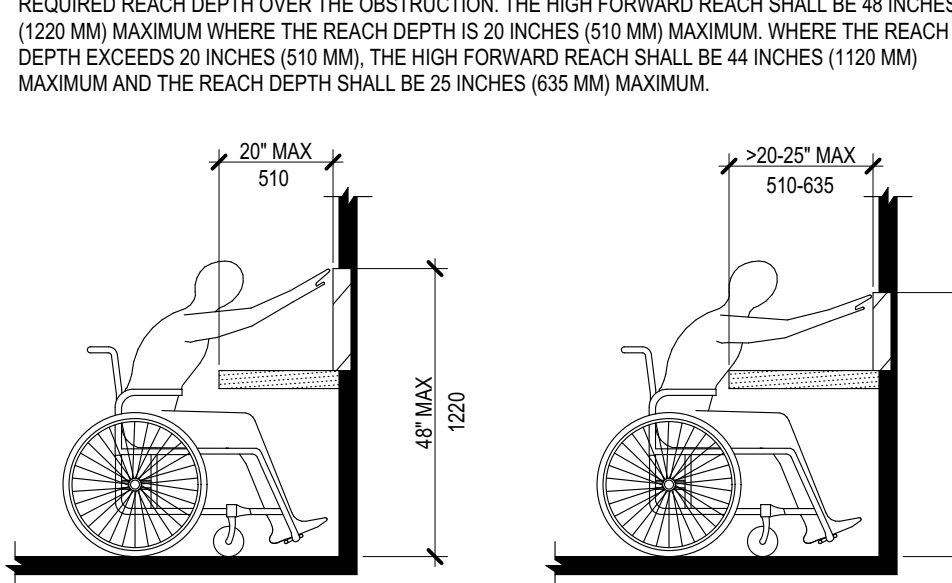


FIGURE 308.3 UNOBSTRUCTED SIDE REACH

308.3 SIDE REACH

308.3.1 UNOBSTRUCTED. WHERE A CLEAR FLOOR OR GROUND SPACE ALLOWS A PARALLEL APPROACH TO AN ELEMENT AND THE SIDE REACH IS UNOBSTRUCTED, THE HIGH SIDE REACH SHALL BE 48 INCHES (1220 MM) MAXIMUM AND THE LOW SIDE REACH SHALL BE 15 INCHES (380 MM) MINIMUM ABOVE THE FINISH FLOOR OR GROUND.

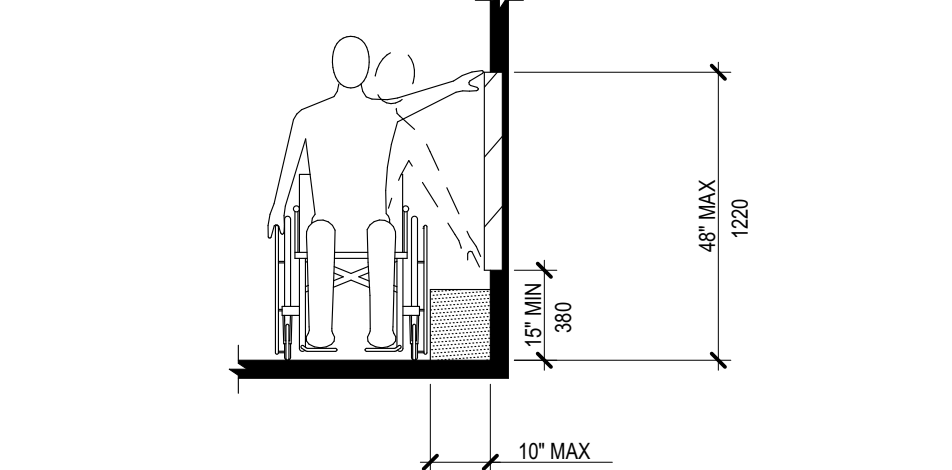


FIGURE 308.3.2 OBSTRUCTED HIGH SIDE REACH

308.3.2 OBSTRUCTED HIGH REACH. WHERE A CLEAR FLOOR OR GROUND SPACE ALLOWS A PARALLEL APPROACH TO AN ELEMENT AND THE HIGH SIDE REACH IS UNOBSTRUCTED, THE HEIGHT OF THE OBSTRUCTION SHALL BE 34 INCHES (865 MM) MAXIMUM AND THE DEPTH OF THE OBSTRUCTION SHALL BE 24 INCHES (610 MM) MAXIMUM. THE HIGH SIDE REACH SHALL BE 48 INCHES (1220 MM) MAXIMUM FOR A REACH DEPTH OF 10 INCHES (255 MM) MAXIMUM, WHERE THE REACH DEPTH EXCEEDS 10 INCHES (255 MM), THE HIGH SIDE REACH SHALL BE 46 INCHES (1170 MM) MAXIMUM FOR A REACH DEPTH OF 24 INCHES (610 MM) MAXIMUM.

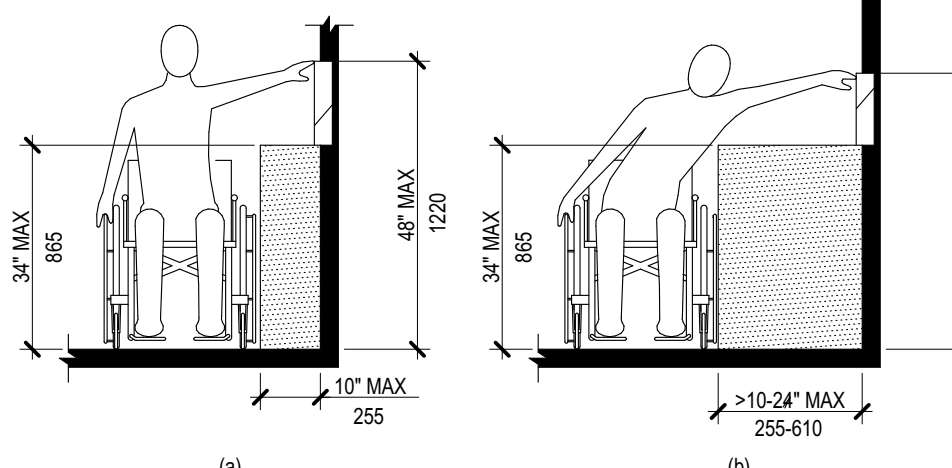


FIGURE 308.3.2 OBSTRUCTED HIGH SIDE REACH

308 OPERABLE PARTS

308.2 CLEAR FLOOR SPACE. A CLEAR FLOOR OR GROUND SPACE COMPLYING WITH 305 SHALL BE PROVIDED. 308.3 HEIGHT. OPERABLE PARTS SHALL BE PLACED WITHIN ONE OR MORE OF THE REACH RANGES SPECIFIED IN 308.

308.4 OPERATION. OPERABLE PARTS SHALL BE OPERABLE WITH ONE HAND AND SHALL NOT REQUIRE TIGHT GRASPING, PINCHING, OR TWISTING OF THE WRIST. THE FORCE REQUIRED TO ACTIVATE OPERABLE PARTS SHALL BE 5 POUNDS (22.2 N) MAXIMUM.

CHAPTER 4: ACCESSIBLE ROUTES

402.2 COMPONENTS. ACCESSIBLE ROUTES SHALL CONSIST OF ONE OR MORE OF THE FOLLOWING COMPONENTS: WALKING SURFACES WITH A RUNNING SLOPE NOT STEEPER THAN 1:20, DOORWAYS, RAMPS, CURB RAMPS EXCLUDING THE FLARED SIDES, ELEVATORS, AND PLATFORM LIFTS. ALL COMPONENTS OF AN ACCESSIBLE ROUTE SHALL COMPLY WITH THE APPLICABLE REQUIREMENTS OF CHAPTER 4.

ADVISORY 402.2 COMPONENTS. WALKING SURFACES MUST HAVE RUNNING SLOPES NOT STEEPER THAN 1:20. SEE 403.3 OTHER COMPONENTS OF ACCESSIBLE ROUTES, SUCH AS RAMPS (405) AND CURB RAMPS (406), ARE PERMITTED TO BE MORE STEEPLY SLOPED.

403 WALKING SURFACES

403.1 GENERAL. WALKING SURFACES THAT ARE A PART OF AN ACCESSIBLE ROUTE SHALL COMPLY WITH 403.

403.2 FLOOR OR GROUND SURFACE. FLOOR OR GROUND SURFACES SHALL COMPLY WITH 302.

403.3 SLOPE. THE RUNNING SLOPE OF WALKING SURFACES SHALL NOT BE STEEPER THAN 1:20. THE CROSS SLOPE OF WALKING SURFACES SHALL NOT BE STEEPER THAN 1:48.

403.4 CHANGES IN LEVEL. CHANGES IN LEVEL SHALL COMPLY WITH 303.

403.5 CLEARANCES. WALKING SURFACES SHALL PROVIDE CLEARANCES COMPLYING WITH 403.5. EXCEPTION: WITHIN EMPLOYEE WORK AREAS, CLEARANCES ON COMMON USE CIRCULATION PATHS SHALL BE PERMITTED TO BE DECREASED BY WORK AREA EQUIPMENT PROVIDED THAT THE DECREASE IS ESSENTIAL TO THE FUNCTION OF THE WORK BEING PERFORMED.

403.6 CLEAR WIDTH. EXCEPT AS PROVIDED IN 403.5.2 AND 403.5.3, THE CLEAR WIDTH OF WALKING SURFACES SHALL BE 36 INCHES (915 MM) MINIMUM.

EXCEPTION: THE CLEAR WIDTH SHALL BE PERMITTED TO BE REDUCED TO 32 INCHES (815 MM) MINIMUM FOR A LENGTH OF 24 INCHES (610 MM) MAXIMUM PROVIDED THAT REDUCED WIDTH SEGMENTS ARE SEPARATED BY SEGMENTS THAT ARE 48 INCHES (1220 MM) LONG MINIMUM AND 36 INCHES (915 MM) WIDE MINIMUM.

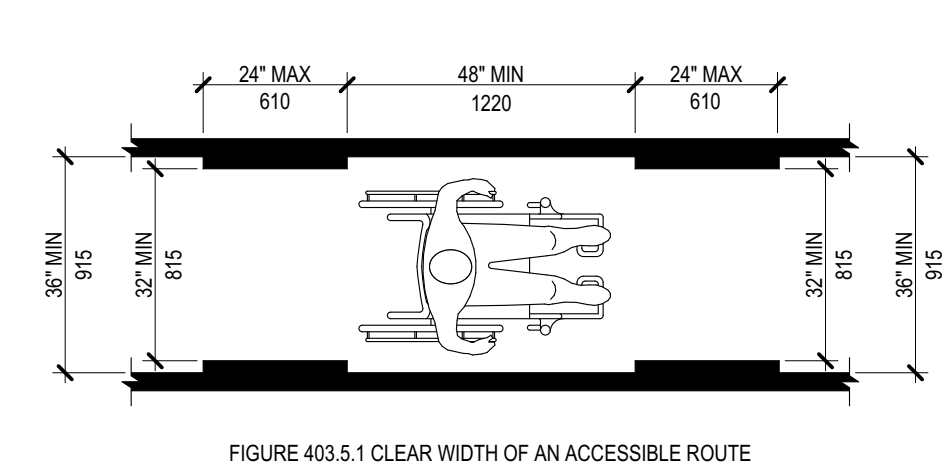


FIGURE 403.5.1 CLEAR WIDTH OF AN ACCESSIBLE ROUTE

403.5.2 CLEAR WIDTH AT TURN. WHERE THE ACCESSIBLE ROUTE MAKES A 180 DEGREE TURN AROUND AN ELEMENT WHICH IS LESS THAN 48 INCHES (1220 MM) WIDE, CLEAR WIDTH SHALL BE 42 INCHES (1065 MM) MINIMUM APPROACHING THE TURN, 48 INCHES (1220 MM) MINIMUM AT THE TURN AND 42 INCHES (1065 MM) MINIMUM LEAVING THE TURN.

403.5.3 CLEAR WIDTH AT TURN. WHERE THE ACCESSIBLE ROUTE MAKES A 180 DEGREE TURN AROUND AN ELEMENT WHICH IS LESS THAN 48 INCHES (1220 MM) WIDE, CLEAR WIDTH SHALL BE 42 INCHES (1065 MM) MINIMUM APPROACHING THE TURN, 48 INCHES (1220 MM) MINIMUM AT THE TURN AND 42 INCHES (1065 MM) MINIMUM LEAVING THE TURN.

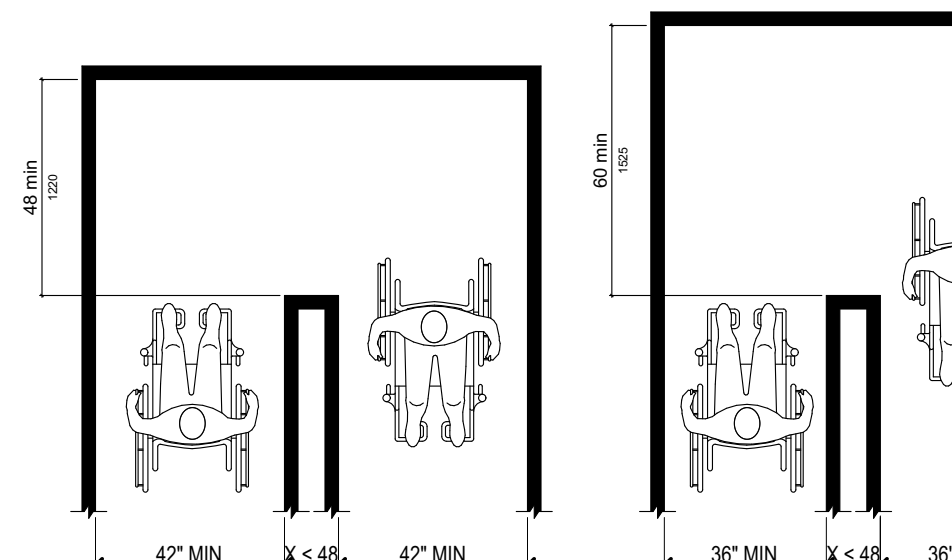


FIGURE 403.5.2 CLEAR WIDTH AT TURN

403.5.3 PASSING SPACES. AN ACCESSIBLE ROUTE WITH A CLEAR WIDTH LESS THAN 60 INCHES (1525 MM) SHALL PROVIDE PASSING SPACES AT INTERVALS OF 200 FEET (61 M) MAXIMUM.

404 DOORS, DOORWAYS, AND GATES

404.2.3 CLEAR WIDTH. DOOR OPENINGS SHALL PROVIDE A CLEAR WIDTH OF 32 INCHES (815 MM) MINIMUM. CLEAR OPENINGS OF DOORWAYS WITH SWINGING DOORS SHALL BE MEASURED BETWEEN THE FACE OF THE DOOR AND THE STOP. WITH THE DOOR OPEN 90 DEGREES, OPENINGS MORE THAN 24 INCHES (610 MM) DEEP SHALL PROVIDE A CLEAR OPENING OF 38 INCHES (965 MM) MINIMUM. THERE SHALL BE NO PROJECTIONS INTO THE REQUIRED CLEAR OPENING WITH LOWER THAN 34 INCHES (865 MM) ABOVE THE FINISH FLOOR OR GROUND. PROJECTIONS INTO THE CLEAR OPENING WITHIN 34 INCHES (865 MM) AND 30 INCHES (760 MM) ABOVE THE FINISH FLOOR OR GROUND SHALL NOT EXCEED 4 INCHES (100 MM).

404.2.4 MANEUVERING CLEARANCES. MINIMUM MANEUVERING CLEARANCES AT DOORS AND GATES SHALL COMPLY WITH 404.2.4. MANEUVERING CLEARANCES SHALL EXTEND THE FULL WIDTH OF THE DOORWAY AND THE REQUIRED LATCH SIDE OR HINGE SIDE CLEARANCE.

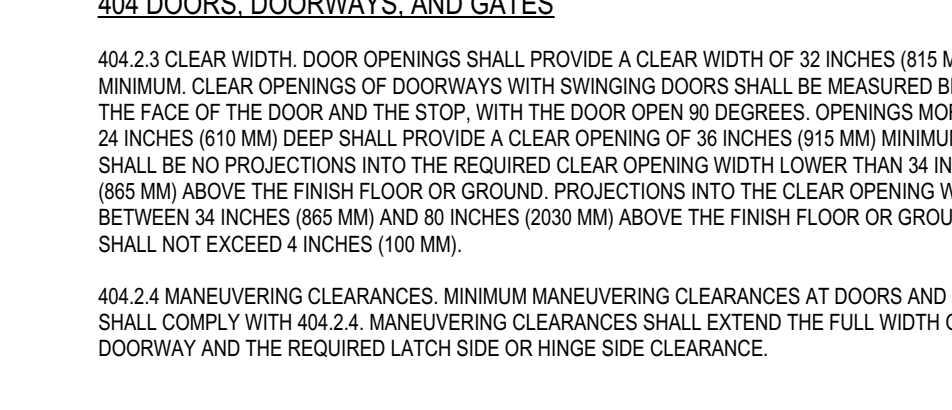


FIGURE 404.2.3 CLEAR WIDTH OF DOORWAYS

404.2.4.3 RECESSED DOORS AND GATES. MANEUVERING CLEARANCES FOR FORWARD APPROACH SHALL BE PROVIDED WHEN ANY OBSTRUCTION WITHIN 18 INCHES (455 MM) OF THE LATCH SIDE OF A DOORWAY PROJECTS MORE THAN 8 INCHES (205 MM) BEYOND THE FACE OF THE DOOR, MEASURED PERPENDICULAR TO THE FACE OF THE DOOR OR GATE.

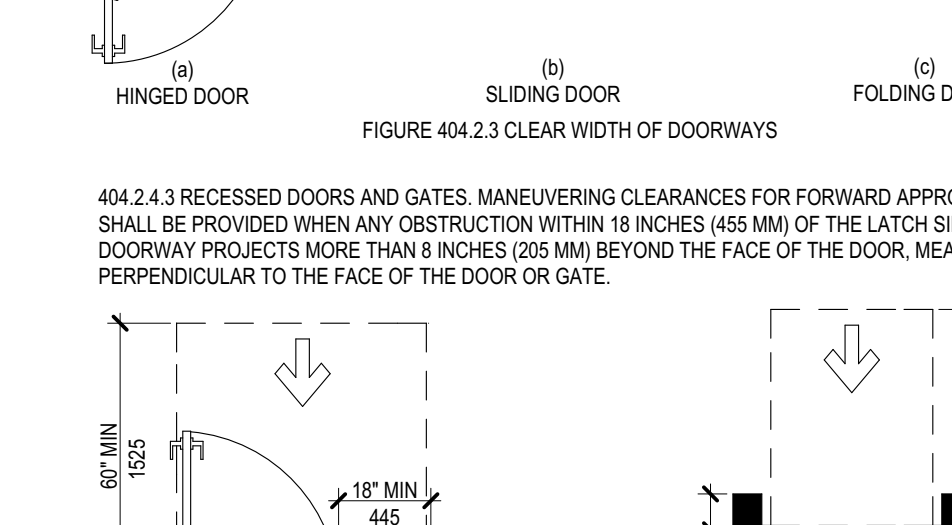


FIGURE 404.2.4.3 MANEUVERING CLEARANCES AT RECESSED DOORS AND GATES

404.2.6 DOORS IN SERIES AND GATES IN SERIES. THE DISTANCE BETWEEN TWO HINGED OR PIVOTED DOORS IN SERIES AND GATES IN SERIES SHALL BE 48 INCHES (1220 MM) MINIMUM PLUS THE WIDTH OF DOORS OR GATES SWINGING INTO THE SPACE.

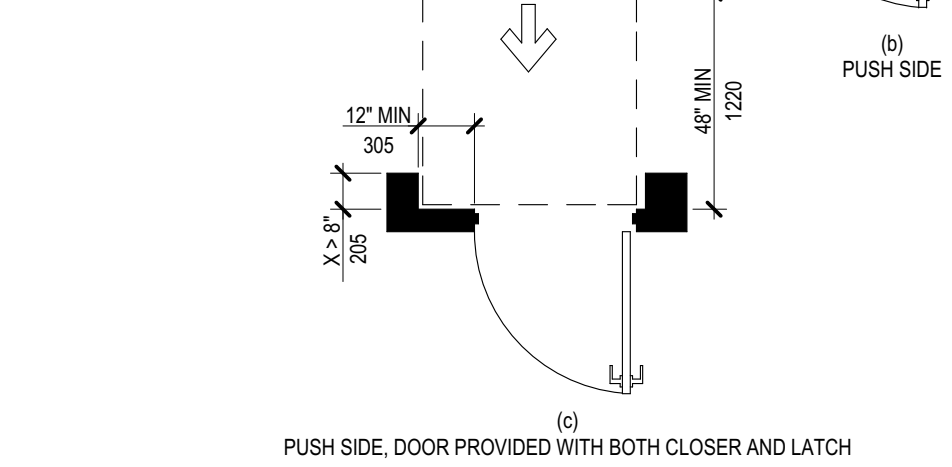


FIGURE 404.2.6 DOORS IN SERIES AND GATES IN SERIES

404.2.7 DOOR AND GATE HARDWARE. HANDLES, PULLS, LATCHES, LOCKS, AND OTHER OPERABLE PARTS ON DOORS AND GATES SHALL COMPLY WITH 308.4. OPERABLE PARTS OF SUCH HARDWARE SHALL BE 34 INCHES (865 MM) MINIMUM AND 48 INCHES (1220 MM) MAXIMUM ABOVE THE FINISH FLOOR OR GROUND, WHERE SLIDING DOORS ARE IN THE FULLY OPEN POSITION, OPERATING HARDWARE SHALL BE EXPOSED AND USABLE FROM BOTH SIDES.

404.2.8 DOOR CLOSERS AND GATE CLOSERS. DOOR CLOSERS AND GATE CLOSERS SHALL BE ADJUSTED SO THAT FROM AN OPEN POSITION OF 90 DEGREES, THE TIME REQUIRED TO MOVE THE DOOR TO A POSITION OF 12 DEGREES FROM THE LATCH IS 5 SECONDS MINIMUM.

404.2.9 SPRING HINGES. DOOR AND GATE SPRING HINGES SHALL BE ADJUSTED SO THAT FROM THE OPEN POSITION OF 70 DEGREES, THE DOOR OR GATE SHALL MOVE TO THE CLOSED POSITION IN 1.5 SECONDS MINIMUM.

404.2.10 DOOR AND GATE OPENING FORCE. FIRE DOORS SHALL HAVE A MINIMUM OPENING FORCE ALLOWABLE BY THE APPROPRIATE ADMINISTRATIVE AUTHORITY. THE FORCE FOR PUSHING OR PULLING OPEN A DOOR OR GATE OTHER THAN FIRE DOORS SHALL BE AS FOLLOWS:

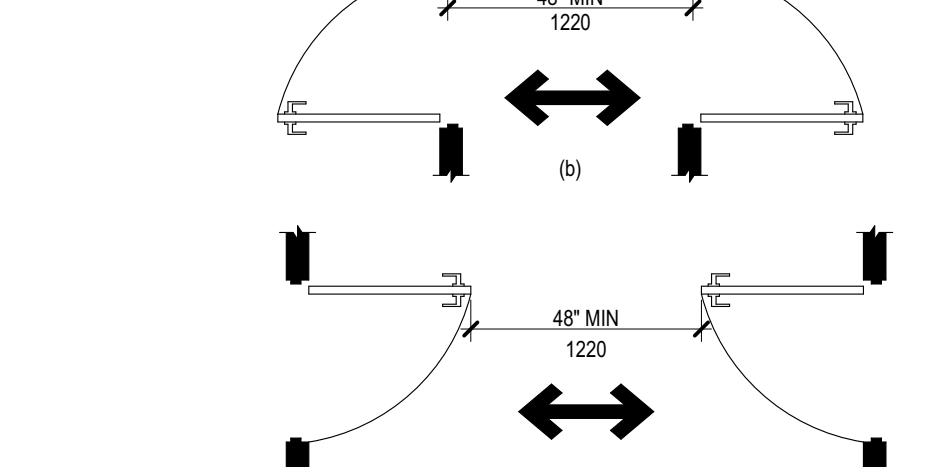


FIGURE 404.2.10 DOOR AND GATE OPENING FORCE

404.2.11 VISION LIGHTS. DOORS, GATES, AND SIDE LIGHTS ADJACENT TO DOORS OR GATES, CONTAINING ONE OR MORE GLAZING PANELS THAT PERMIT VIEWING THROUGH THE PANELS SHALL HAVE THE BOTTOM OF AT LEAST ONE GLAZED PANEL LOCATED 9 INCHES (228 MM) MAXIMUM ABOVE THE FINISH FLOOR.

404.2.12 AUTOMATIC AND POWER-ASSISTED DOORS AND GATES. AUTOMATIC DOORS AND AUTOMATIC GATES SHALL COMPLY WITH 404.3. FULL-POWERED AUTOMATIC DOORS SHALL COMPLY WITH ANSIBHMA A196.10 (INCORPORATED BY REFERENCE. SEE "REFERENCED STANDARDS" IN CHAPTER 1), LOW-ENERGY AND POWER-ASSISTED DOORS SHALL COMPLY WITH ANSIBHMA A196.10 (1997 OR 2002 EDITION, INCORPORATED BY REFERENCE. SEE "REFERENCED STANDARDS" IN CHAPTER 1).

404.2.13 MANEUVERING CLEARANCE. CLEARANCES AT POWER-ASSISTED DOORS AND GATES SHALL COMPLY WITH 404.2.4. CLEARANCES AT AUTOMATIC DOORS AND GATES WITHOUT STANDBY POWER AND SERVING AN ACCESSIBLE MEANS OF EGRESS SHALL COMPLY WITH 404.2.4.

404.2.14 REVOLVING DOORS, REVOLVING GATES, AND TURNSTILES. REVOLVING DOORS, REVOLVING GATES, AND TURNSTILES SHALL NOT BE PART OF AN ACCESSIBLE ROUTE.

405 RAMPS

405.2 SLOPE. RAMP RUNS SHALL HAVE A RUNNING SLOPE NOT STEEPER THAN 1:12.

405.3 CROSS SLOPE. CROSS SLOPE OF RAMP RUNS SHALL NOT BE STEEPER THAN 1:48.

405.5 CLEAR WIDTH. THE CLEAR WIDTH OF A RAMP RUN AND, WHERE HANDRAILS ARE PROVIDED, THE CLEAR WIDTH BETWEEN HANDRAILS SHALL BE 36 INCHES (915 MM) MINIMUM.

405.6 RISE. THE RISE FOR ANY RAMP RUN SHALL BE 30 INCHES (760 MM) MAXIMUM.

405.7 LANDINGS. RAMPS SHALL HAVE LANDINGS AT THE TOP AND THE BOTTOM OF EACH RAMP RUN. LANDINGS SHALL COMPLY WITH 405.7.

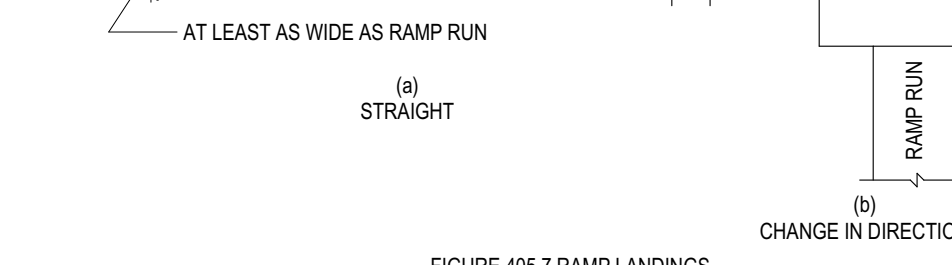


FIGURE 405.7 RAMP LANDINGS

405.7.1 SLOPE. LANDINGS SHALL HAVE SLOPE NOT STEEPER THAN 1:48. CHANGES IN LEVEL ARE NOT PERMITTED.

405.7.2 WIDTH. THE LANDING CLEAR WIDTH SHALL BE AT LEAST AS WIDE AS THE WIDEST RAMP RUN LEADING TO THE LANDING.

405.7.3 LENGTH. THE LANDING CLEAR LENGTH SHALL BE 60 INCHES (1525 MM) LONG MINIMUM.

405.7.4 CHANGE IN DIRECTION. RAMPS THAT CHANGE DIRECTION BETWEEN RAMPS IN LANDINGS SHALL HAVE A CLEAR LENGTH OF 60 INCHES (1525 MM) MINIMUM BY 60 INCHES (1525 MM) MINIMUM.

405.7.5 DOORWAYS. WHERE DOORWAYS ARE LOCATED ADJACENT TO A RAMP LANDING, MANEUVERING CLEARANCES REQUIRED BY 404.2.4 AND 404.3.2 SHALL BE PERMITTED TO OVERLAP THE REQUIRED LANDING.

405.8 HANDRAILS. RAMP RUNS WITH A RISE GREATER THAN 6 INCHES (150 MM) SHALL HAVE HANDRAILS COMPLYING WITH 505.

405.9 EDGE PROTECTION. EDGE PROTECTION COMPLYING WITH 405.9.1 OR 405.9.2 SHALL BE PROVIDED ON EACH SIDE OF RAMP RUNS AND AT EACH SIDE OF RAMP LANDINGS.

405.9.1 EXTENDED FLOOR OR GROUND SURFACE. THE FLOOR OR GROUND SURFACE OF THE RAMP RUN OR LANDING SHALL EXTEND 12 INCHES (305 MM) MINIMUM BEYOND THE INSIDE FACE OF A HANDRAIL, COMPLYING WITH 505.

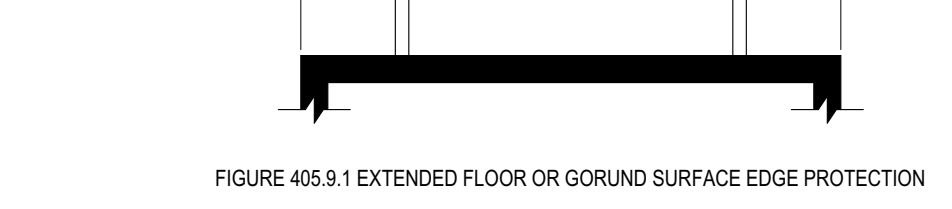


FIGURE 405.9.1 EXTENDED FLOOR OR GROUND SURFACE EDGE PROTECTION

405.9.2 CURB OR BARRIER. A CURB OR BARRIER SHALL BE PROVIDED THAT PREVENTS THE PASSAGE OF A 4 INCH (100 MM) DIAMETER SPHERE, WHERE ANY PORTION OF THE SPHERE IS WITHIN 4 INCHES (100 MM) OF THE FINISH FLOOR OR GROUND SURFACE.

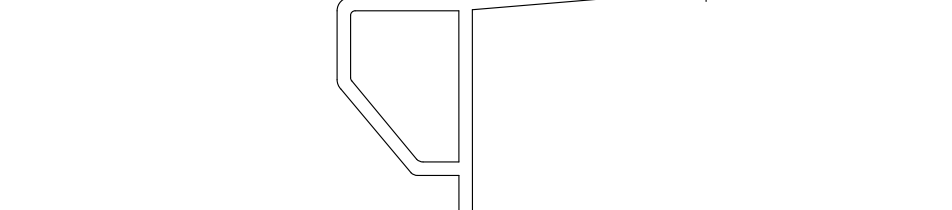


FIGURE 405.9.2 CURB OR BARRIER EDGE PROTECTION

406 CURB RAMPS

406.1 GENERAL. CURB RAMPS ON ACCESSIBLE ROUTES SHALL COMPLY WITH 406.4.2 THROUGH 406.5.5 AND 406.5.10.

406.2 COUNTER SLOPE. COUNTER SLOPES OF ADJOINING GUTTERS AND ROAD SURFACES IMMEDIATELY ADJACENT TO THE CURB RAMP SHALL NOT BE STEEPER THAN 1:20. THE ADJACENT SURFACES AT TRANSITIONS TO CURB RAMPS TO WALKS, GUTTERS, AND STREETS SHALL BE AT THE SAME LEVEL.

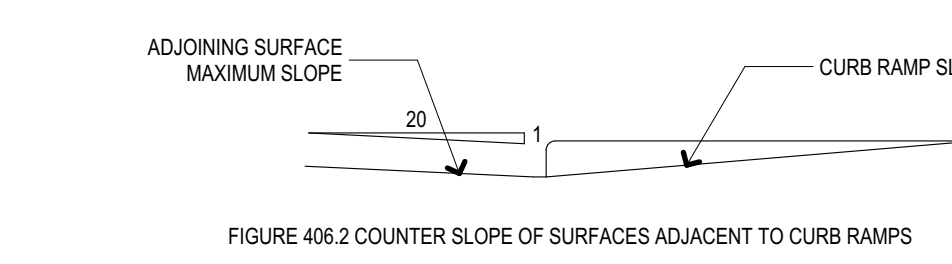


FIGURE 406.2 COUNTER SLOPE OF SURFACES ADJACENT TO CURB RAMPS

406.3 SIDES OF CURB RAMPS. WHERE PROVIDED, CURB RAMP FLARES SHALL NOT BE STEEPER THAN 1:10.

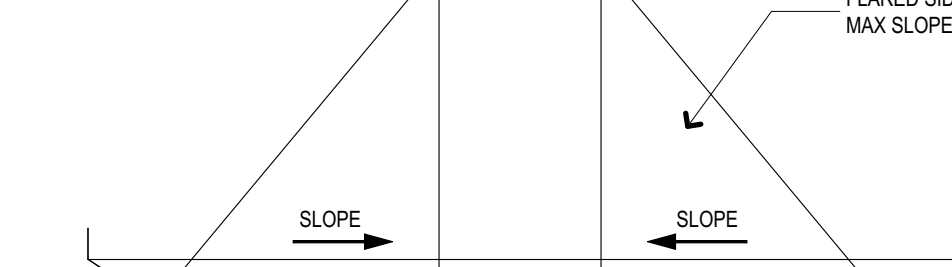


FIGURE 406.3 SIDES OF CURB RAMPS

406.4 LANDINGS. LANDINGS SHALL BE PROVIDED AT THE TOPS OF CURB RAMPS. THE LANDING CLEAR LENGTH SHALL BE 36 INCHES (915 MM) MINIMUM. THE LANDING CLEAR WIDTH SHALL BE AT LEAST AS WIDE AS THE CURB RAMP, EXCLUDING FLARED SIDES, LEADING TO THE LANDING.

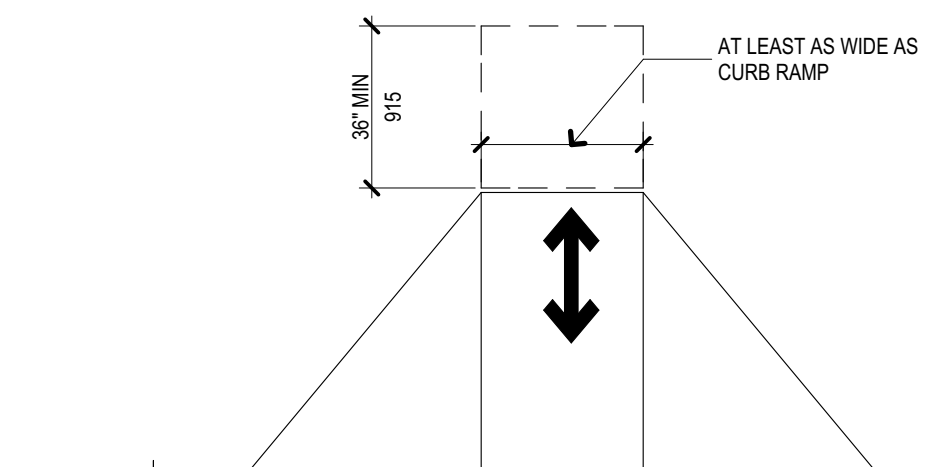


FIGURE 406.4 LANDINGS AT THE TOP OF CURB RAMPS

406.5 LOCATION. CURB RAMPS AND THE FLARED SIDES OF CURB RAMPS SHALL BE LOCATED SO THAT THEY DO NOT PROJECT INTO VEHICULAR TRAFFIC LANES, PARKING SPACES, OR PARKING ACCESSIBLE CURB RAMPS AT MARKED CROSSINGS SHALL BE WHOLLY CONTAINED WITHIN THE MARKINGS, EXCLUDING ANY FLARED SIDES.

406.6 DIAGONAL CURB RAMPS. DIAGONAL OR CORNER TYPE CURB RAMPS WITH RETURNED CURBS OR OTHER WELL-DEFINED EDGES SHALL HAVE THE EDGES PARALLEL TO THE DIRECTION OF PEDESTRIAN FLOW. THE BOTTOM OF DIAGONAL CURB RAMPS SHALL HAVE A CLEAR SPACE 48 INCHES (1220 MM) MINIMUM OUTSIDE ACTIVE TRAFFIC LANES OF THE ROADWAY. DIAGONAL CURB RAMPS PROVIDED AT MARKED CROSSINGS SHALL PROVIDE THE 48 INCHES (1220 MM) MINIMUM CLEAR SPACE WITHIN THE MARKINGS. DIAGONAL CURB RAMPS WITH FLARED SIDES SHALL HAVE A SEGMENT OF CURB 24 INCHES (610 MM) LONG MINIMUM LOCATED ON EACH SIDE OF THE CURB RAMP AND WITHIN THE MARKED CROSSING.

406.7 ISLANDS. RAISED ISLANDS IN CROSSINGS SHALL BE CUT THROUGH LEVEL WITH THE STREET OR HAVE CURB RAMPS AT BOTH SIDES. EACH CURB RAMP SHALL HAVE A LEVEL AREA 48 INCHES (1220 MM) LONG MINIMUM BY 36 INCHES (915 MM) WIDE MINIMUM AT THE TOP OF THE CURB RAMP IN THE PART OF THE ISLAND INTERSECTED BY THE CROSSING. EACH 48 INCH (1220 MM) MINIMUM LENGTH IS IN THE DIRECTION OF THE