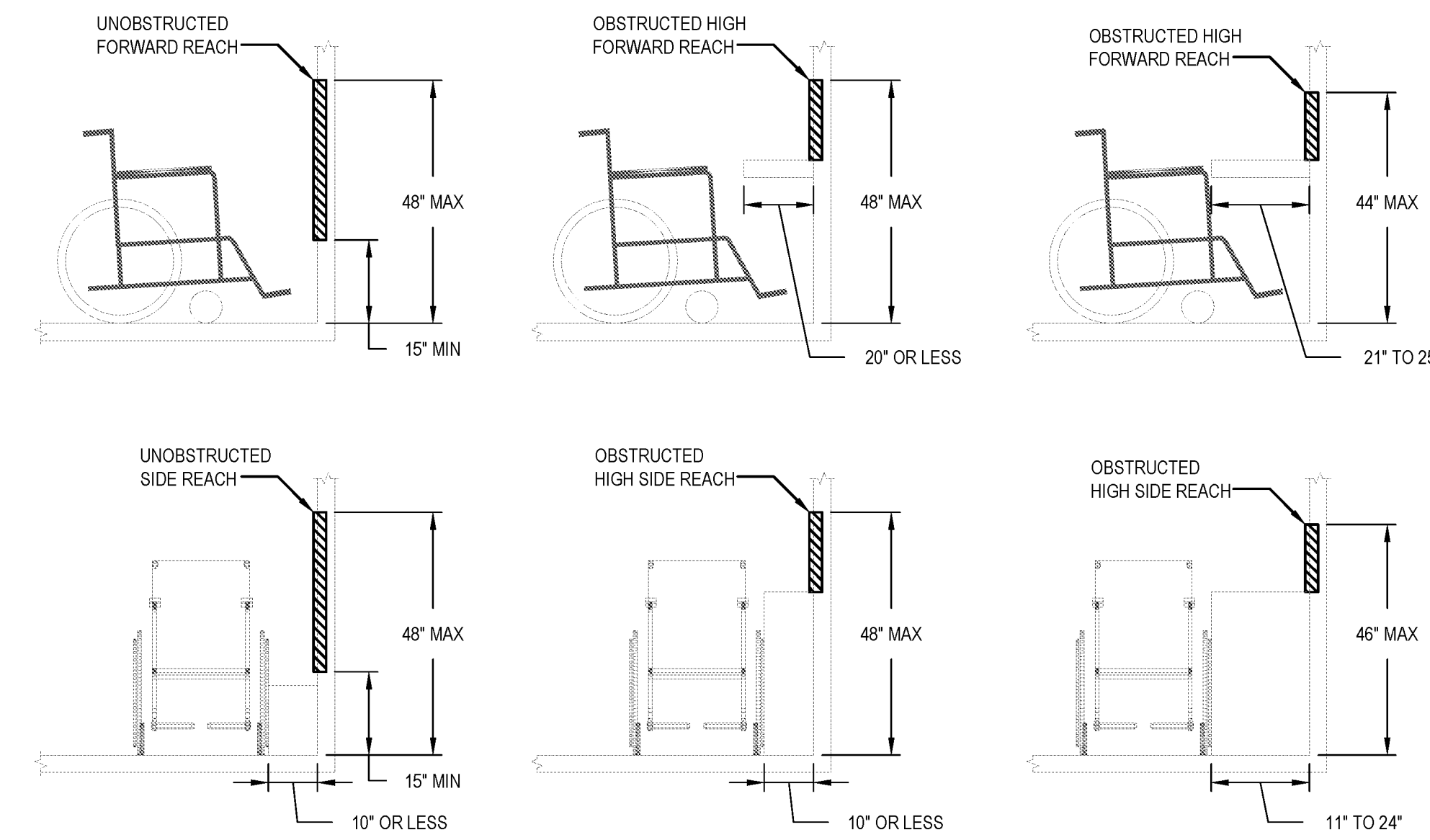
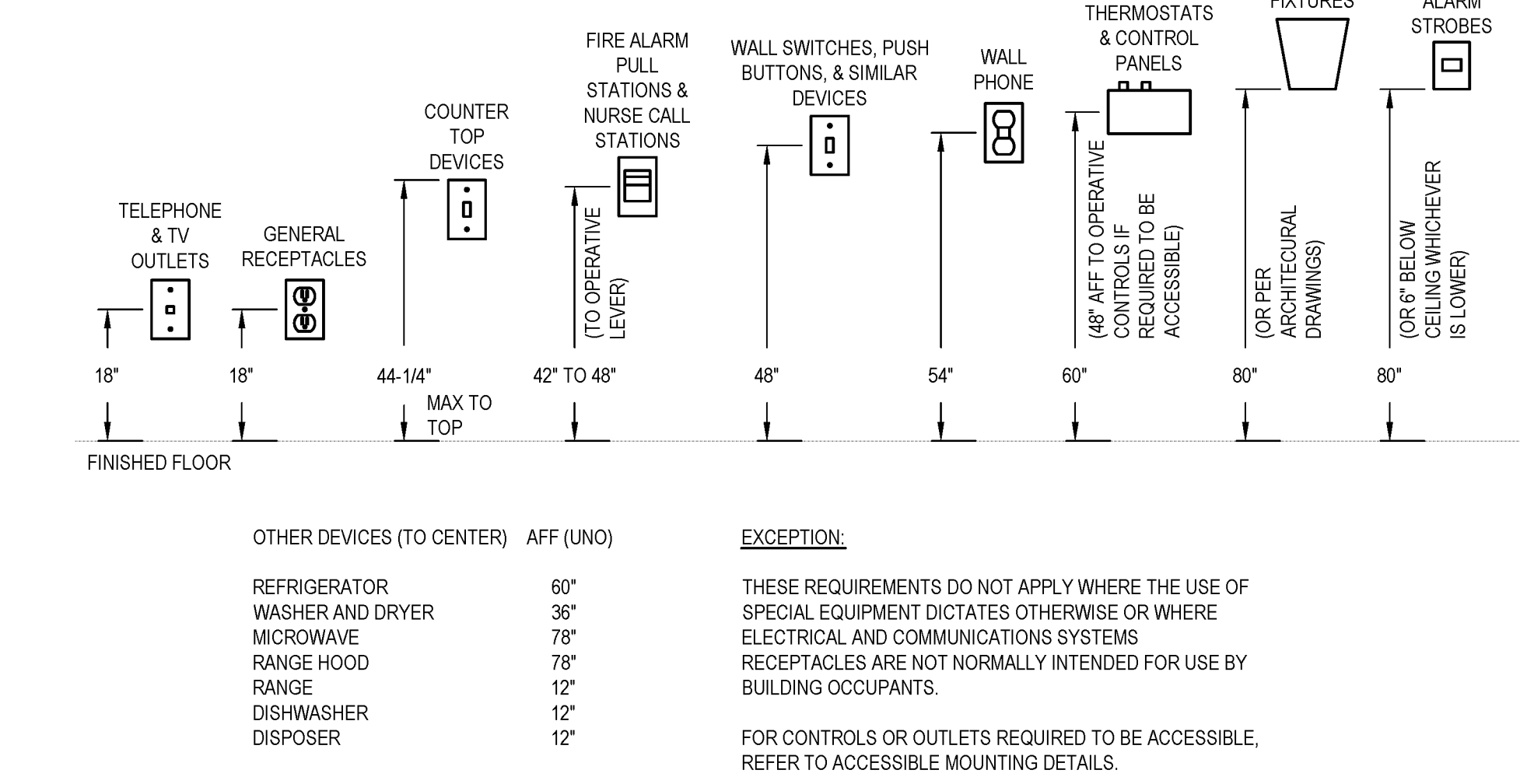


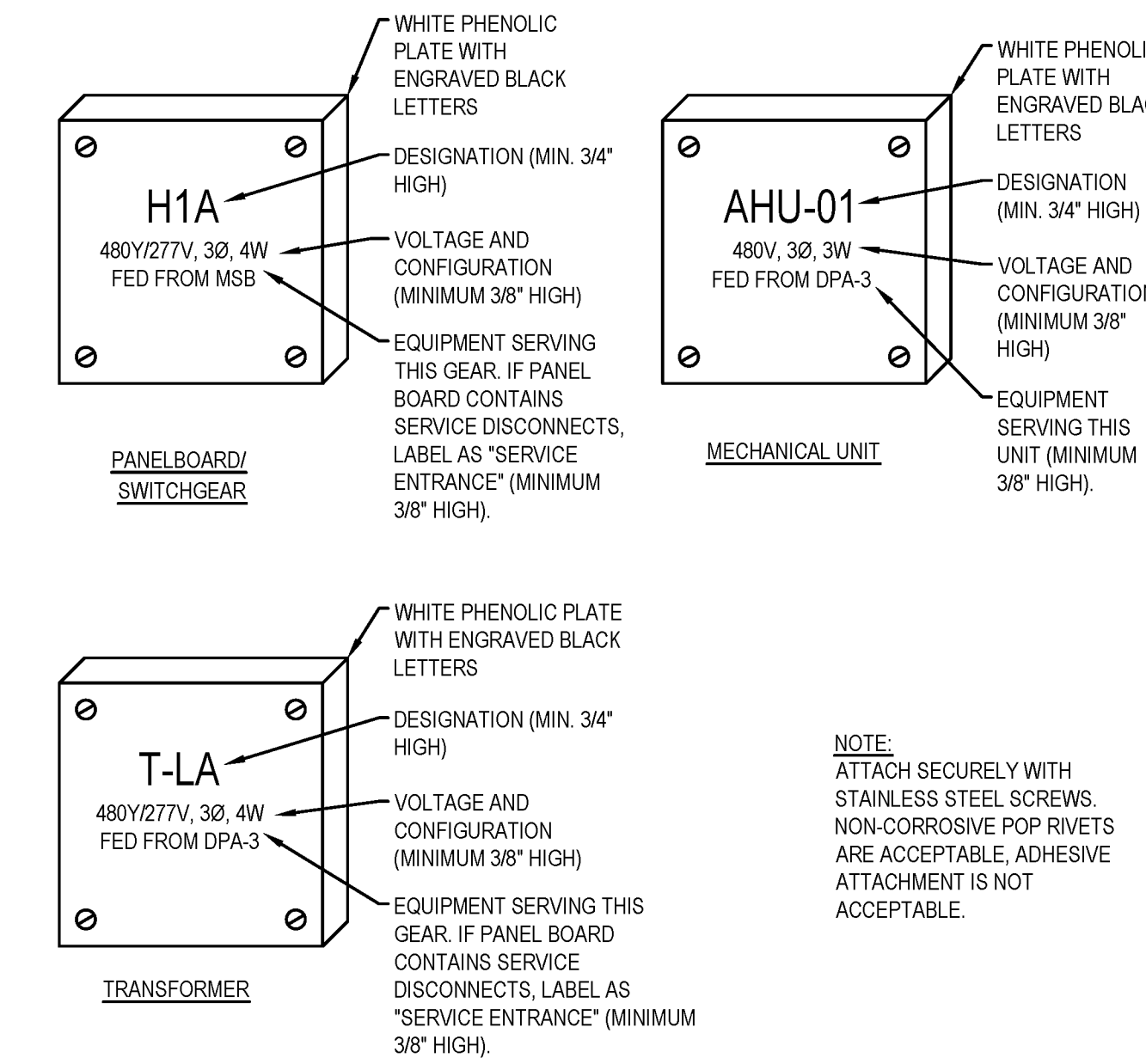
1 | DEVICE MOUNTING DETAIL - ACCESSIBILITY AT COUNTERTOPS
E5.1 | NTS



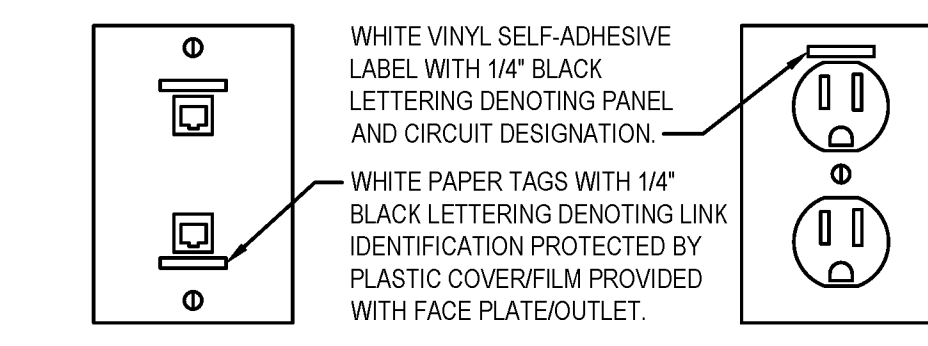
2 | DEVICE MOUNTING DETAIL - ACCESSIBILITY REQUIRED
E5.1 | NTS



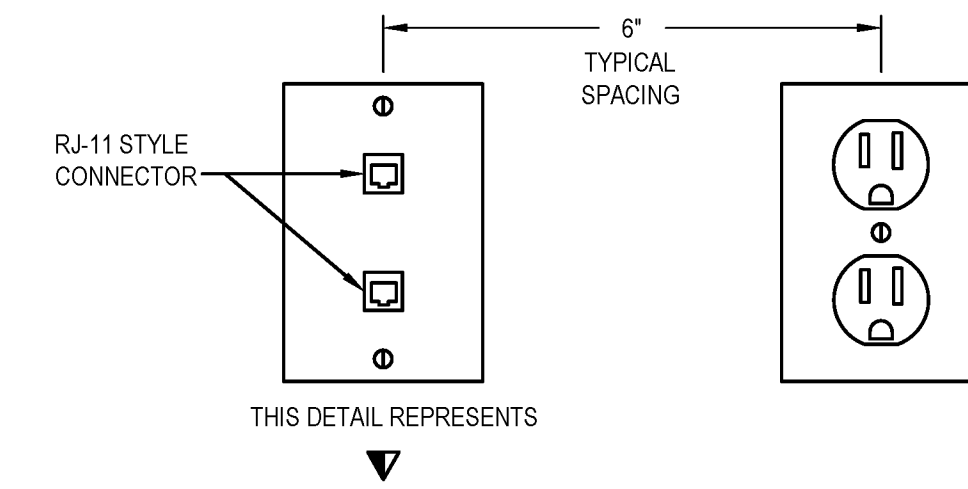
5 | DEVICE MOUNTING DETAIL - GENERAL
E5.1 | NTS



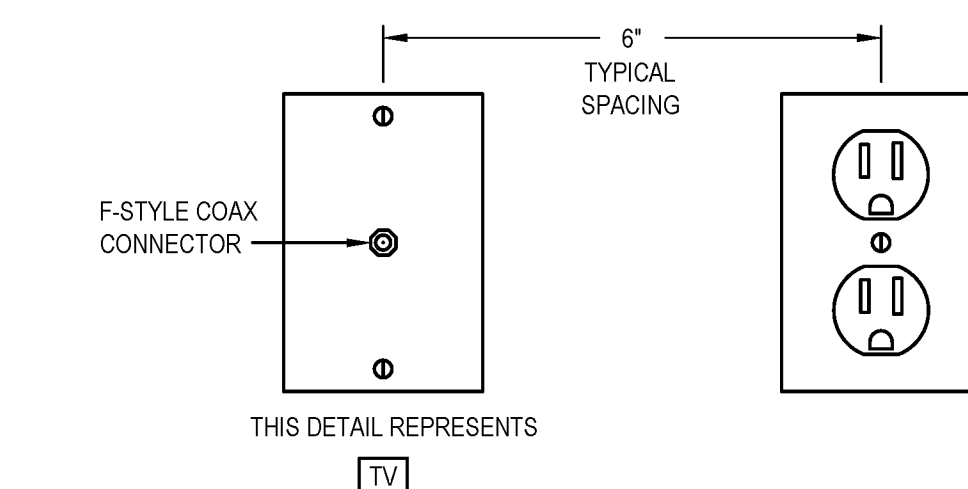
6 | EQUIPMENT IDENTIFICATION DETAIL
E5.1 | NTS



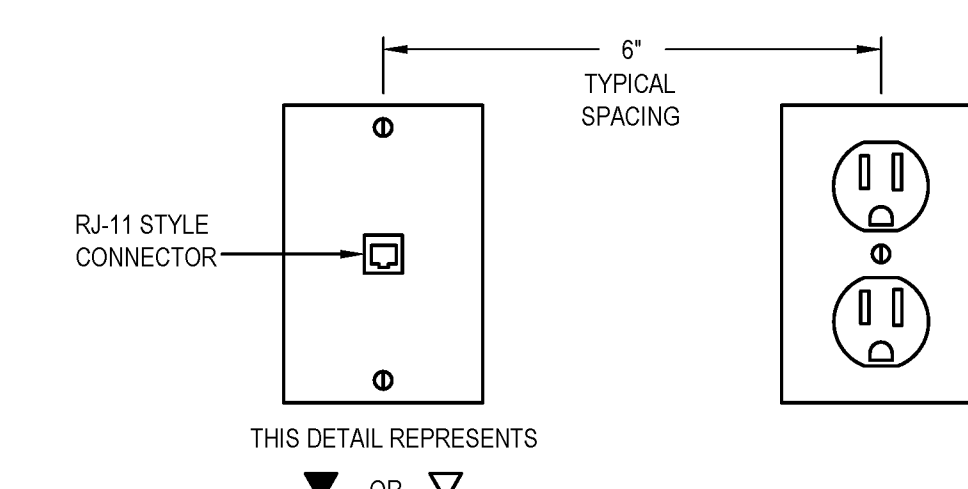
3 | DEVICE IDENTIFICATION DETAIL
E5.1 | NTS



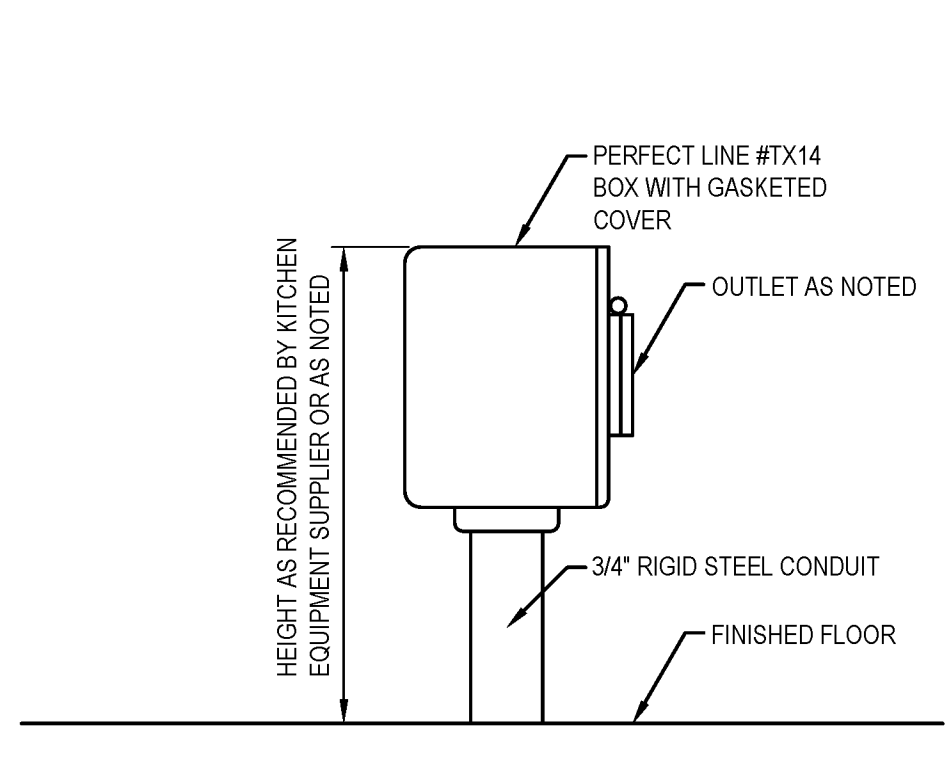
4 | TELEPHONE & DATA COMBINATION OUTLET DETAIL
E5.1 | NTS



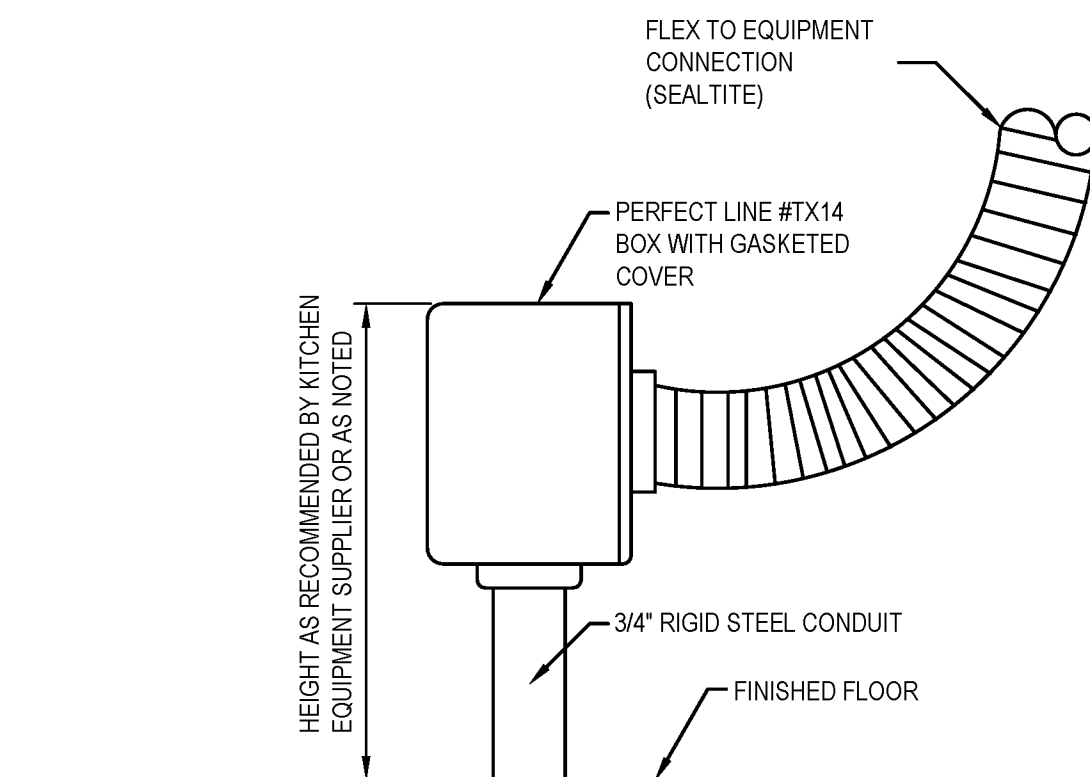
7 | CABLE TELEVISION OUTLET DETAIL
E5.1 | NTS



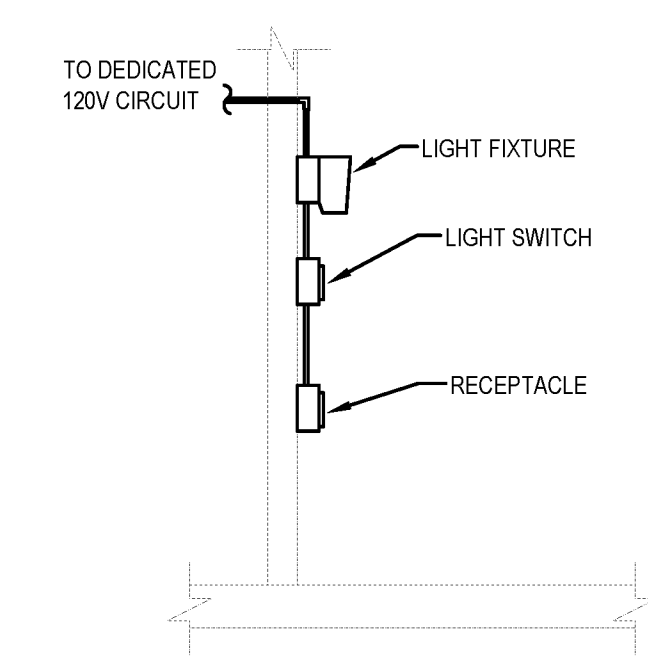
8 | TELEPHONE OR DATA OUTLET DETAIL
E5.1 | NTS



9 | KITCHEN RECEPTACLE STUB-UP DETAIL
E5.1 | NTS



10 | KITCHEN FLEX CONNECTION STUB-UP DETAIL
E5.1 | NTS



11 | ELEVATOR PIT LIGHTING & RECEPTACLE DETAIL
E5.1 | NTS

CONTRACTOR NOTE
IT IS THE RESPONSIBILITY OF THE CONTRACTOR TO NOTIFY THE ARCHITECT, LANDLORD AND TENANT OF ANY DISCREPANCIES ENCOUNTERED ON THE PLANS OR IN EXISTING SITE CONDITIONS PRIOR TO SUBMISSION OF BID.
BIDDERS ARE TO VISIT THE SITE AND FAMILIARIZE THEMSELVES AS TO THE NATURE AND SCOPE OF THE WORK. THE BASE BID SHALL REFLECT MODIFICATIONS TO SYSTEMS AND DEVICES AS REQUIRED BY STATE, LOCAL AND FEDERAL CODES WHETHER INDICATED OR NOT ON CONTRACT DOCUMENTS. THE SUBMISSIONS OF A BID WILL BE EVIDENCE THAT SUCH AN EXAMINATION AND COMPLIANCE WITH GOVERNING CODES/REQUIREMENTS HAS BEEN MADE. LATER CLAIMS FOR LABOR, EQUIPMENT, OR MATERIALS REQUIRED, OR FOR DIFFICULTIES ENCOUNTERED WHICH COULD HAVE BEEN FORESEEN HAD AN EXAMINATION AND CODE/REQUIREMENTS REVIEW BEEN MADE, WILL NOT BE ALLOWED.

BIM Server: Saved 2012 - BIM Server (18 01/14/17 Concordia Baton Rouge) Ver: 18.001 Wednesday, September 02, 2015 1:04 PM