



PLAN NOTES:

- CONNECT ALL LIGHTING IN THIS STAIRWAY TO ONE CIRCUIT AS INDICATED ON FIRST FLOOR PLAN.
- PROVIDE LIGHTING CONTROL PANEL BY GREENGATE OR EQUIVAL TO CONTROL ALL LIGHTING AND TENANT SIGNAGE. SEE DETAIL #29 THIS SHEET E1.1.1.1 OR MORE INFORMATION.

GENERAL NOTES:

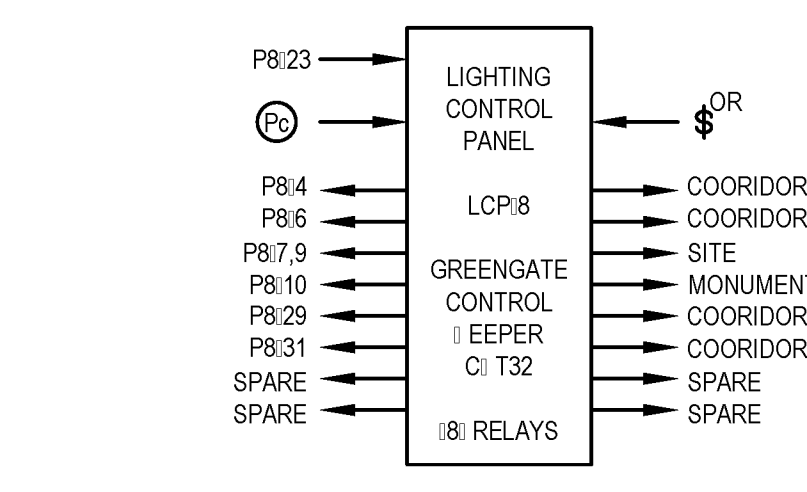
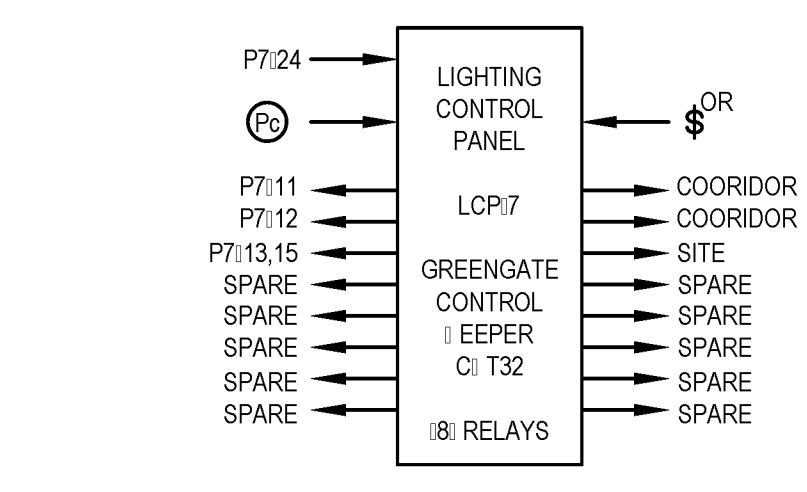
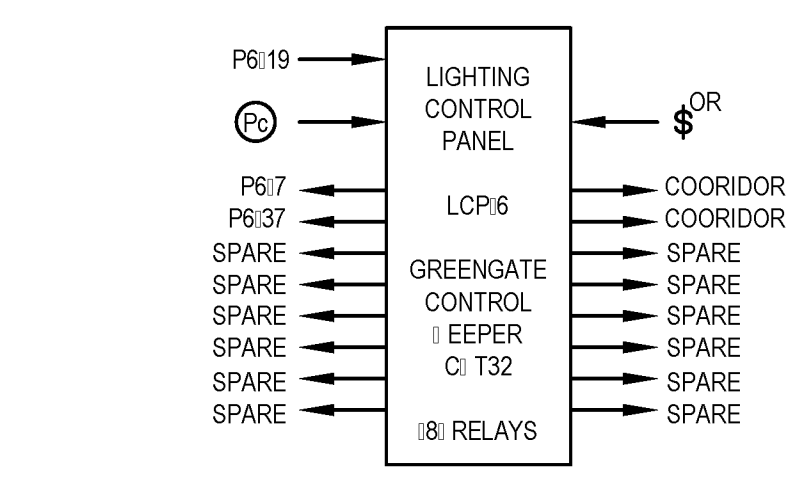
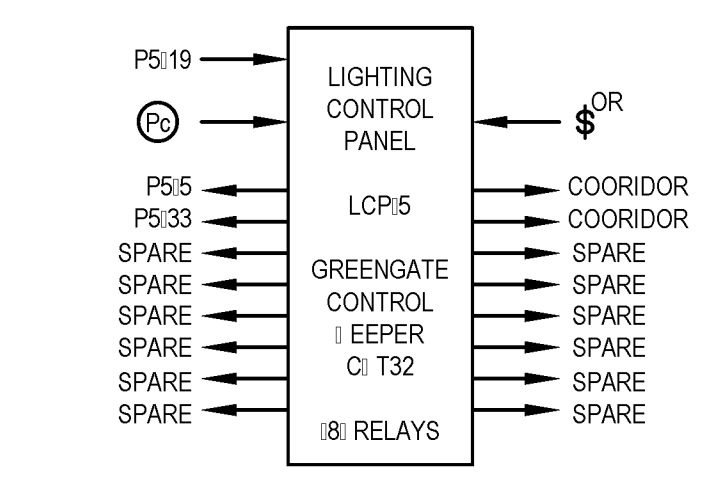
- ALL OR: SHALL MEET OR EXCEED ALL NEC STANDARDS.
- SEE MAIN ELECTRICAL GENERAL NOTES FOR MORE INFORMATION.
- COORDINATE ALL OR: WITH OTHER TRADES PRIOR TO ROUGH-IN.
- VERIFY ELECTRICAL LOCATIONS AND MOUNTING HEIGHTS FOR ALL LIGHTING AND DEVICES PRIOR TO ROUGH-IN.
- ALL EMERGENCY LIGHTING SHALL BE PROVIDED WITH AN UNSTITCHED CONDUCTOR ON THE INDICATED CIRCUIT.
- ALL LIGHTING SHALL BE USED FOR EMERGENCY EGRESS LIGHTING AND ARE CIRCUITED TO THE ULTIMATE PANEL ON THE GENERATOR OR SHALL COME EQUIPPED WITH AN EMERGENCY BATTERY OR BACKUP POWER.
- ALL LIGHTING SHALL BE CONSIDERED A NIGHT LIGHT AND BE CONNECTED AHEAD OF ALL CONTROLS.
- VERIFY THE COLOR OF ALL LIGHTING, DEVICES, AND COVER PLATES WITH OWNER.
- ALL LIGHTING TO BE INSTALLED IN CLOSETS SHALL CONFORM TO NEC ARTICLE 410.8.
- FOR ALL OCCUPANCY SENSORS, PROVIDE SWITCHING AND ALL OTHER REQUIRED HARDWARE WHERE NECESSARY. COORDINATE ALL SETTINGS WITH OWNER PRIOR TO ROUGH-IN.

2 | LIGHTING CONTROL PANEL
E1.1.1.1 NTS

3 | LIGHTING CONTROL PANEL
E1.1.1.1 NTS

4 | LIGHTING CONTROL PANEL
E1.1.1.1 NTS

5 | LIGHTING CONTROL PANEL
E1.1.1.1 NTS

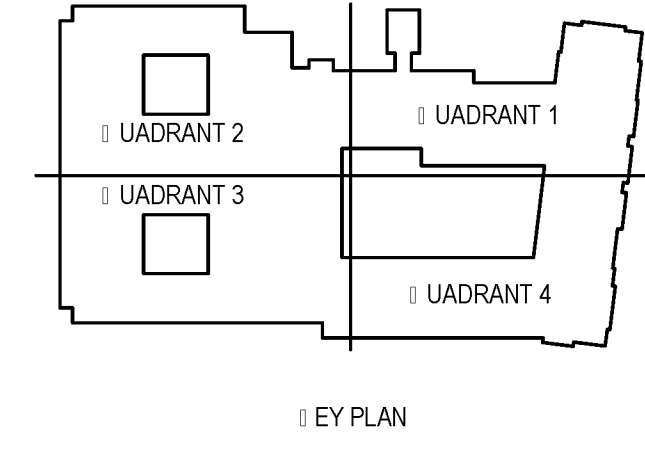
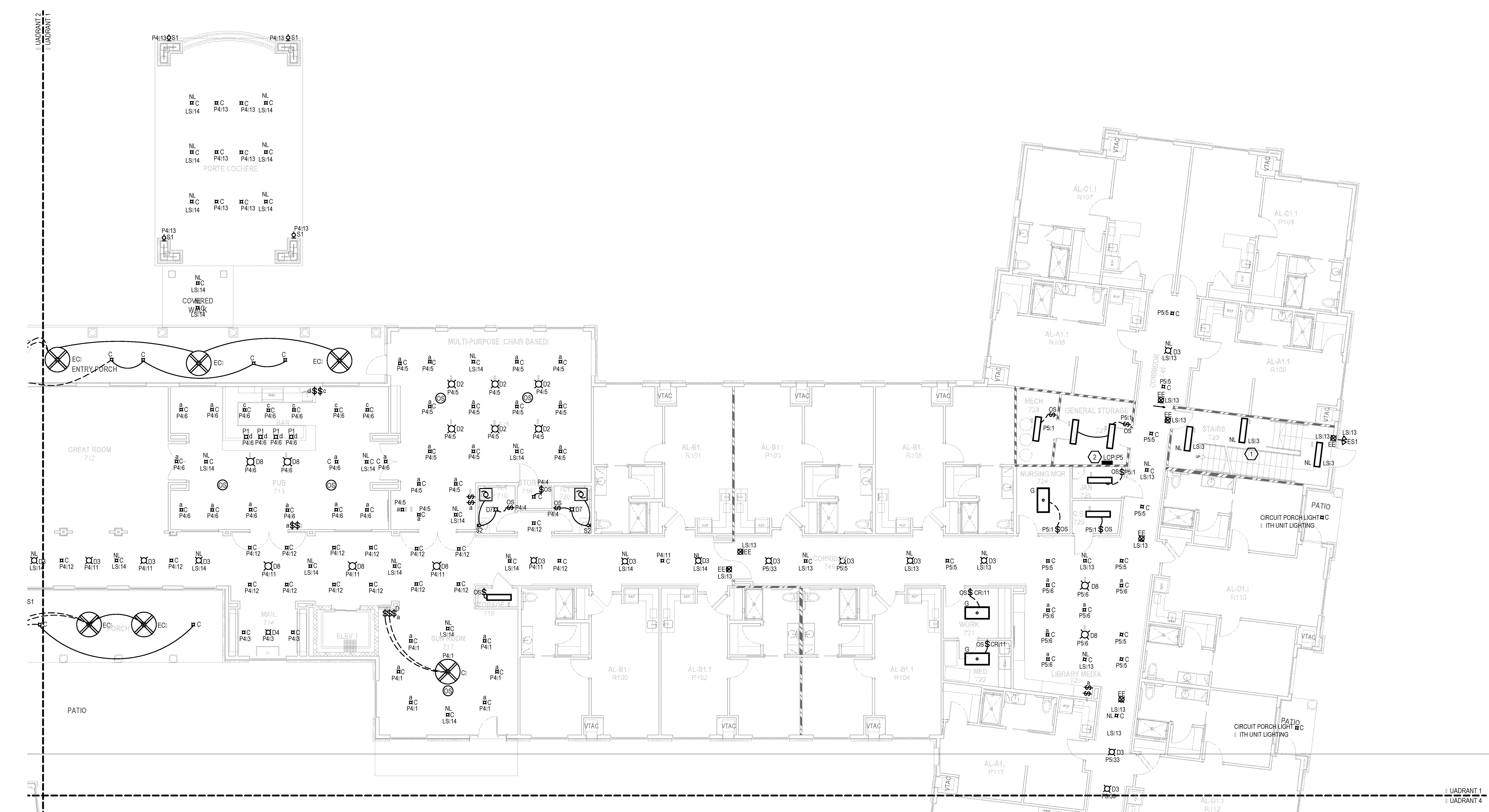


6 | LIGHTING CONTROL PANEL
E1.1.1.1 NTS

7 | LIGHTING CONTROL PANEL
E1.1.1.1 NTS

8 | LIGHTING CONTROL PANEL
E1.1.1.1 NTS

9 | LIGHTING CONTROL PANEL
E1.1.1.1 NTS



1 | LIGHTING PLAN | 1ST | FLOOR
E1.1.1.1 1/8" = 1'-0"

CONTRACTOR NOTE:

IT IS THE RESPONSIBILITY OF THE CONTRACTOR TO NOTIFY THE ARCHITECT, LANDLORD AND TENANT OF ANY DISCREPANCIES ENCOUNTERED ON THE PLANS OR IN EXISTING SITE CONDITIONS PRIOR TO SUBMISSION OF BID.

BIDDERS ARE TO VISIT THE SITE AND FAMILIARIZE THEMSELVES WITH EXISTING CONDITIONS AND SATISFY THEMSELVES AS TO THE NATURE AND SCOPE OF THE WORK. THE BASE BID SHALL REFLECT MODIFICATIONS TO SYSTEMS AND DEVICES AS REQUIRED BY STATE, LOCAL AND FEDERAL CODES. WHETHER INDICATED OR NOT ON CONTRACT DOCUMENTS. THE SUBMISSION OF A BID SHALL BE EVIDENCE THAT SUCH AN EXAMINATION AND COMPLIANCE WITH GOVERNING CODES/REGULATIONS HAS BEEN MADE. LATER CLAIMS FOR LABOR, EQUIPMENT, OR MATERIALS REQUIRED OR OMISSIONS ENCOUNTERED WHICH COULD HAVE BEEN OBSERVED HAD AN EXAMINATION AND CODE/REGULATIONS REVIEW BEEN MADE, WILL NOT BE ALLOWED.

BIM Server: Saved: 2012-11-01 10:47:17 Concordia Baton Rouge | Ver: 18.001 | Wednesday, September 02, 2015 | 4:04 PM

pi architects
3500 Jefferson St. Suite 303
Austin, TX 78731
P: (512) 231-1910
F: (512) 231-1950
www.piarch.com

architectural + interior architecture

PE Services
Professional Engineer
www.pe-services.com

These plans have been properly examined by the undersigned. I have determined that they comply with existing local Louisiana codes, and have been properly adapted to use in this area.

ROBERT M. HODGSON
Professional Engineer
No. 30319

WATERSTONE AT BATON ROUGE ASSISTED LIVING & MEMORY CARE

SIEGEN LANE
BATON ROUGE, LA 70810

ISSUE: PERMIT SET

©2015 PI ARCHITECTS, INC.

REVISIONS:

DATE: 03/31/2016
PROJECT NUMBER: PES 15090
SHEET TITLE: LIGHTING PLAN | 1ST | FLOOR
SHEET: E1.1.1