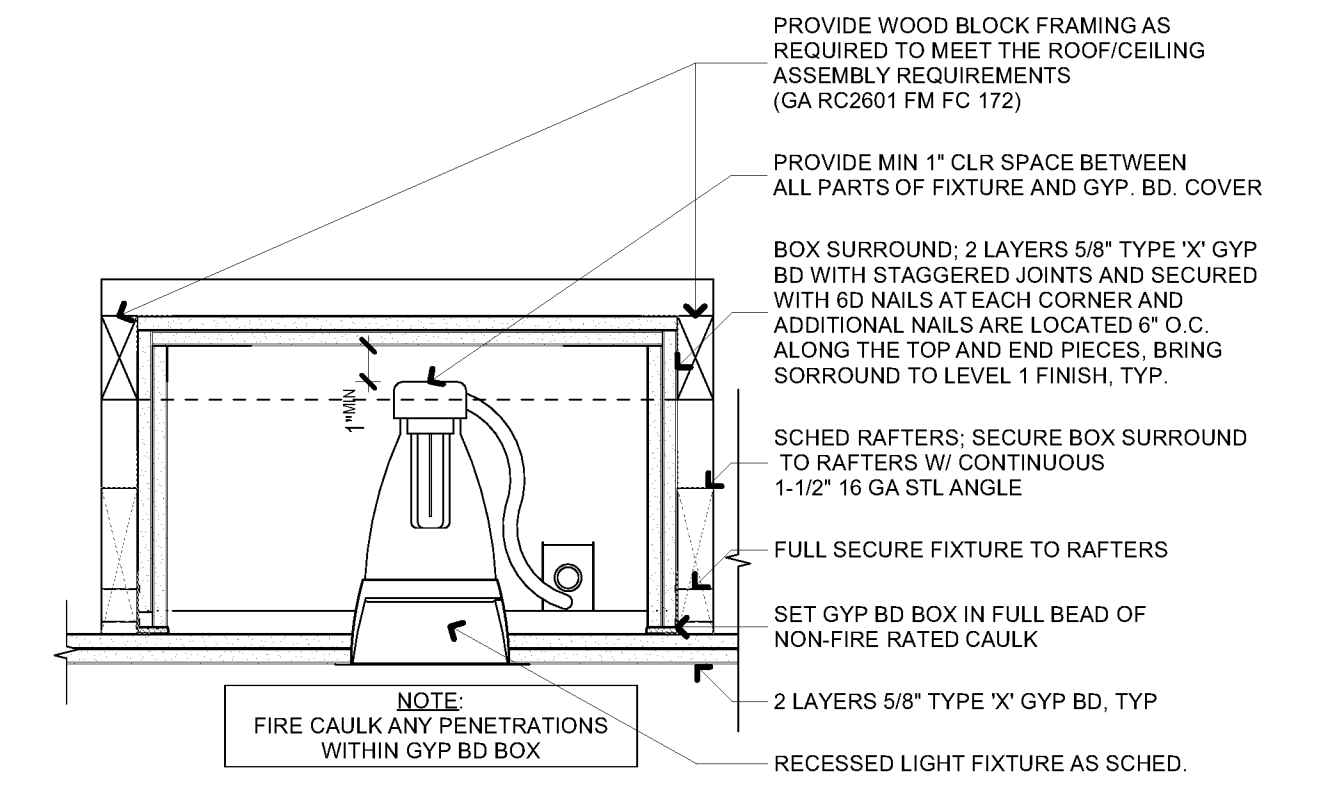
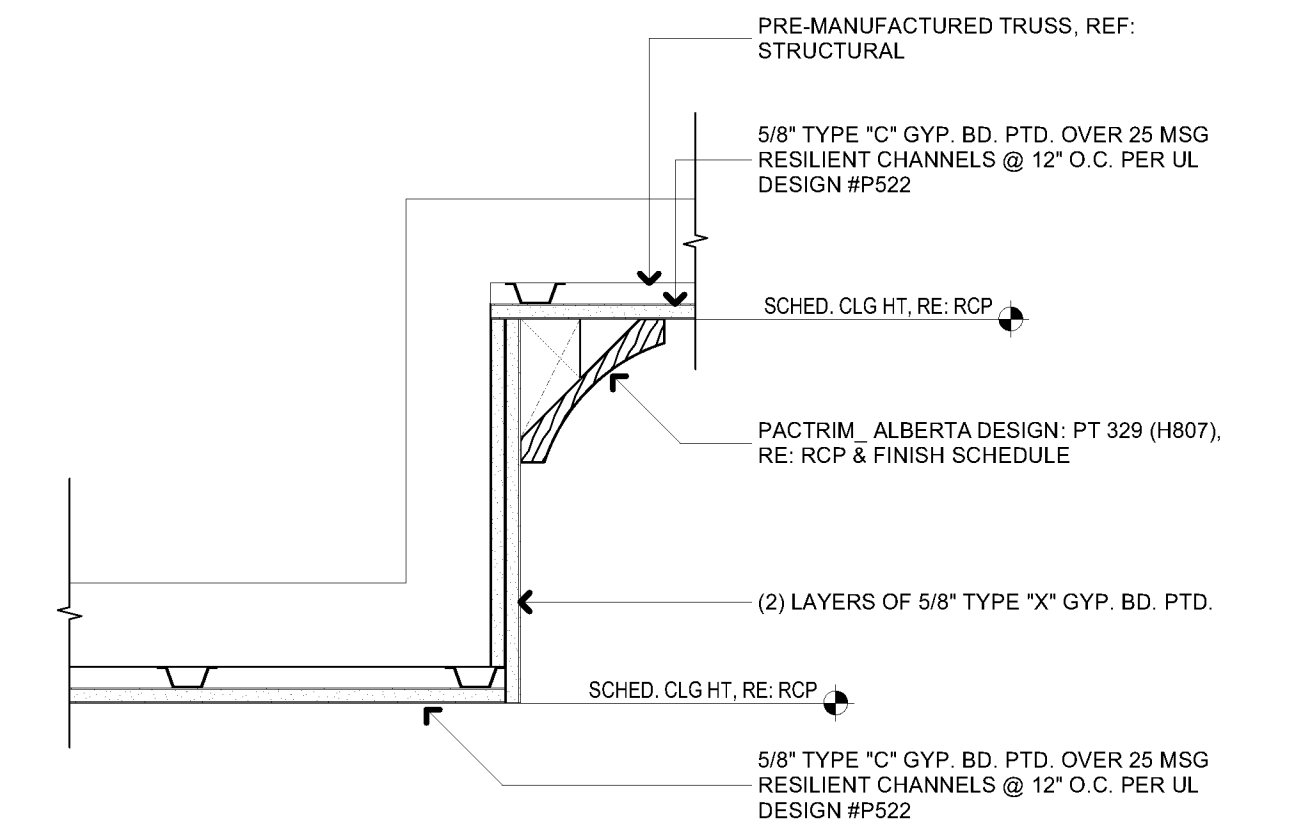


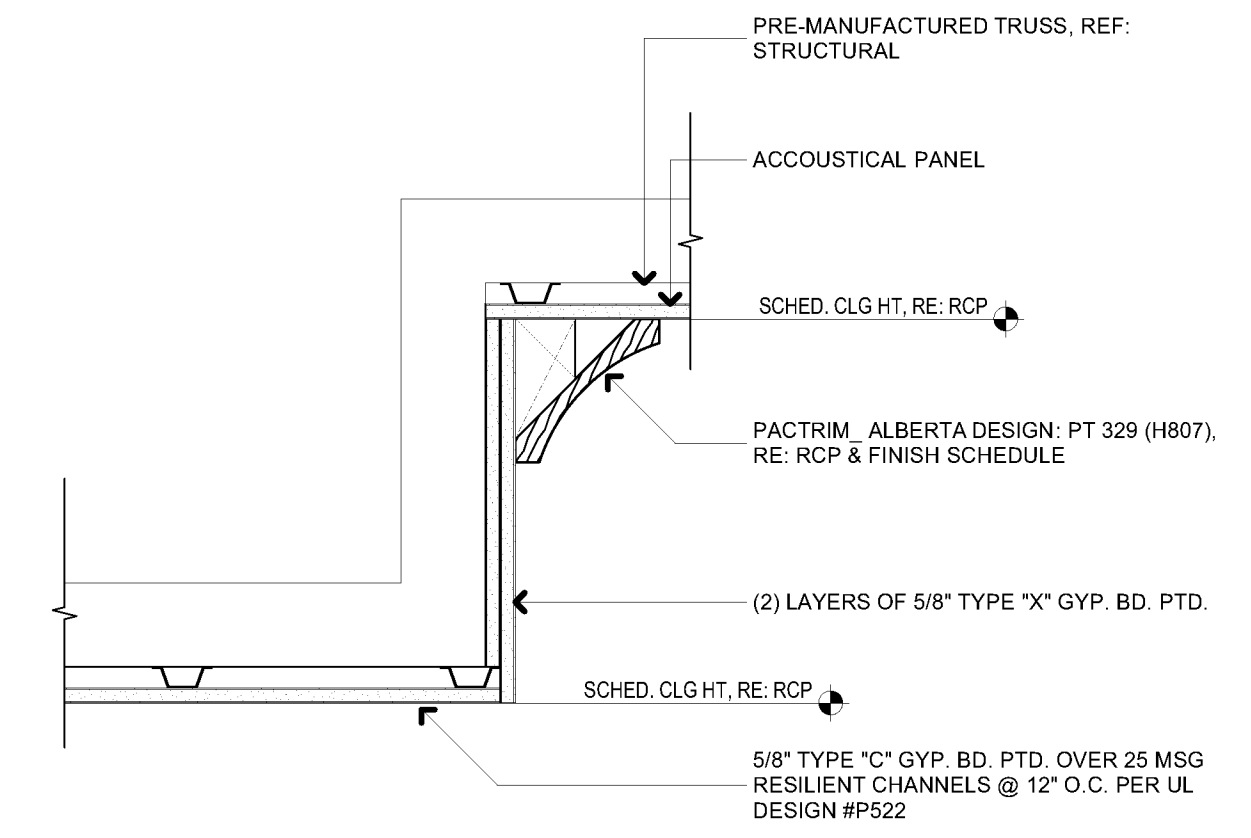
D4 EXPANSION JOINT DETAIL
SCALE: 1 1/2" = 1'-0"



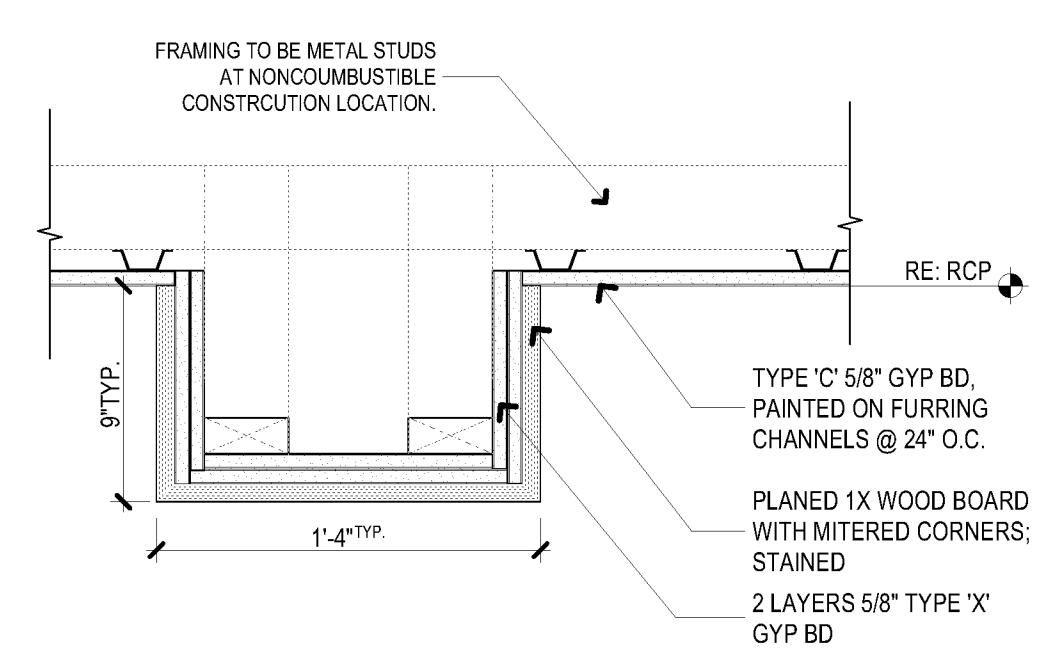
D5 RATED RECESSED CAN LIGHT DETAIL
SCALE: 1 1/2" = 1'-0"



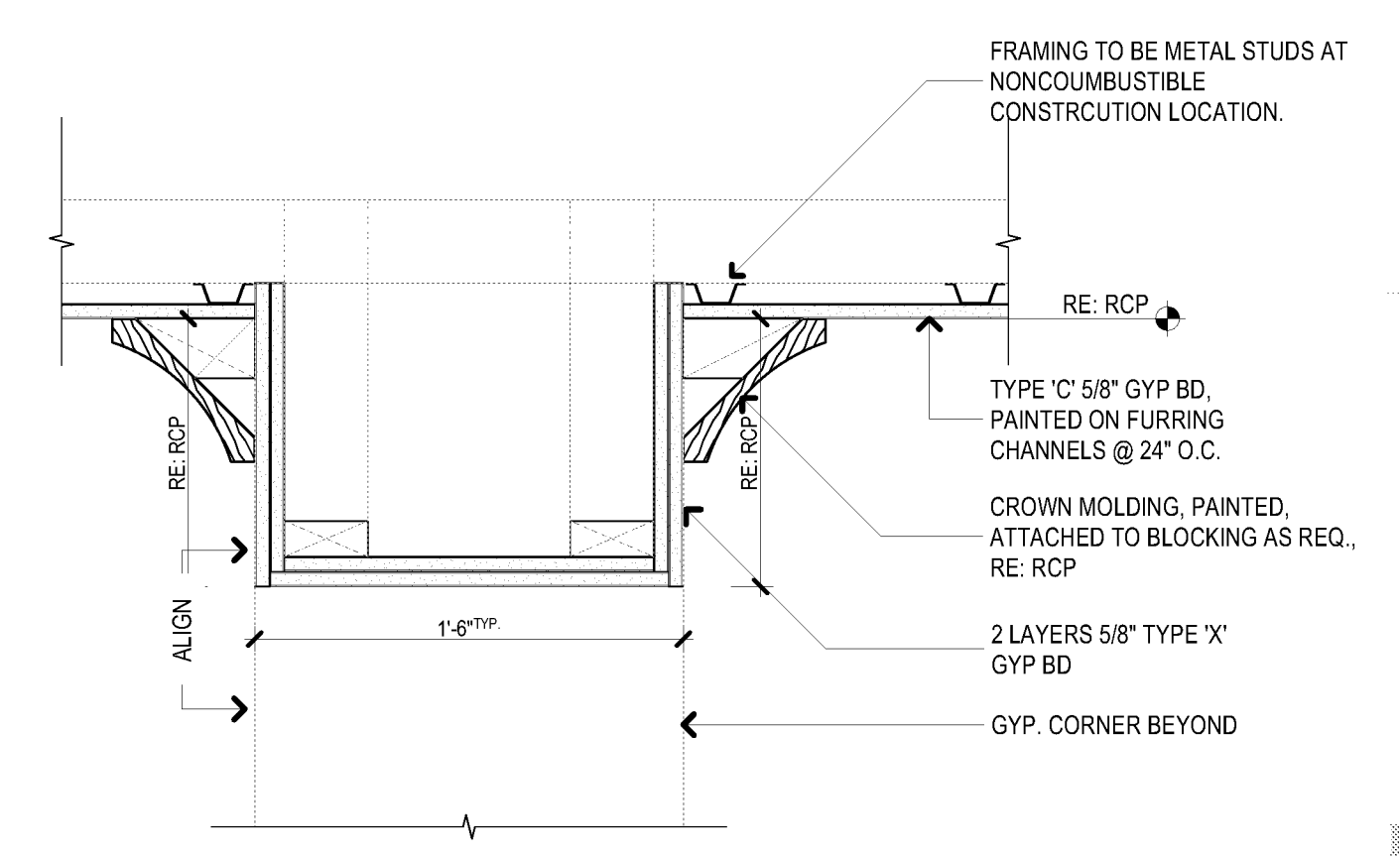
C4 POP UP DETAIL 01
SCALE: 1 1/2" = 1'-0"



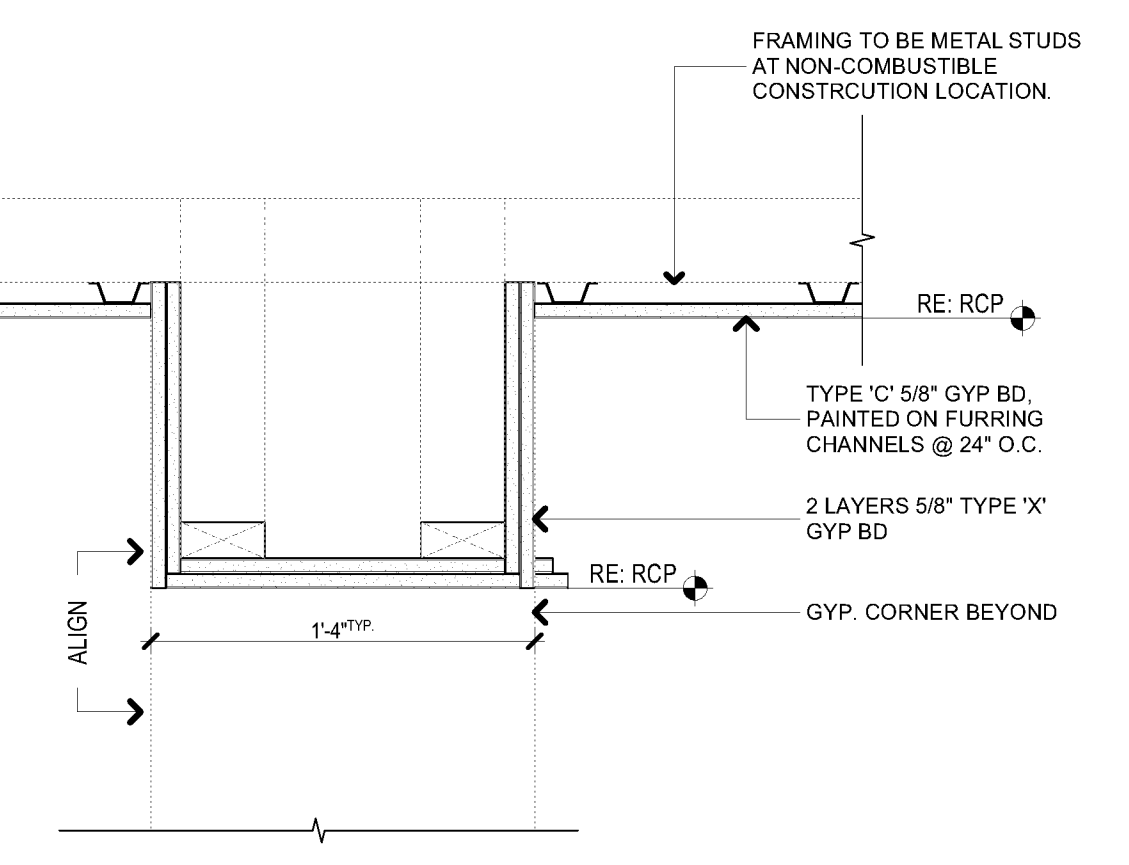
C5 RCP POP UP DETAIL 02
SCALE: 1 1/2" = 1'-0"



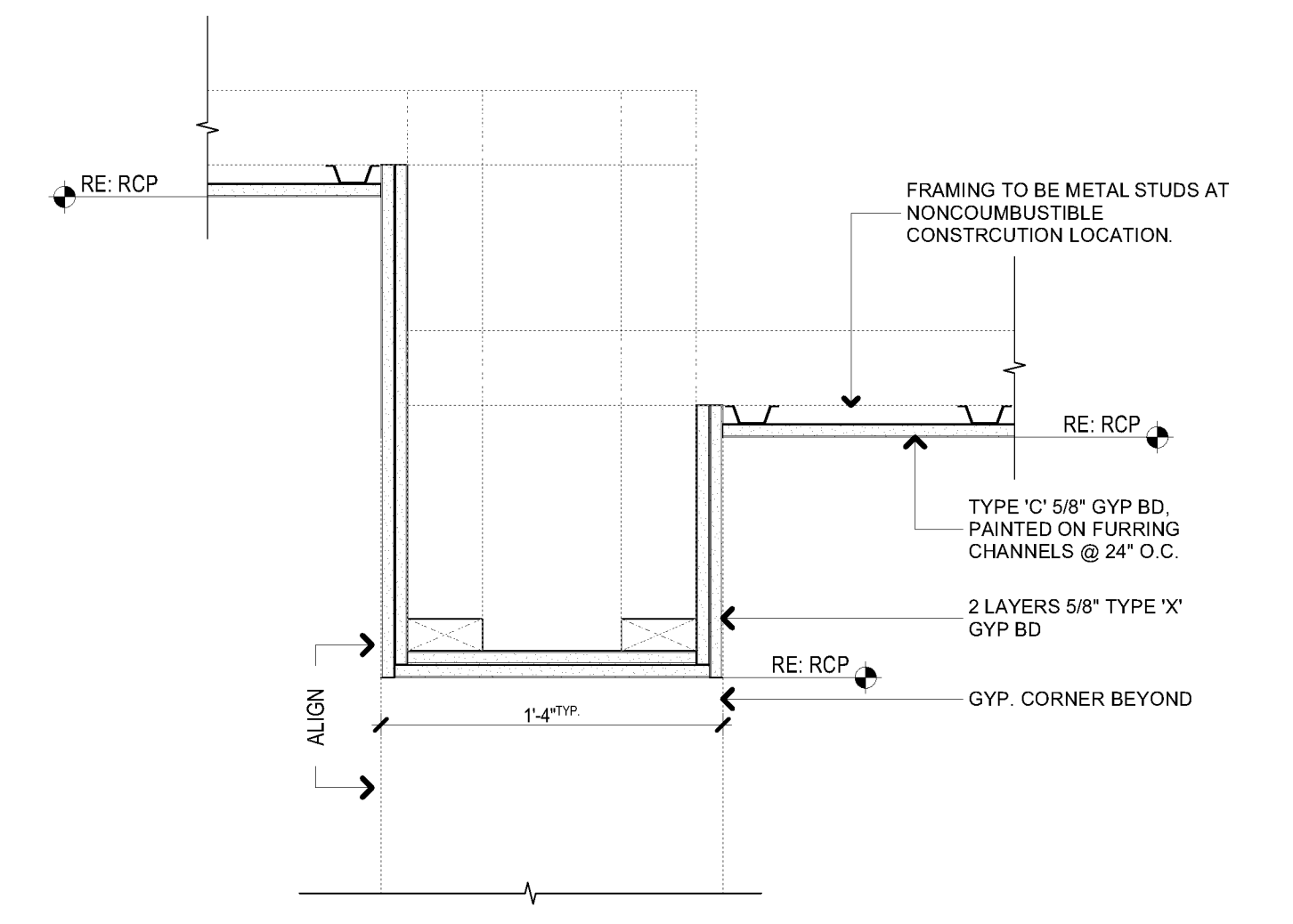
B4 DECORATIVE WOOD BEAM DETAIL
SCALE: 1 1/2" = 1'-0"



B5 COFFERED CEILING DETAIL
SCALE: 1 1/2" = 1'-0"



A4 GYP. FURR DOWN DETAIL 01
SCALE: 1 1/2" = 1'-0"



A5 GYP. FURR DOWN DETAIL 02
SCALE: 1 1/2" = 1'-0"

BIM Server: SERVER2015 - BIM Server 19/14017 Concordia Baton Rouge | Ver. 19.001 | Friday, April 01, 2016 | 12:53 AM