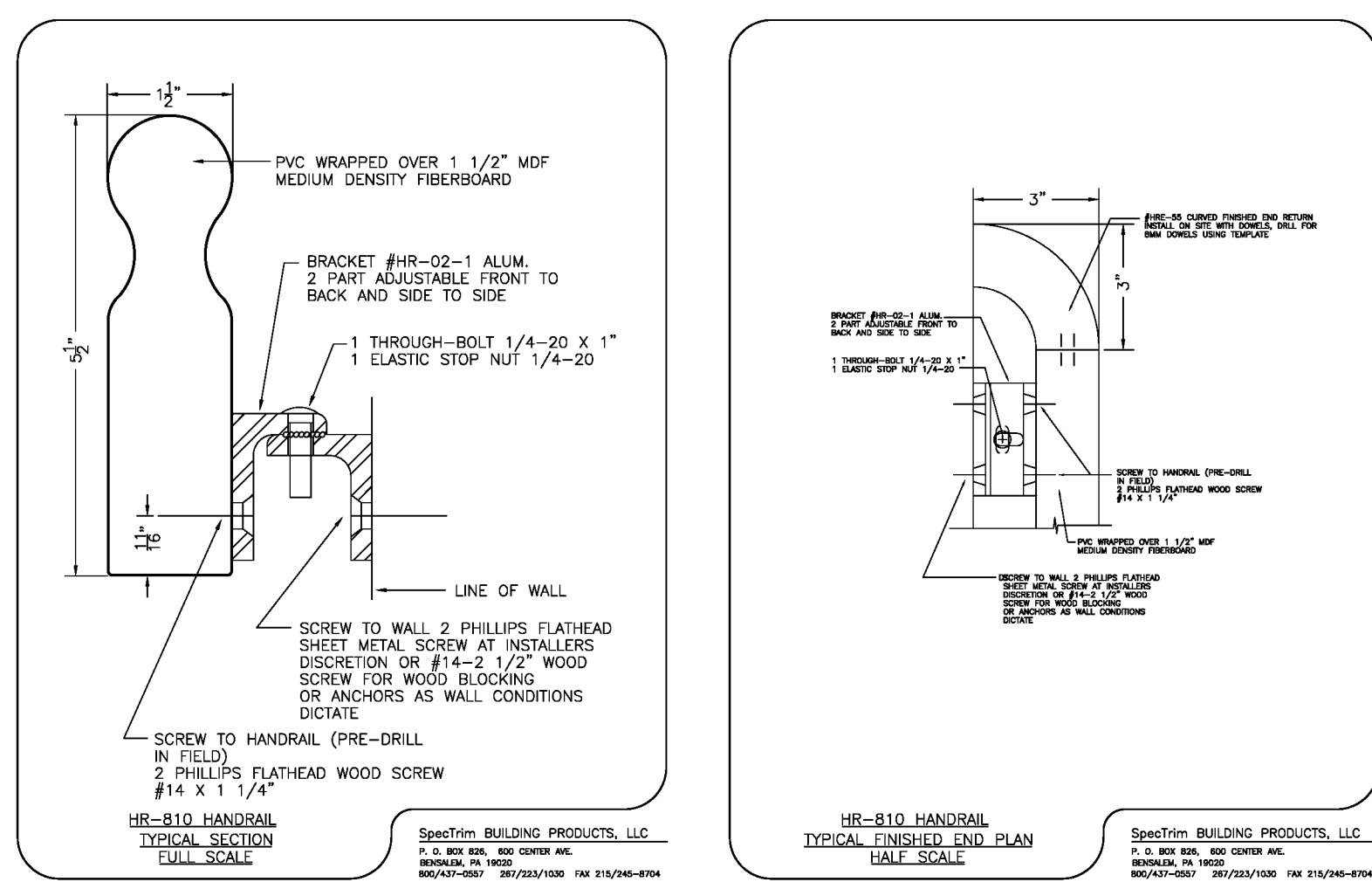
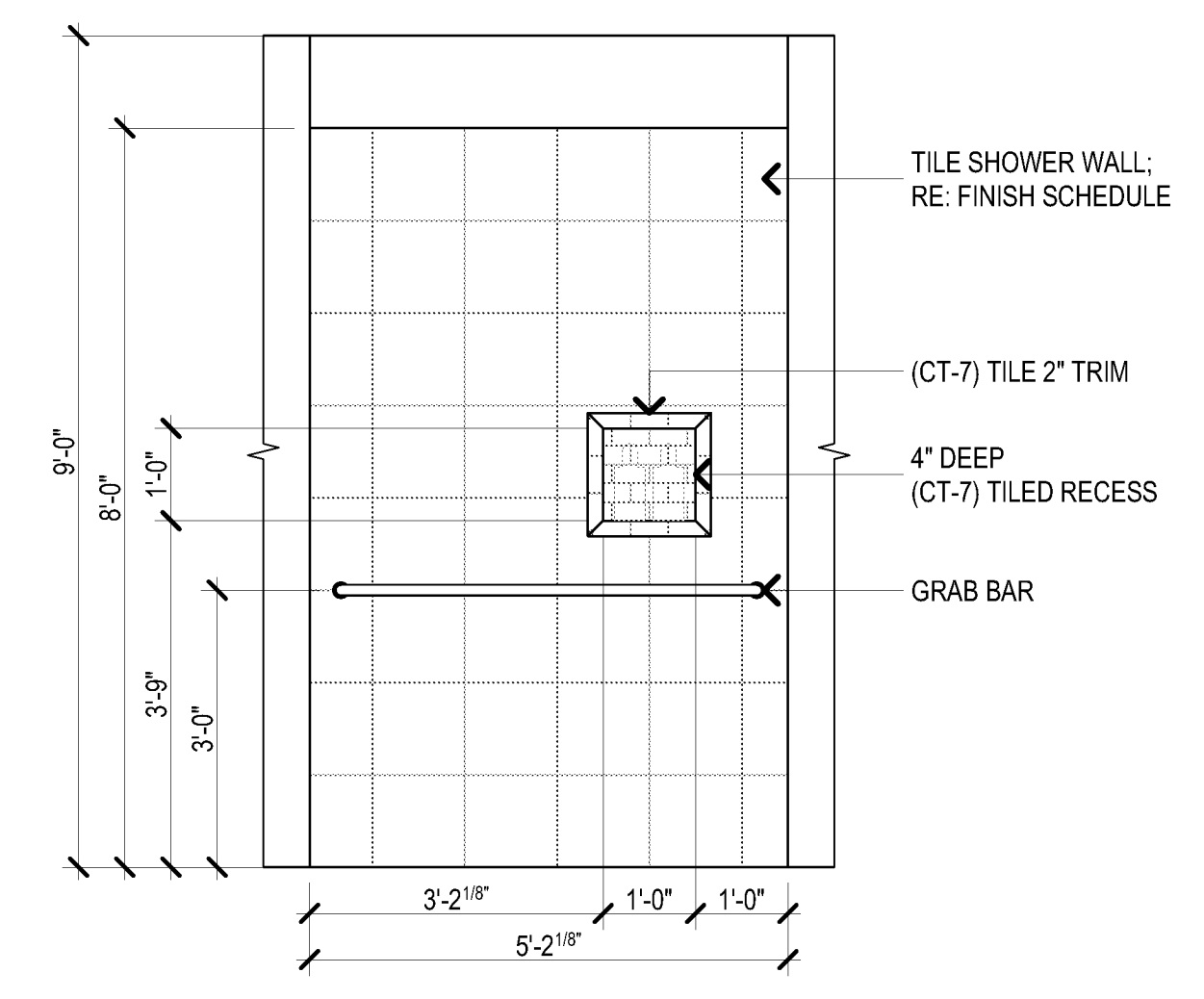


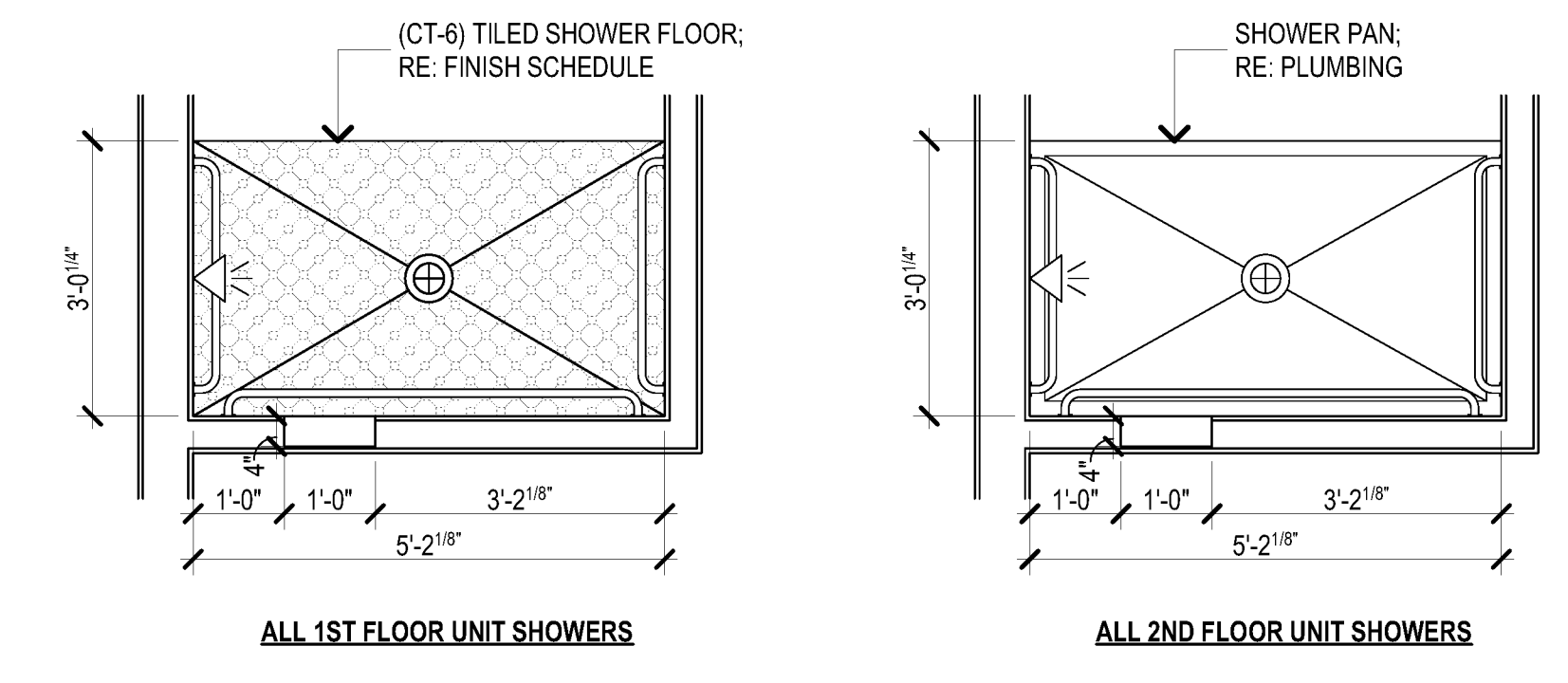
**C1 FIREPLACE DETAIL**  
SCALE: 1\"/>



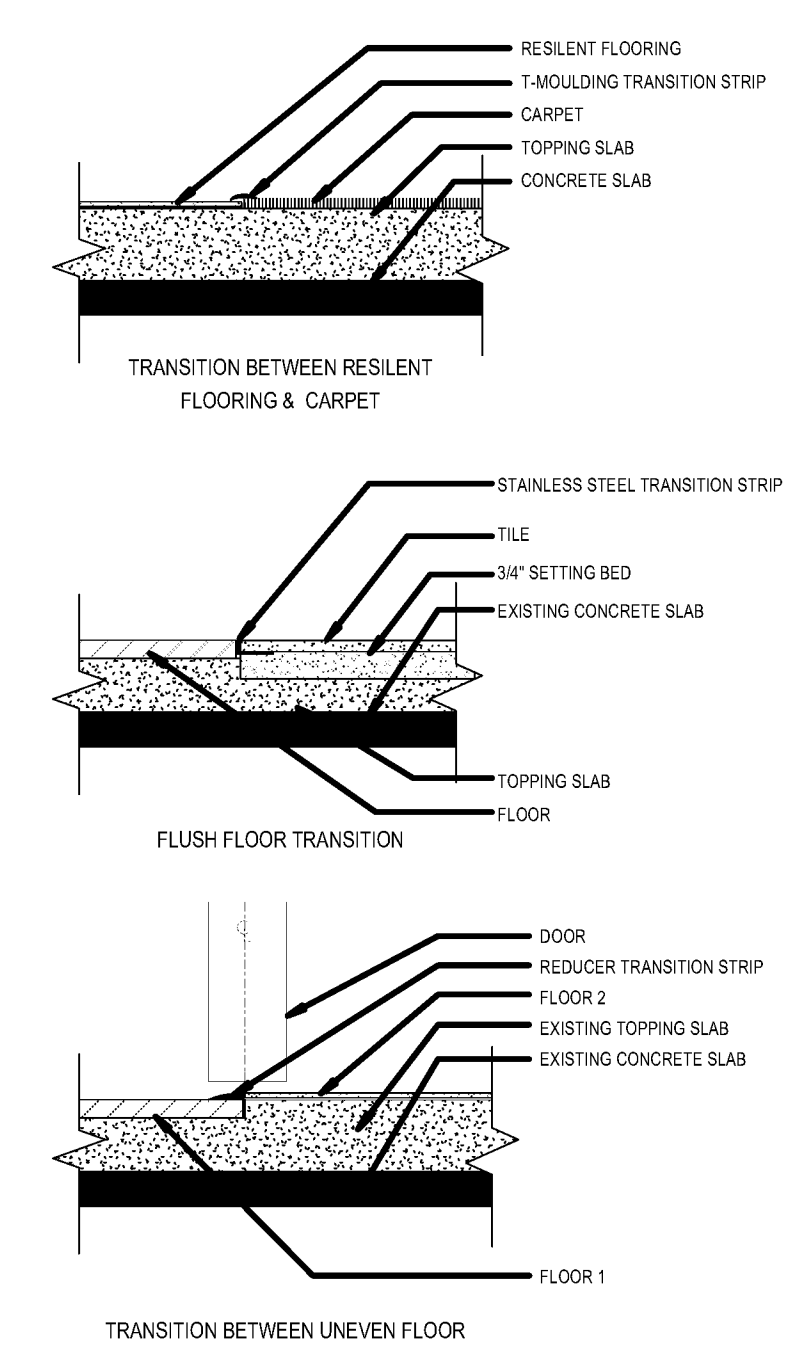
**B3 SPECTRIM HANDRAIL DETAIL**  
SCALE: 3/4\"/>



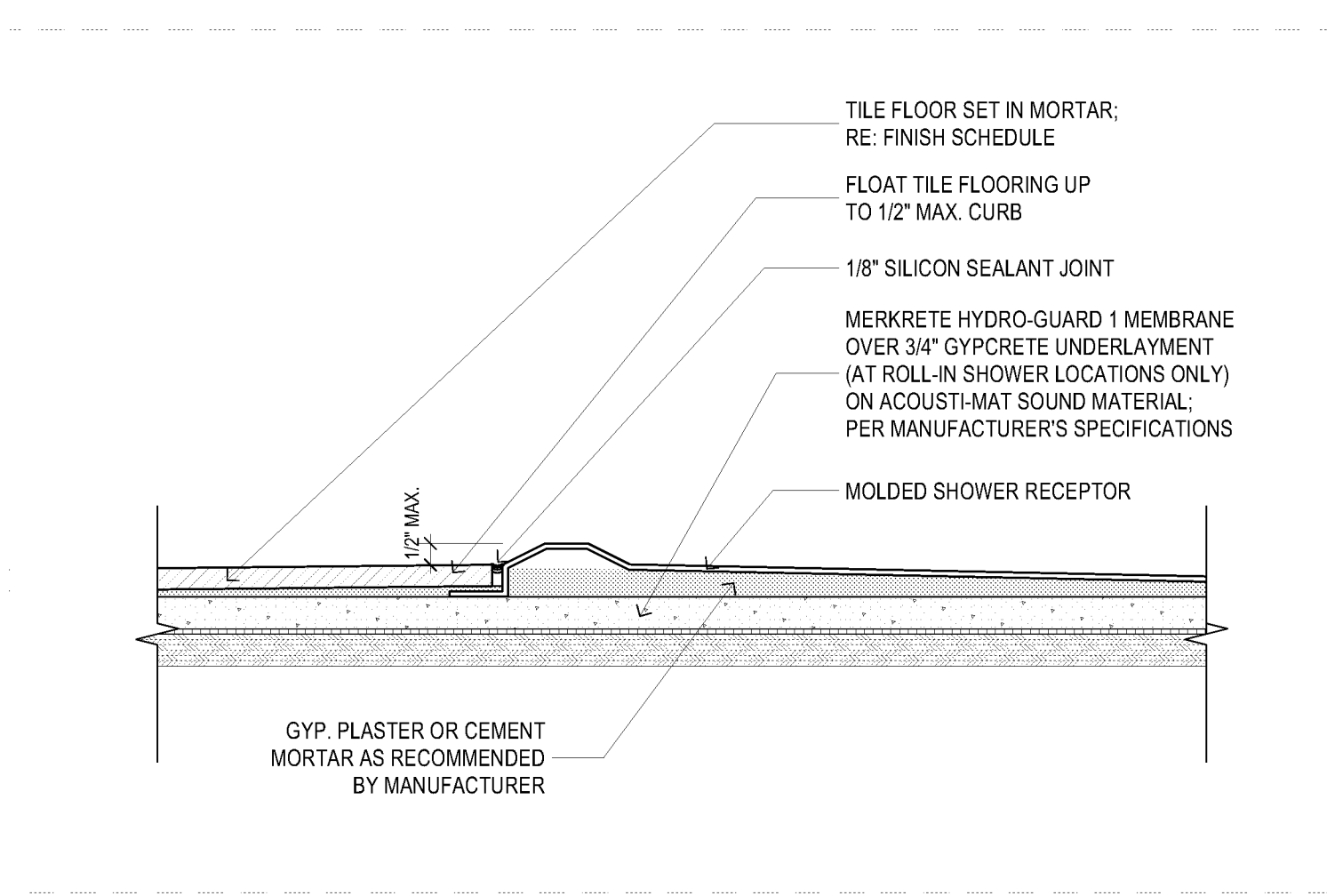
**C6 UNIT SHOWER DETAILS**  
SCALE: 1/2\"/>



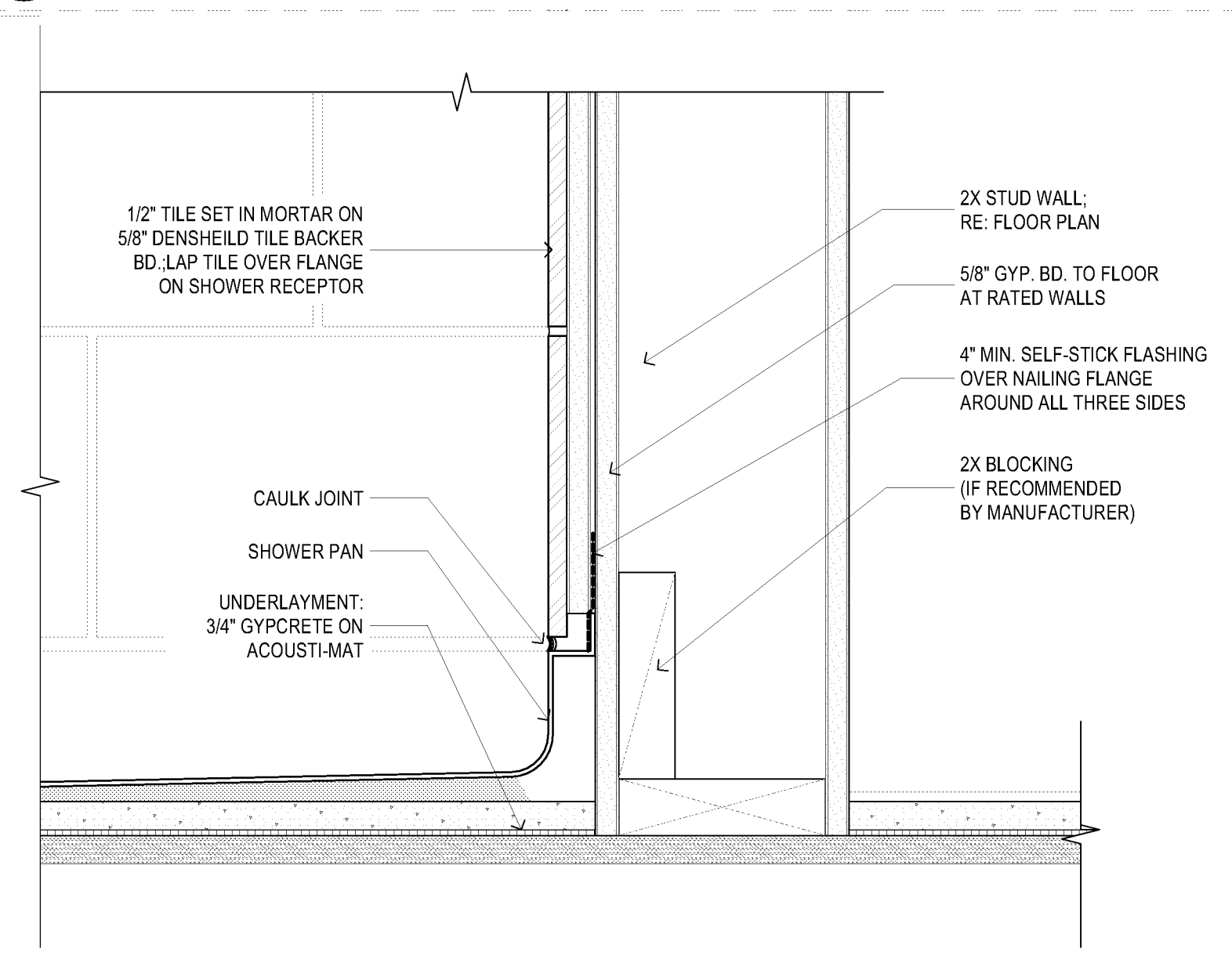
**B5 UNIT SHOWER DETAILS**  
SCALE: 1/2\"/>



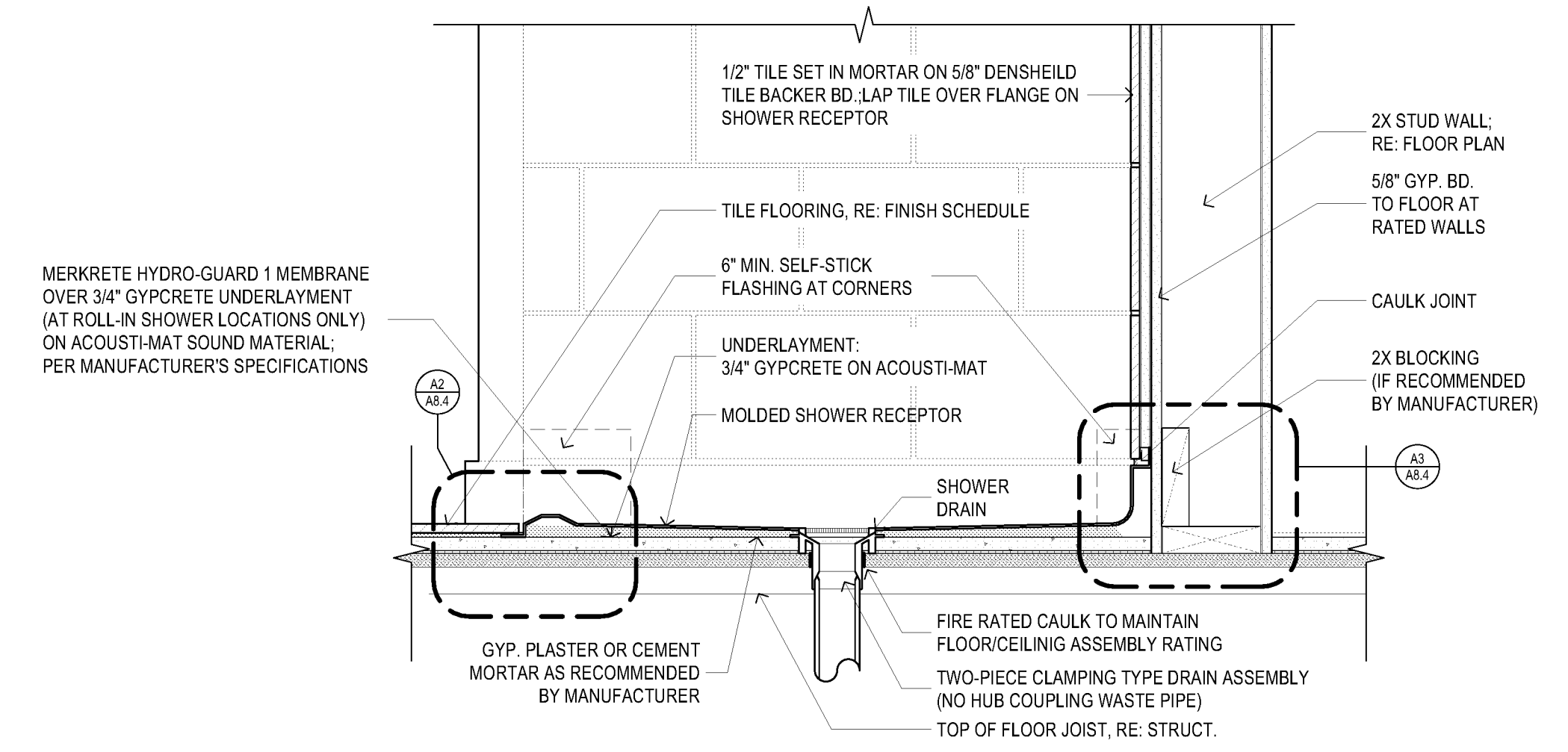
**A1 TYP. FLOOR TRANSITIONS**  
SCALE: 1 1/2\"/>



**A2 BD ROLL-IN SHOWER CURB DETAIL**  
SCALE: 3\"/>



**A3 BD SHOWER PAN DETAIL**  
SCALE: 3\"/>



**A5 BD ROLL-IN SHOWER SECTION DETAIL**  
SCALE: 1 1/2\"/>

BIM Server: SERVER2015 - BIM Server 19/14017 Concordia Baton Rouge | Ver. 19.001 | Thursday, March 31, 2016 | 8:52 PM