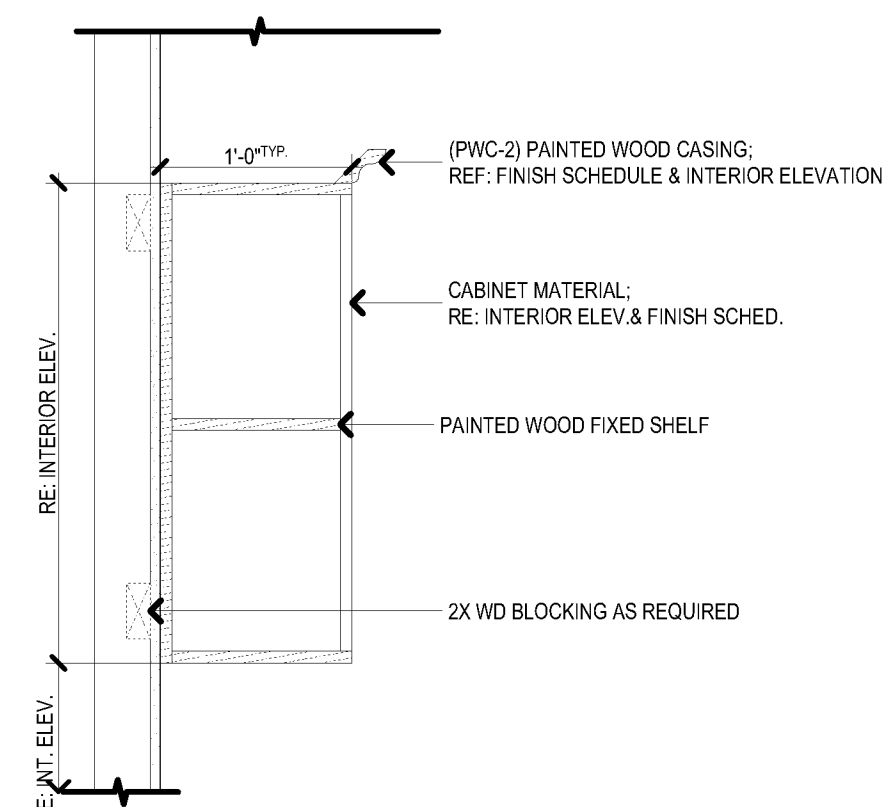
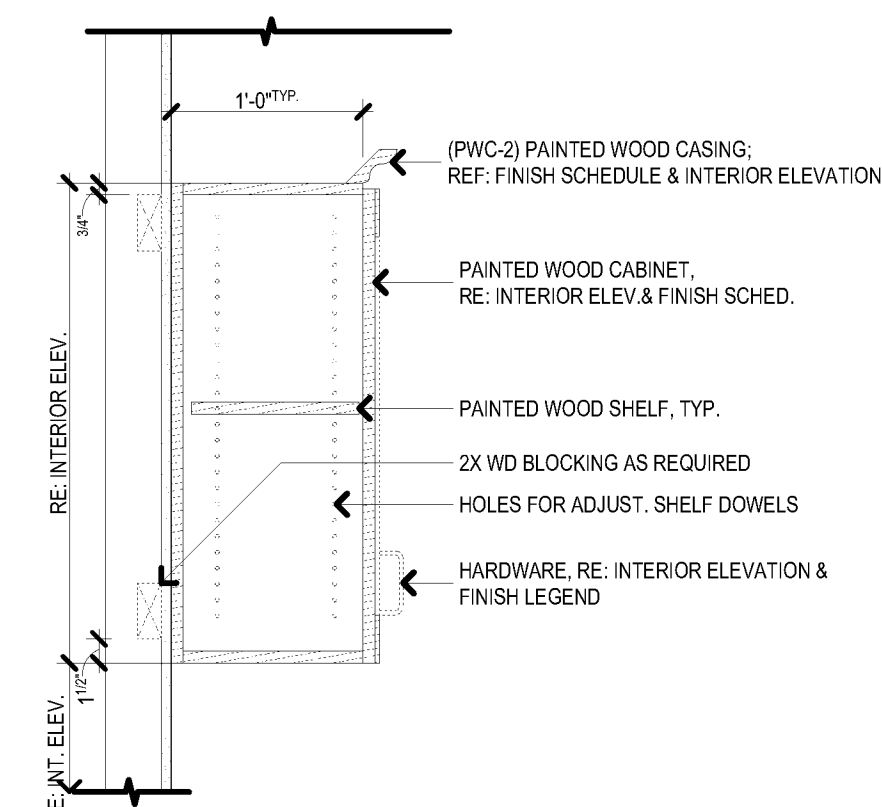


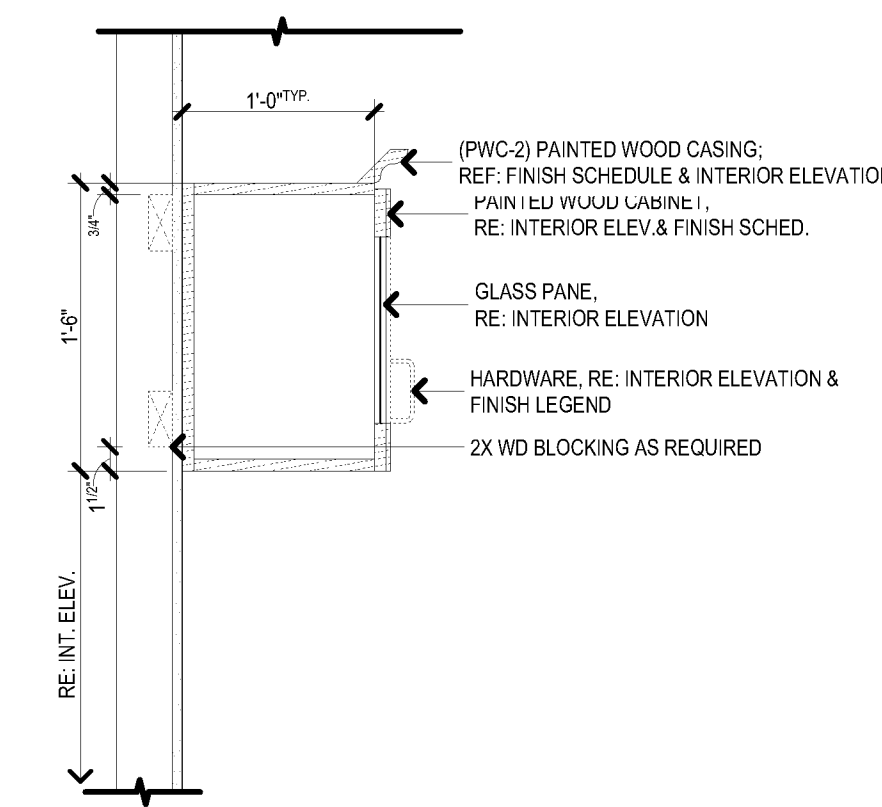
D1 PW UPPER CABINET + VENT HOOD
SCALE: 1" = 1'-0"



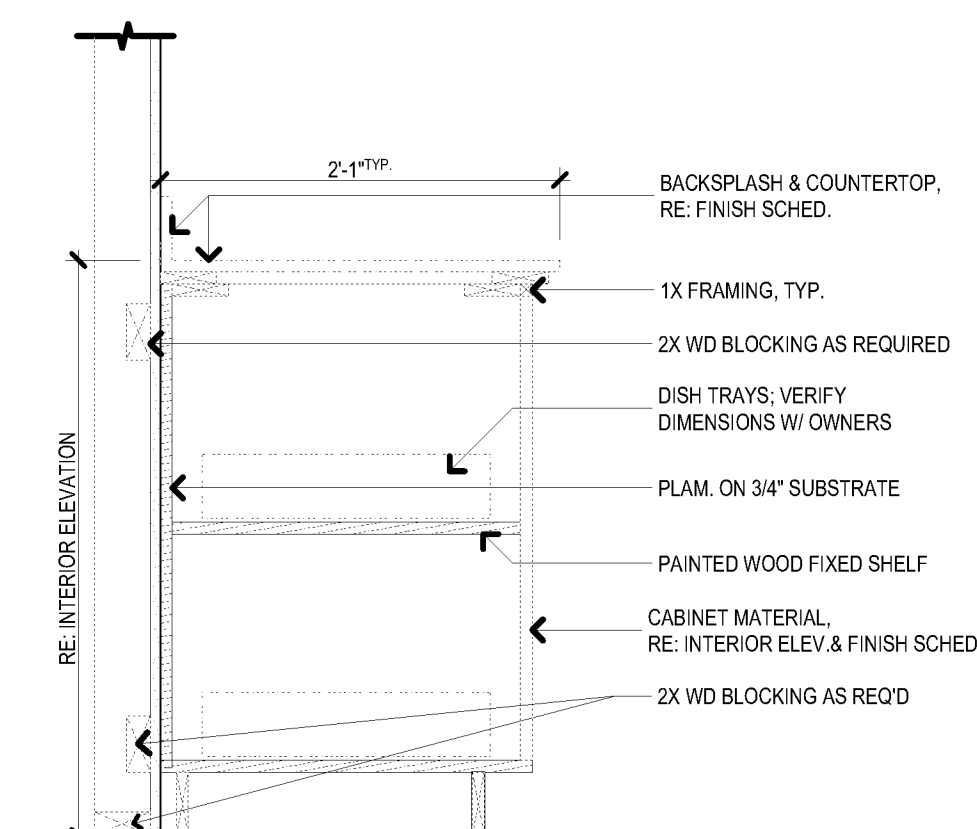
D2 PW UPPER SHELF
SCALE: 1" = 1'-0"



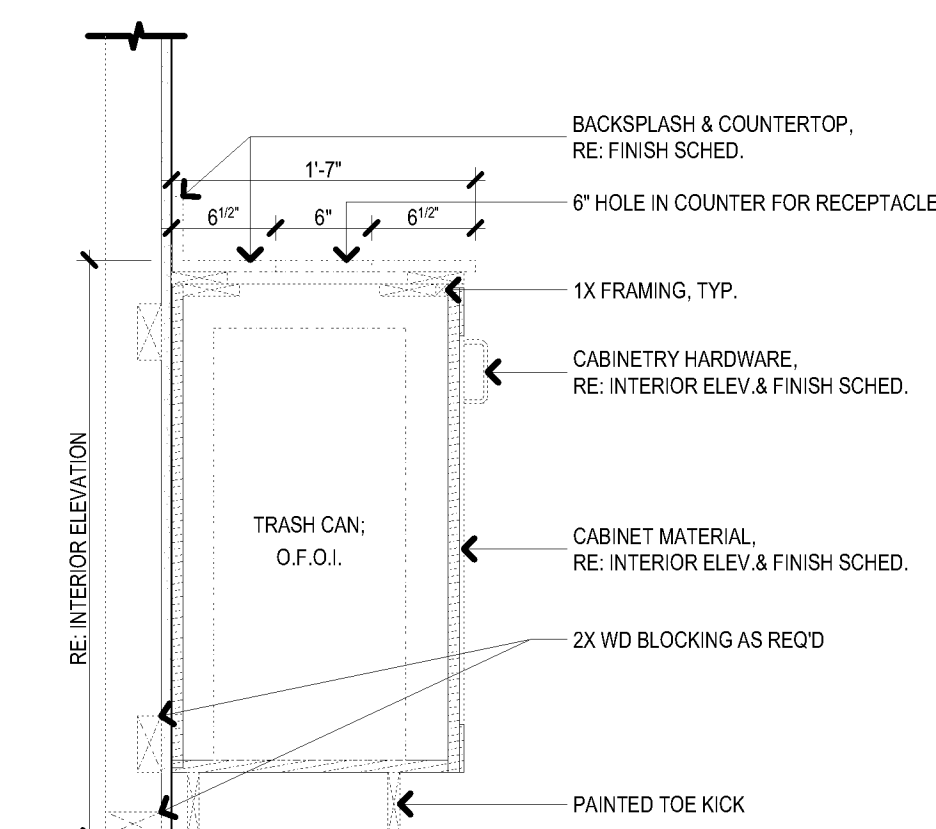
D4 PW UPPER CABINET
SCALE: 1" = 1'-0"



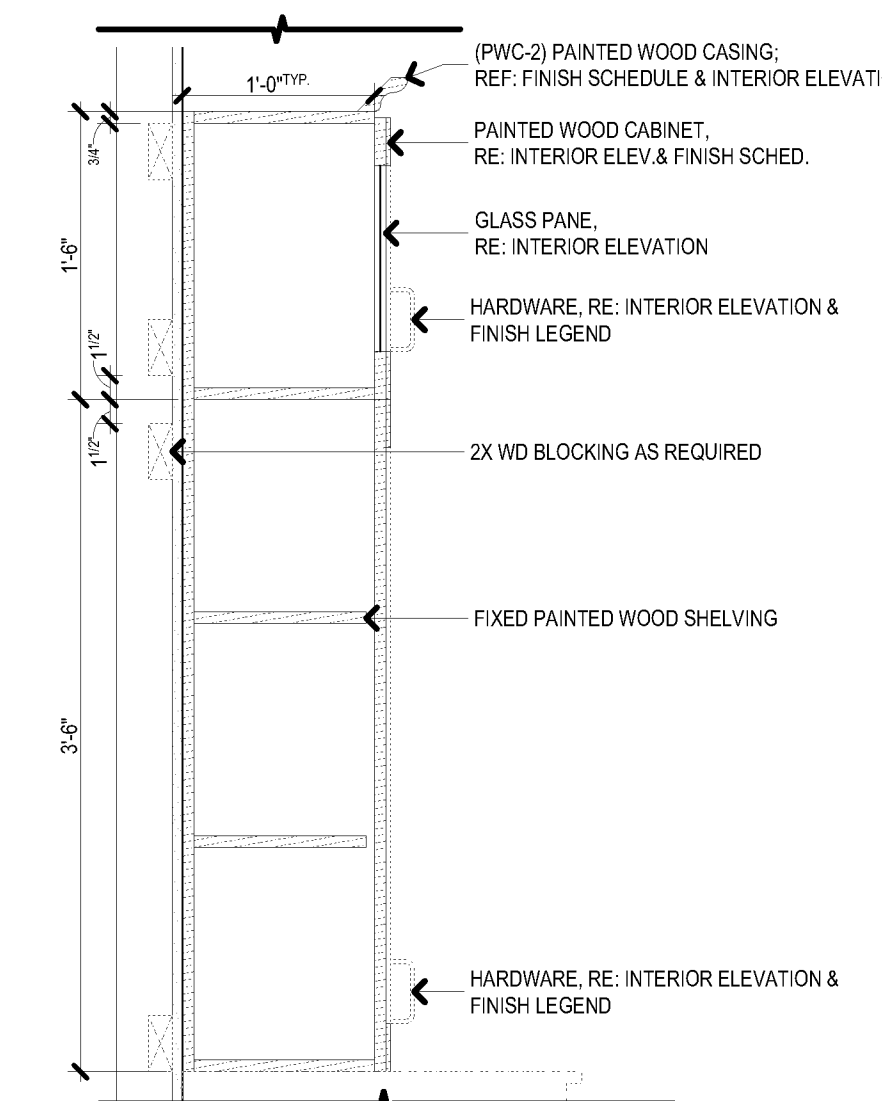
D5 PW GLASS PANE UPPER CABINET
SCALE: 1" = 1'-0"



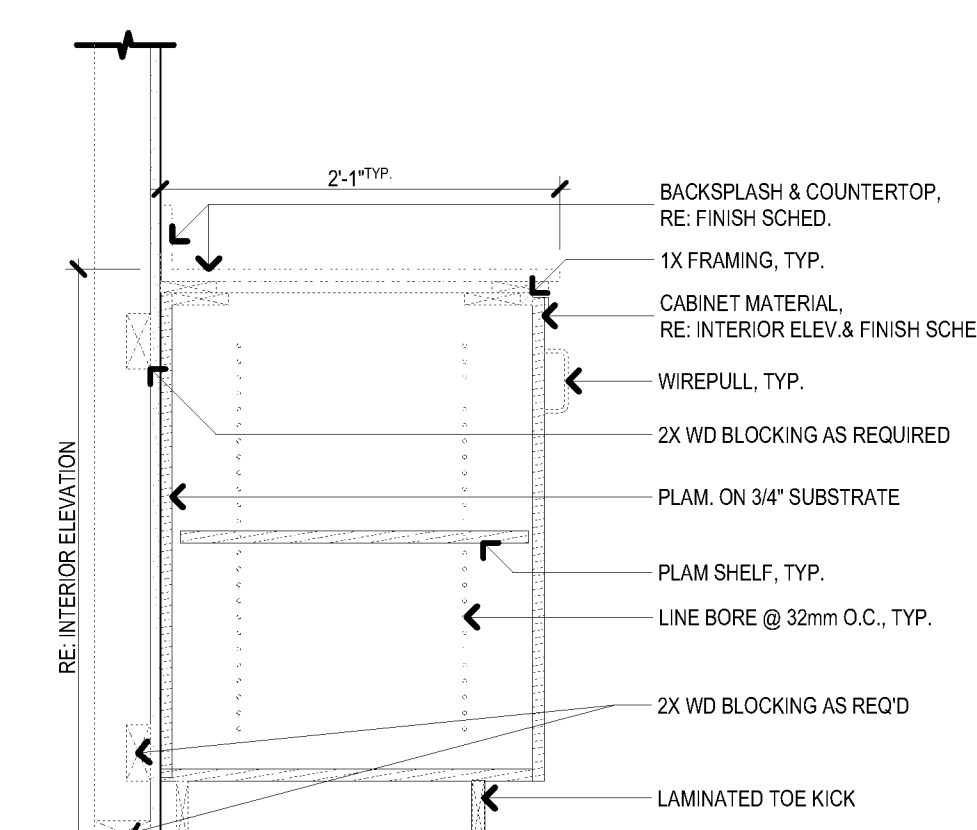
C2 PW SHELF BASE
SCALE: 1" = 1'-0"



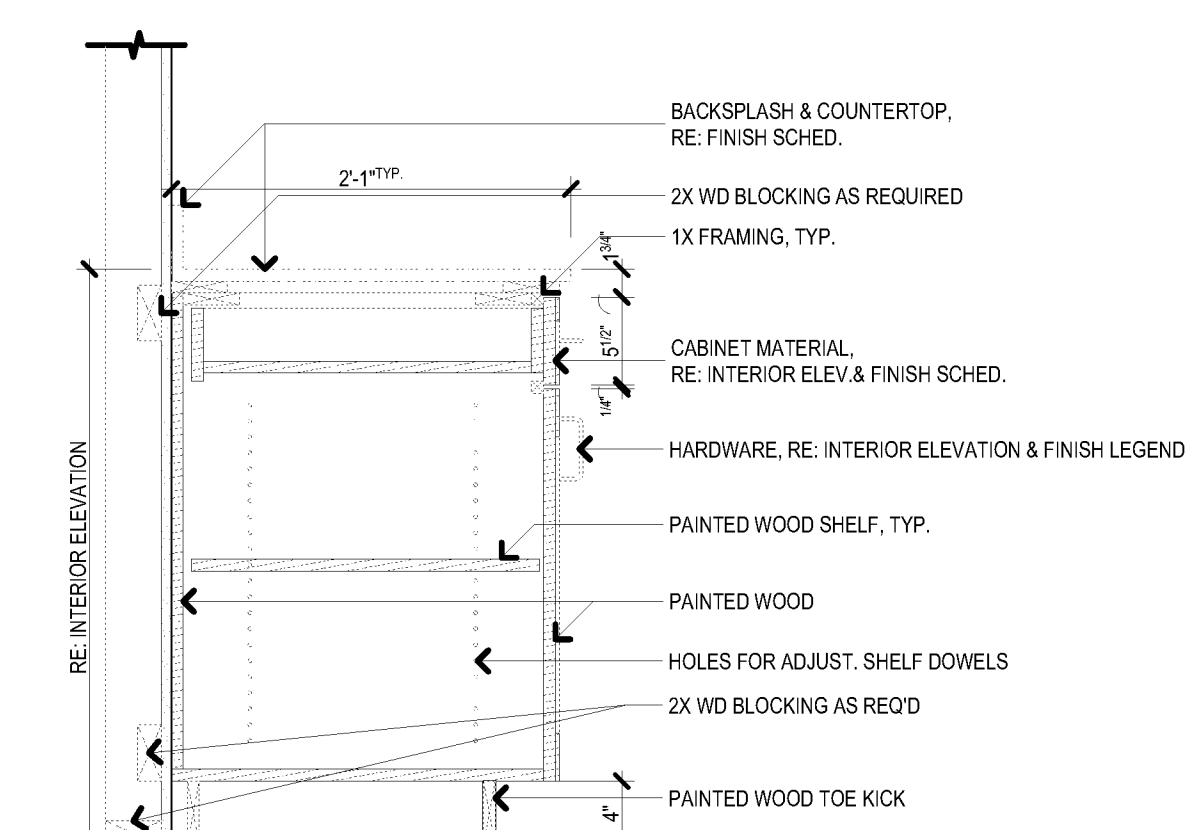
C4 PW TRASH RECEPTACLE BASE
SCALE: 1" = 1'-0"



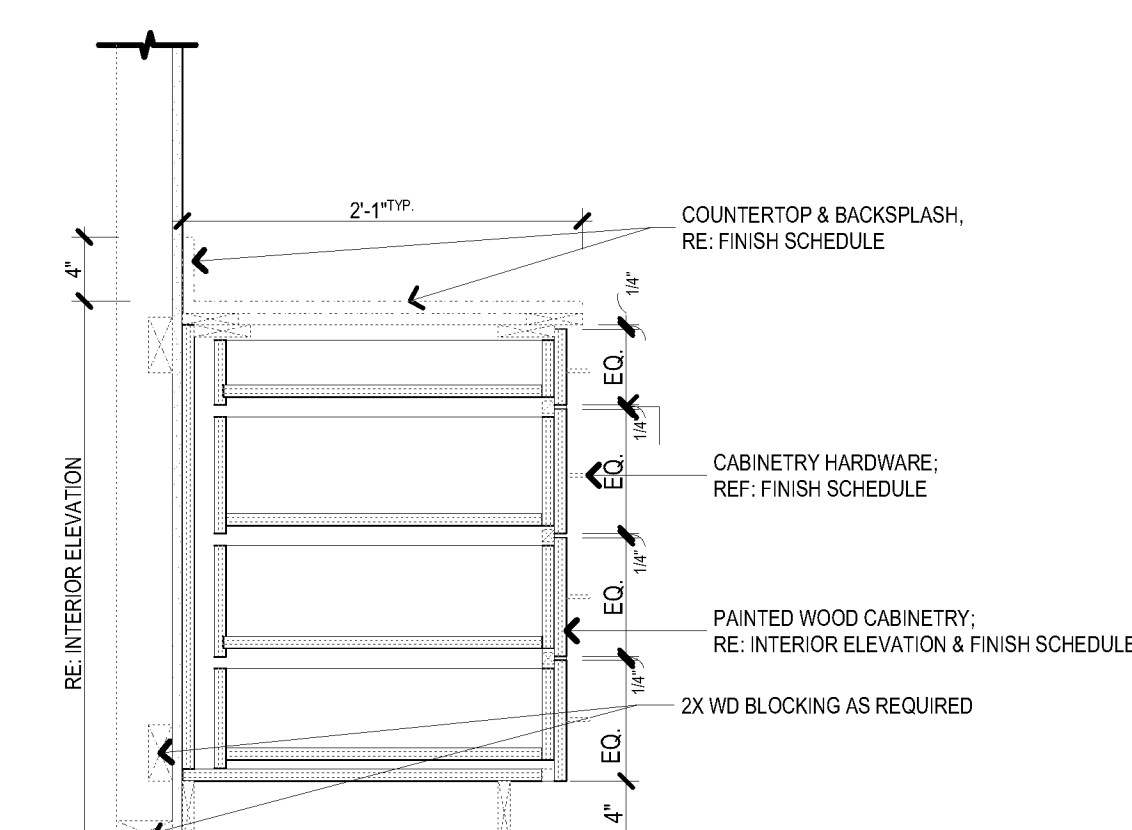
C5 PW PUB STACKED CABINETS
SCALE: 1" = 1'-0"



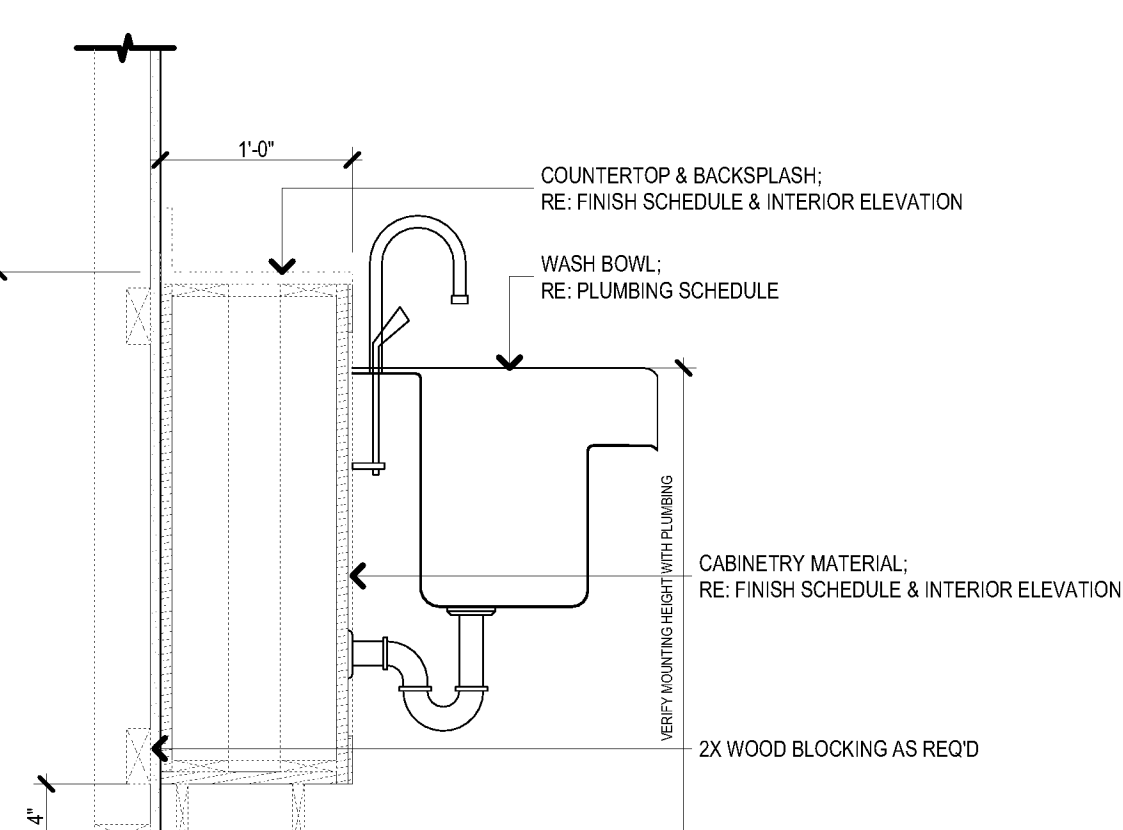
B2 PW CABINET BASE
SCALE: 1" = 1'-0"



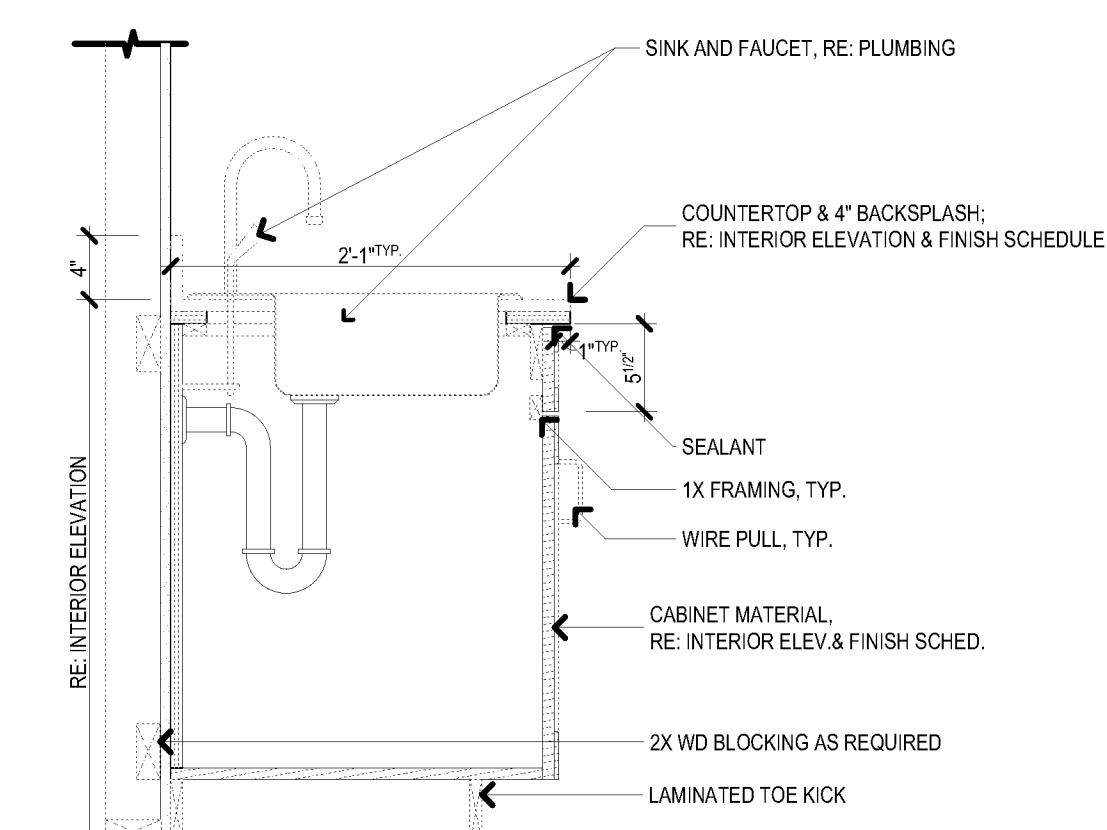
B4 PW CABINET + DRAWER BASE
SCALE: 1" = 1'-0"



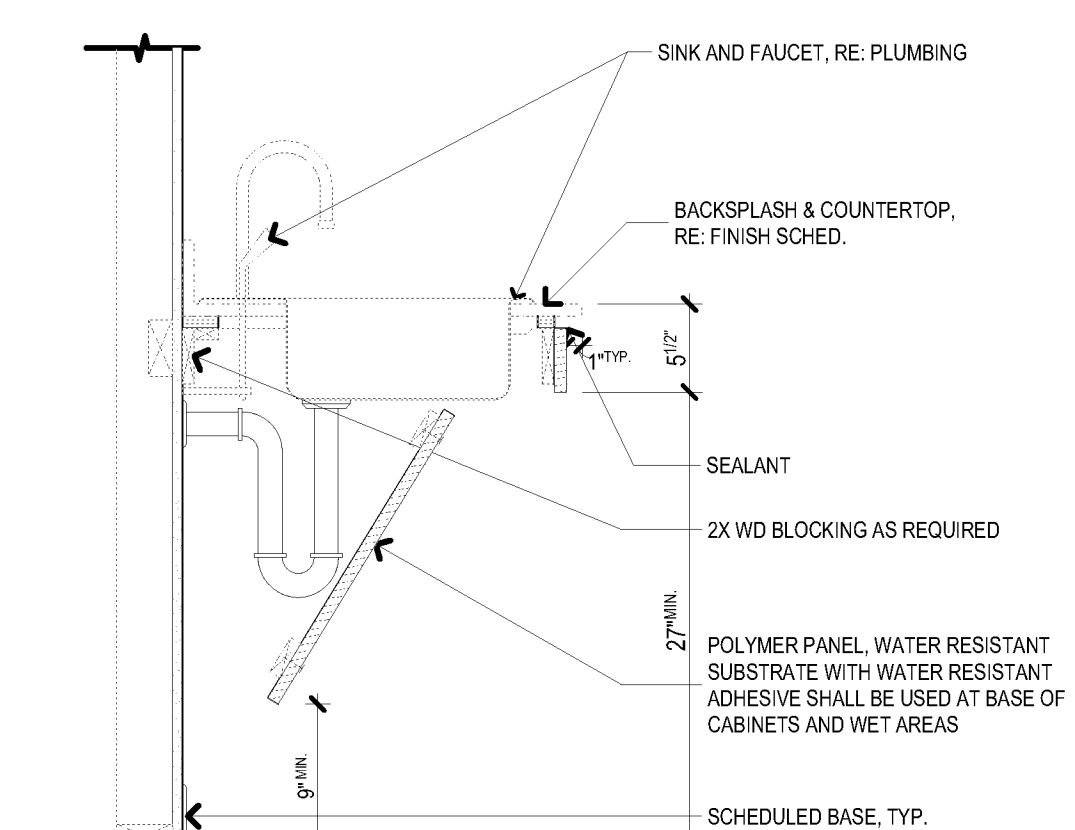
B5 PW 4 DRAWER BASE
SCALE: 1" = 1'-0"



A2 SALON BOWL
SCALE: 1" = 1'-0"



A4 PW NON-ADA SINK
SCALE: 1" = 1'-0"



A5 PW ADA SINK
SCALE: 1" = 1'-0"

BIM Server: SERVER2015 - BIM Server 19/14017 Concordia Baton Rouge | Ver. 19.001 | Thursday, March 31, 2016 | 8:51 PM

