

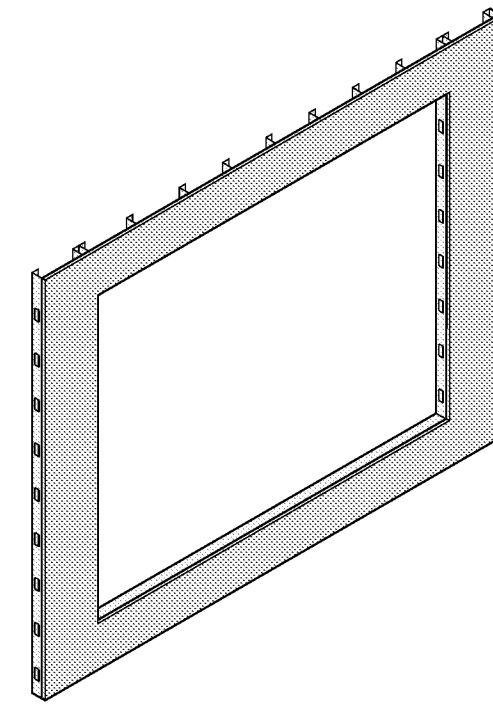
Installation Methods for DuPont Flashing Systems products AFTER DuPont™ Tyvek® Weather Barrier is Installed

Store front window on Knee Wall

- Method applies to following products:
- DuPont™ StraightFlash™
 - DuPont™ FlexWrap™
 - DuPont™ FlexWrap™ NF

STEP 1

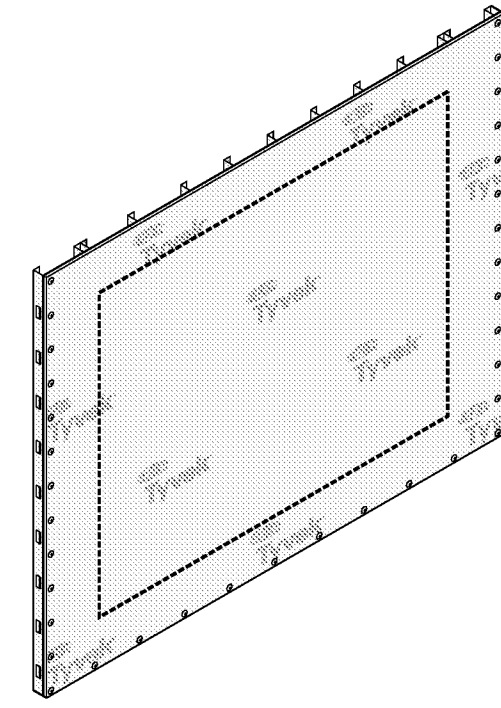
A. Cut rough opening in sheathing for window. Ensure that sheathing is cut flush with, or slightly below the sill framing to allow for positive drainage.



Copyright ©2009 E. I. du Pont de Nemours and Company. All Rights Reserved. Rev. 04/09

STEP 2

A. Wrap wall as shown in Installation Guidelines for DuPont™ Tyvek® weather barrier that can be found at www.construction.tyvek.com.

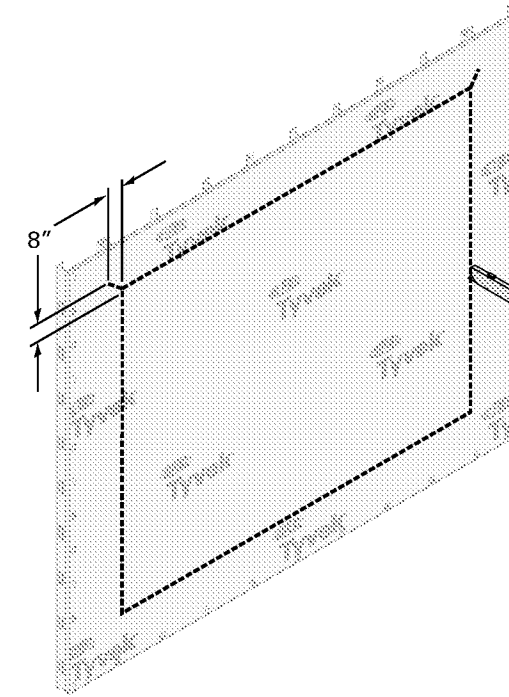


54

STEP 3

Prepare weather barrier for window installation.

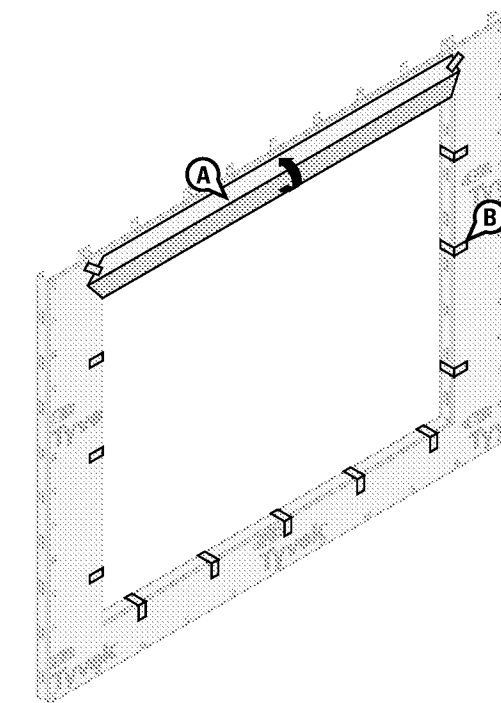
- A. Cut an opening in the DuPont™ Tyvek® weather barrier using a square cut around the perimeter of the rough opening.
 B. Cuts should be made along the dashed indicated lines. (Ensure that the DuPont™ Tyvek® weather barrier is cut flush with the sheathing and is not wrapped into the rough opening.)
 C. Cut a head flap at 45° angle to expose 8" of sheathing to allow for head flashing installation.



Copyright ©2009 E. I. du Pont de Nemours and Company. All Rights Reserved. Rev. 04/09

STEP 4

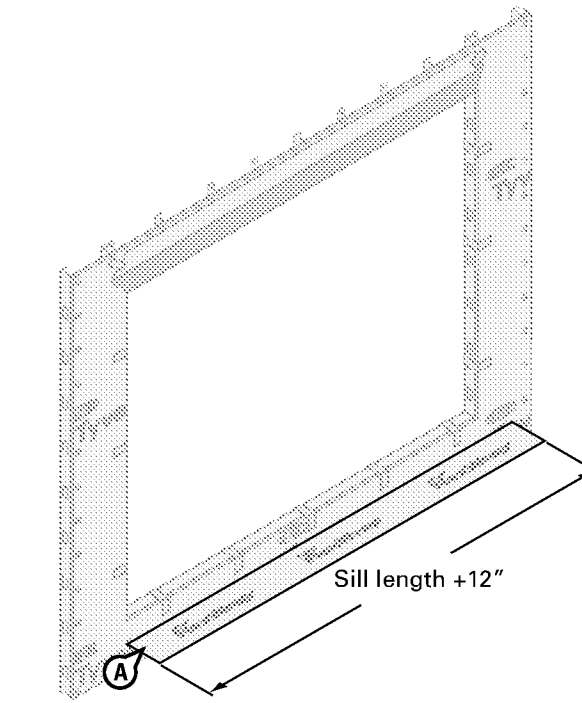
- A. Flip the head flap up to expose the sheathing and temporarily secure with tape.
 B. Temporarily secure DuPont™ Tyvek® Weather Barrier with DuPont™ Tyvek® Tape around rough opening before flashing is installed to help facilitate flashing installation.



55

STEP 5

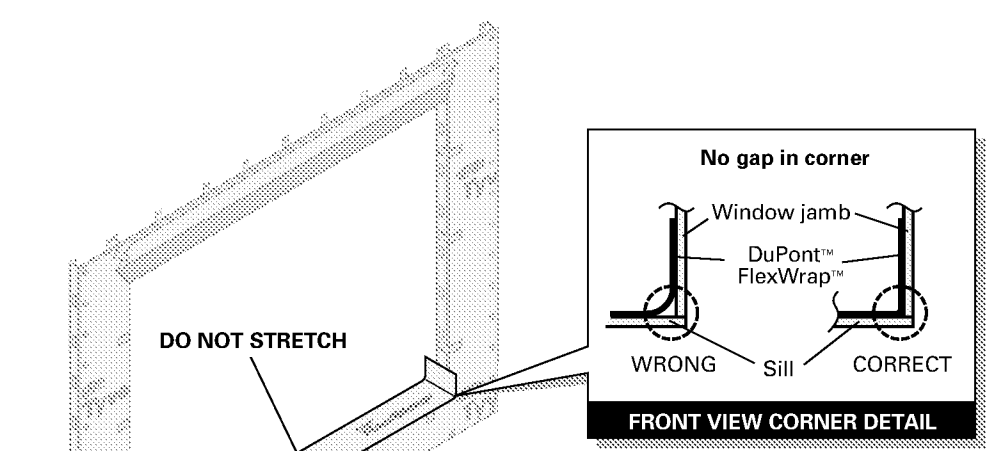
- A. Prepare the sill flashing by cutting a piece of DuPont™ FlexWrap™ that is at least 12" longer than sill length. Use 2" DuPont™ FlexWrap™ or 6" DuPont™ FlexWrap™ NF for 2 x 4 framing and 9" DuPont™ FlexWrap™ or 9" DuPont™ FlexWrap™ NF for 2 x 6 framing.
 B. Inspect installation surface to ensure surface is free of dirt or substances that could interfere with adhesion as well as any sharp protrusions.



Copyright ©2009 E. I. du Pont de Nemours and Company. All Rights Reserved. Rev. 04/09

STEP 6

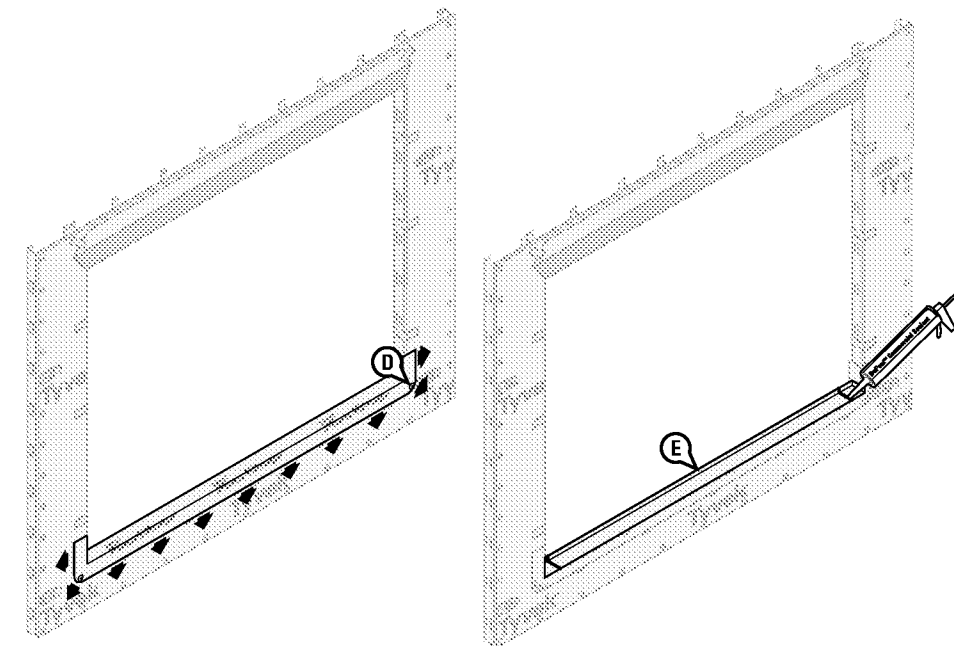
- A. Install the sill flashing. Remove the largest strip of release paper, align the flashing with the interior edge of sill, and install into rough opening across sill and up jambs (min 8"). Apply working from the middle of the sill working in along the sill before adhering up the jambs.
DO NOT STRETCH MATERIAL ALONG THE SILL OR JAMBS.



56

STEP 7

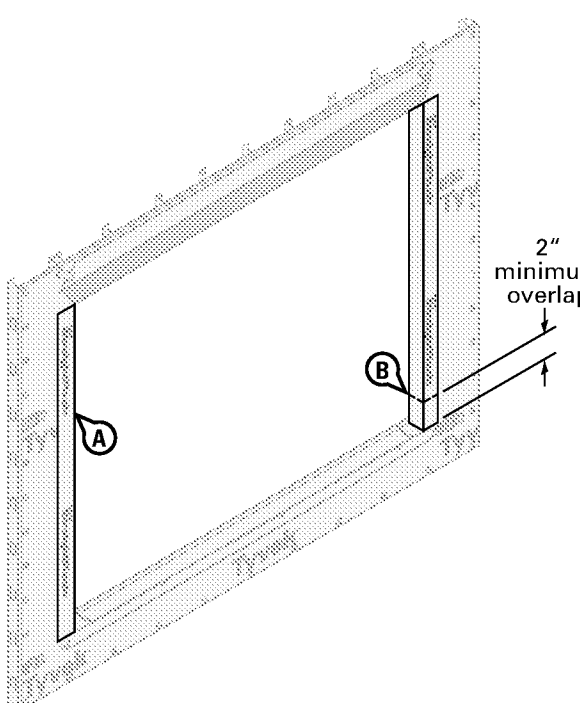
- A. Remove second half of the release paper.
 B. Fan DuPont™ FlexWrap™ or DuPont™ FlexWrap™ NF at bottom corners and adhere onto face of wall.
 C. Firmly press sill flashing to ensure full adhesion on all surfaces. Eliminate wrinkles and bubbles by smoothing surface and repositioning as necessary.
 D. Use DuPont™ Tyvek® Wrap Cap fasteners to temporarily secure the outer edge of the flashing at the lower corners. (Self tapping Wrap Cap screws are recommended for steel stud framing.) Flashing bond will strengthen over time. If using DuPont™ FlexWrap™ NF fasteners are not required.
 E. Shim, level and anchor sill pan flashing and seal corner seams per manufacturer's instructions with DuPont™ Commercial Sealant or recommended sealant.
Option 2: An alternate approved flashing method is to install DuPont™ StraightFlash™ using installation method outlined in "Non-Flange Aluminum Window Using DuPont™ StraightFlash™ VF" on page 41.



Copyright ©2009 E. I. du Pont de Nemours and Company. All Rights Reserved. Rev. 04/09

STEP 8

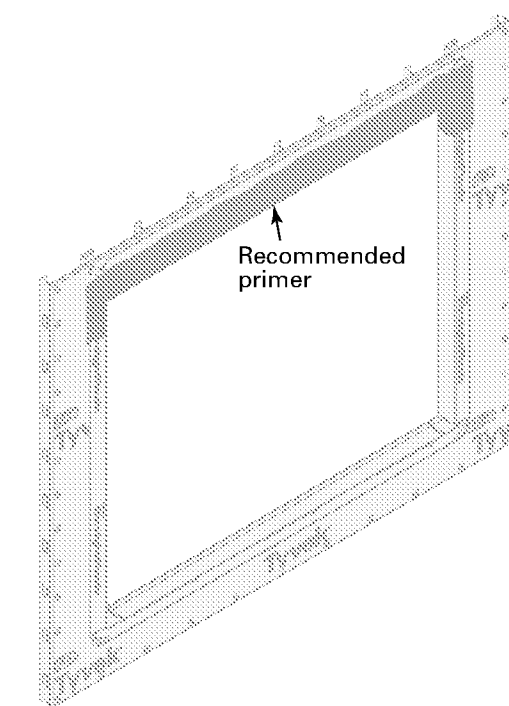
- A. Wrap 8" DuPont™ StraightFlash™ into the rough opening at each jamb and onto wall face. The flashing should align with the interior edge of the jamb framing. Cut the jamb flashing the vertical length of the rough opening.
 B. Jamb flashing should be long enough to overlap the sill flashing by at least 2" and be overlapped by future head flashing by at least 2".



57

STEP 9

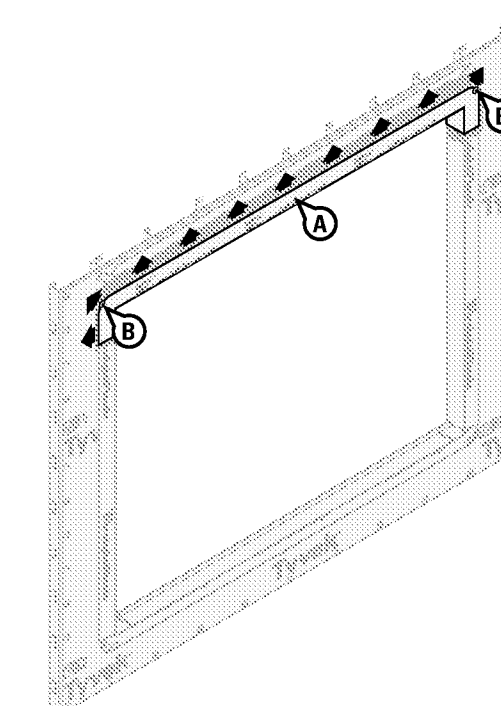
- A. Spray the top of the jambs and exposed sheathing with recommended primer.



Copyright ©2009 E. I. du Pont de Nemours and Company. All Rights Reserved. Rev. 04/09

STEP 10

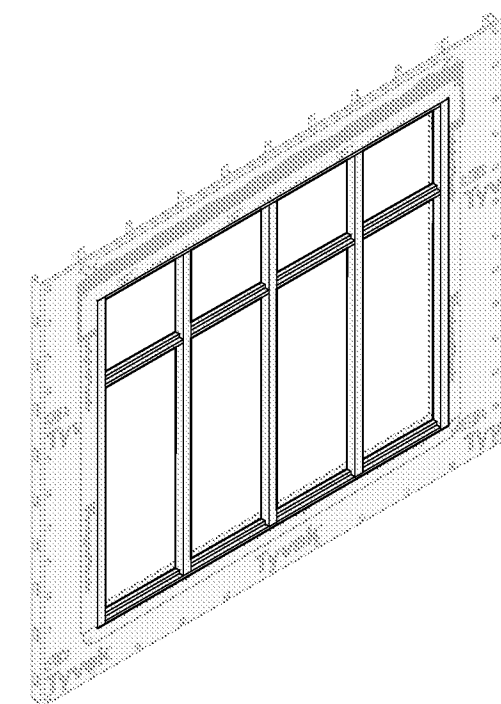
- A. Adhere DuPont™ FlexWrap™ or DuPont™ FlexWrap™ NF to the head using the same installation process as shown in steps 6 and 7 for the sill flashing. Make sure the DuPont™ FlexWrap™ is cut long enough to overlap the jamb flashing by at least 2".
 B. Use DuPont™ Tyvek® Wrap Cap fasteners to temporarily secure the outer edge of the flashing at the upper corners. (Commercial Wrap Cap screws are recommended for steel stud framing.) Flashing bond will strengthen over time. If using DuPont™ FlexWrap™ NF fasteners are not required.
NOTE: For alternate head detail see Step 6 of this Installation Guide.



58

STEP 11

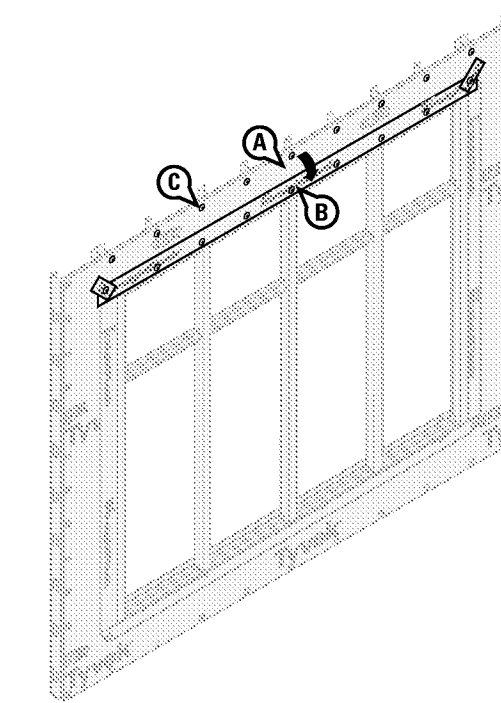
- A. Install storefront window per manufacturer's installation instructions.
 B. See steps 12-16 if the optional skirt flashing is desired. (Installation methods for DuPont Flashing Systems AFTER DuPont™ Tyvek® weather barriers is installed - for non-flanged windows.)



Copyright ©2009 E. I. du Pont de Nemours and Company. All Rights Reserved. Rev. 04/09

STEP 12

- A. Flip down the head flap and adhere 4" DuPont™ StraightFlash™ over the diagonal seams.
 B. Tape along the top of the window with DuPont™ Tyvek® Tape or 4" DuPont™ StraightFlash™.
 C. Install remaining DuPont™ Tyvek® Wrap Caps at head per the recommended spacing (every 12" to 18" depending on the vertical stud line).

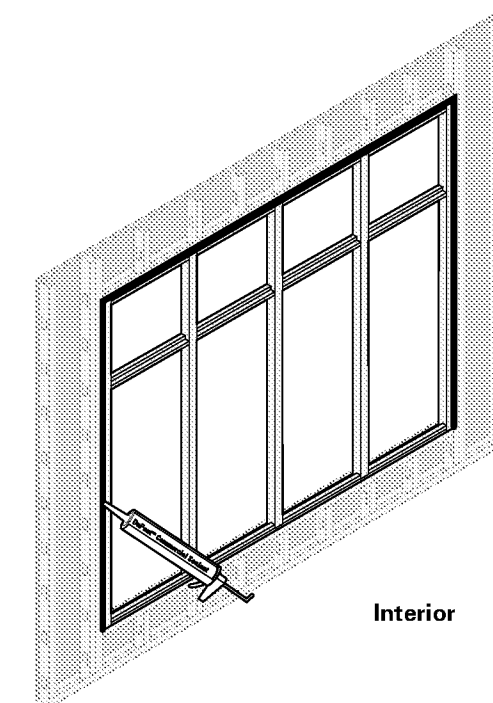


59

STEP 13

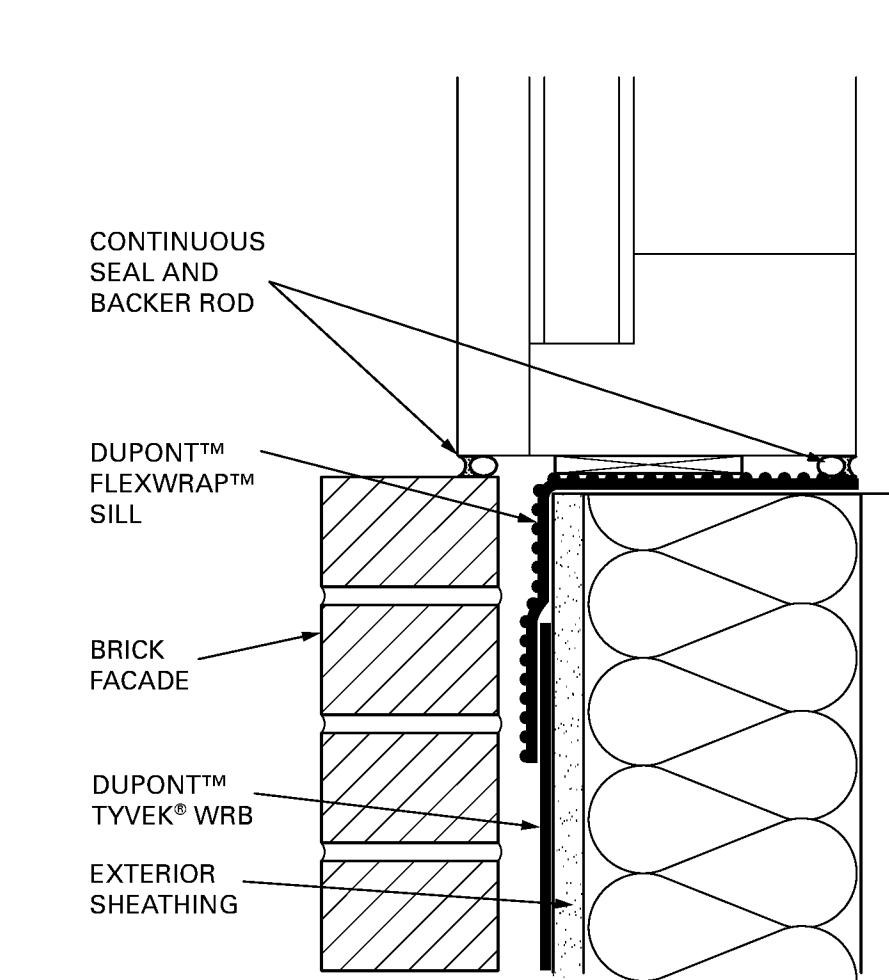
Interior view

- A. Create a continuous perimeter seal with backer rod and DuPont™ Commercial Sealant or recommended sealant on window interior to resist air and water infiltration.
 B. When the facade is complete, place a continuous sealant bead integrating the window to the facade.



Copyright ©2009 E. I. du Pont de Nemours and Company. All Rights Reserved. Rev. 04/09

SIDE VIEW DETAIL



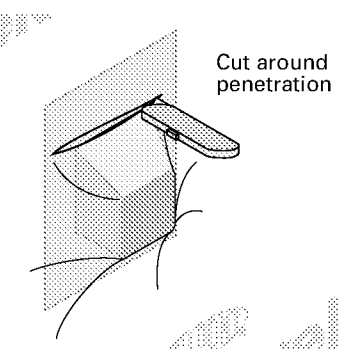
60

Penetrations

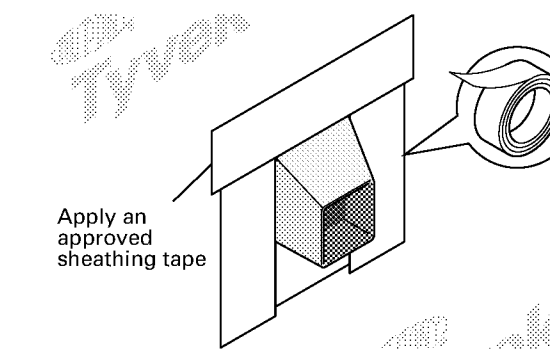
Seal the DuPont™ Tyvek® around all electrical, HVAC and plumbing penetrations with sealant and DuPont™ Tyvek® Tape, DuPont™ FlexWrap™ or DuPont™ FlexWrap™ NF. When using DuPont™ FlexWrap™ NF fasteners are not required. Products that have flanges should be integrated into the weather barrier using DuPont™ Tyvek® Tape or DuPont Flashing Systems products. DuPont™ StraightFlash™ or DuPont recommended alternate patches should be applied behind brick tie base plates and other metal fastening plates.

DuPont™ Tyvek® Tape should first be applied around penetration. DuPont™ Tyvek® Tape is used to reinforce the DuPont™ Tyvek® weather barrier. It is important that the tape be installed tight to the penetrating object. Next apply an adequate amount of DuPont™ Commercial Sealant or DuPont recommended sealant around the penetration.

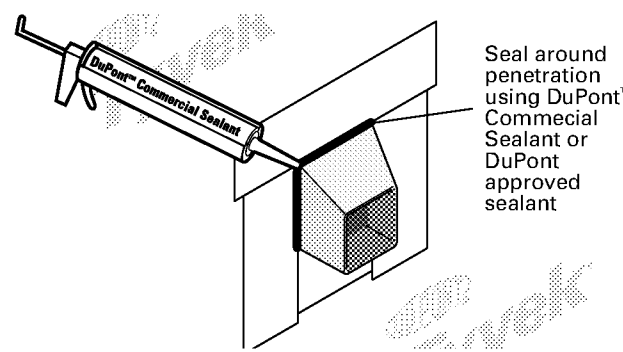
STEP 1



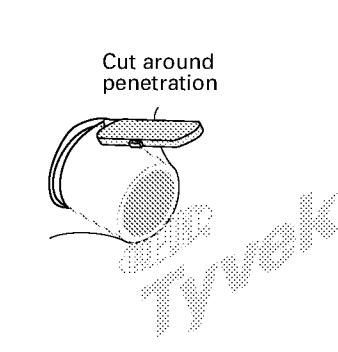
STEP 2



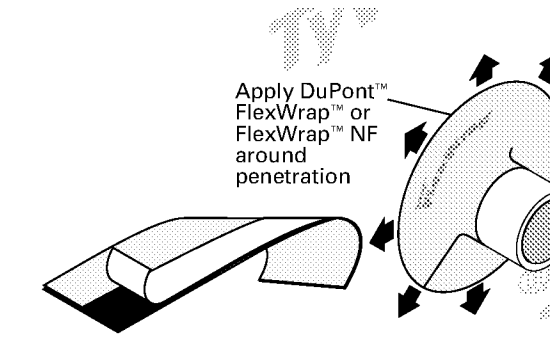
STEP 3



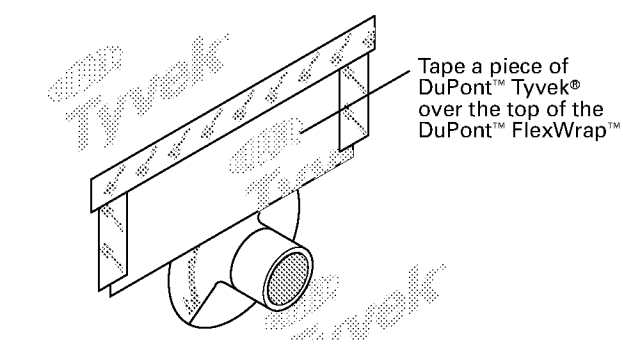
STEP 1



STEP 2



STEP 3



Copyright ©2009 E. I. du Pont de Nemours and Company. All Rights Reserved. Rev. 04/09

66

