

DuPont Flashing Systems Commercial Installation Guidelines

Installation Methods for DuPont Flashing Systems products  
AFTER DuPont™ Tyvek® Weather Barrier is Installed

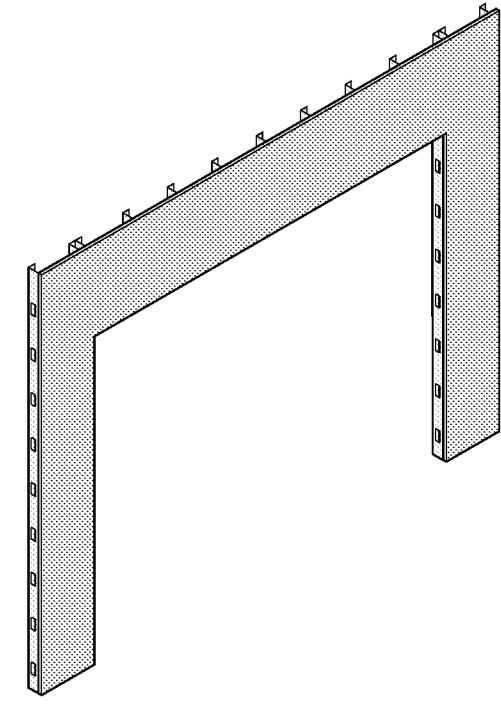
Store front Window on Slab

Method applies to following products:

- DuPont™ StraightFlash™
- DuPont™ FlexWrap™
- DuPont™ FlexWrap™ NF

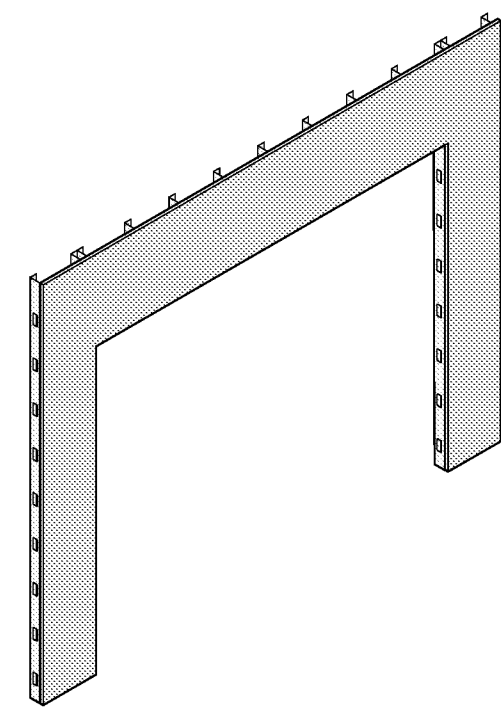
STEP 1

A. Cut rough opening in sheathing for window.



STEP 2

A. Wrap wall as shown in Installation Guidelines for DuPont™ Tyvek® weather barrier that can be found at [www.construction.tyvek.com](http://www.construction.tyvek.com).



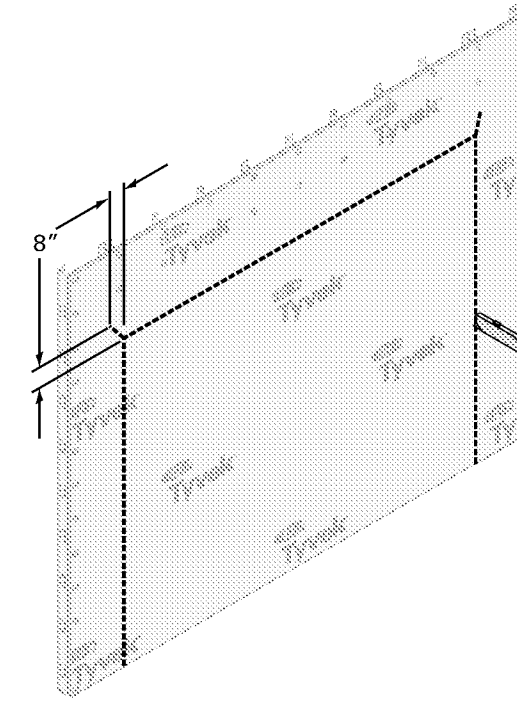
Copyright ©2009 E. I. du Pont de Nemours and Company. All Rights Reserved. Rev. 04/09

48

STEP 3

Prepare weather barrier for window installation.

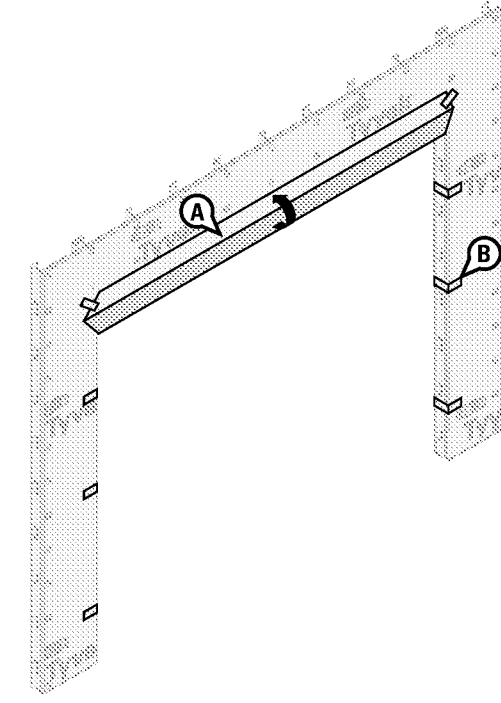
- Cut an opening in the DuPont™ Tyvek® weather barrier using a square cut around the perimeter of the rough opening.
- Cuts should be made along the dashed indicated lines. (Ensure that the DuPont™ Tyvek® weather barrier is cut flush with the sheathing and is not wrapped into the rough opening.)
- Cut a head flap at 45° angle to expose 8" of sheathing to allow for head flashing installation.



Copyright ©2009 E. I. du Pont de Nemours and Company. All Rights Reserved. Rev. 04/09

STEP 4

- Flip the head flap up to expose the sheathing and temporarily secure with tape.
- Temporarily secure DuPont™ Tyvek® weather barrier with DuPont™ Tyvek® Tape around rough opening before flashing is installed to help facilitate flashing installation.

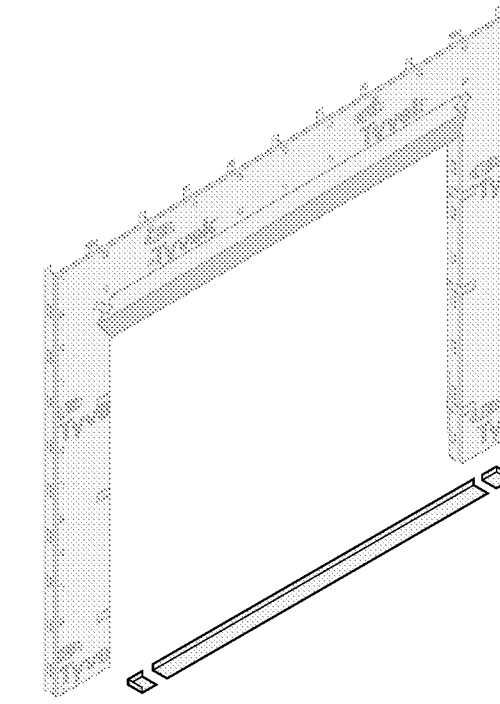


Copyright ©2009 E. I. du Pont de Nemours and Company. All Rights Reserved. Rev. 04/09

49

STEP 5

- Prepare the sill flashing per manufacturer's recommendation and seal the corner pan flashing with sealant.
- Inspect installation surface to ensure surface is free of dirt or substances that could interfere with adhesion as well as any sharp protrusions.



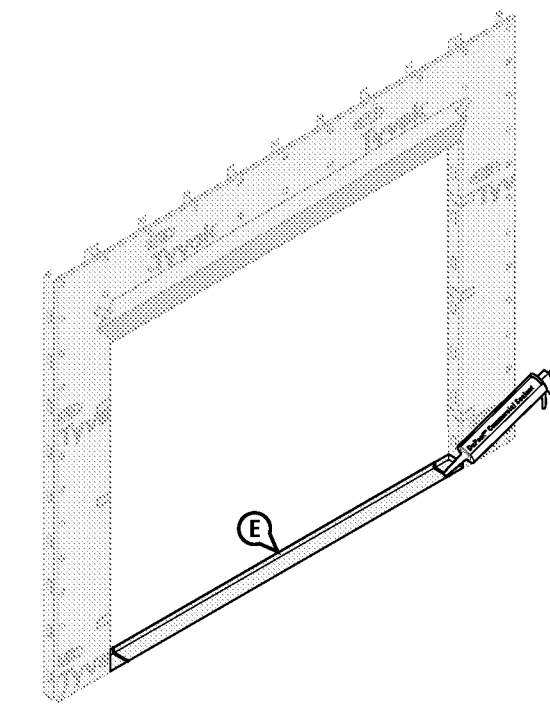
Copyright ©2009 E. I. du Pont de Nemours and Company. All Rights Reserved. Rev. 04/09

49

STEP 6

- Shim, level and anchor pan per manufacturer's instructions flashing to concrete.
- Seal corner pan flashing seams with DuPont™ Commercial Sealant or recommended sealant.

**Option 2:** An alternate approved flashing method is to install DuPont™ StraightFlash™ using installation method outlined in "Non-Flange Aluminum Window Using DuPont™ StraightFlash™ VF" on page 41.

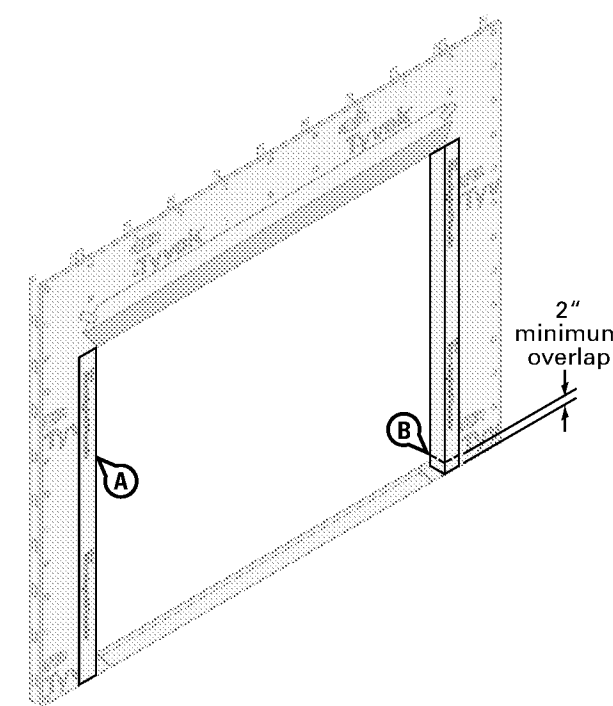


Copyright ©2009 E. I. du Pont de Nemours and Company. All Rights Reserved. Rev. 04/09

50

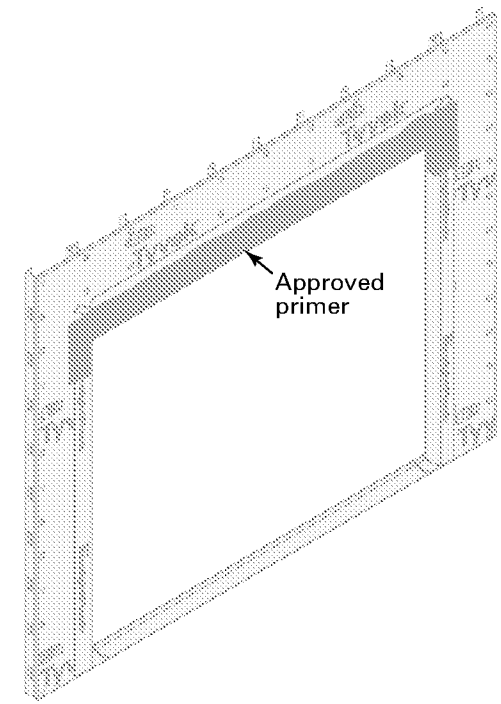
STEP 7

- Wrap 9" DuPont™ StraightFlash™ into the rough opening at each jamb end and onto wall face. The flashing should align with the interior edge of the jamb framing. Cut the jamb flashing the vertical length of the rough opening.
- Jamb flashing should be long enough to overlap the sill flashing by at least 2" and be overlapped by future head flashing by at least 2".



STEP 8

A. Apply the top of the jambs and exposed sheathing with recommended primer.

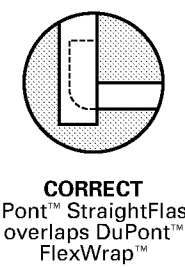
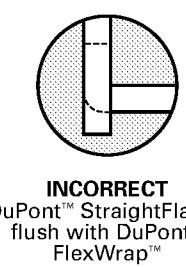
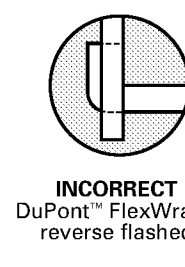
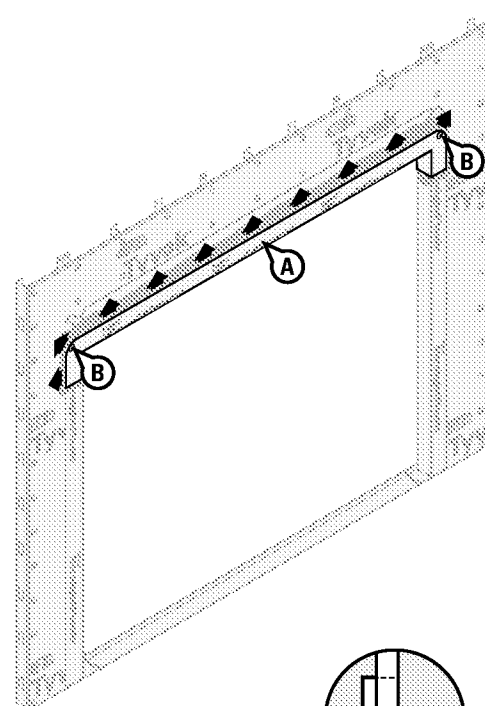


Copyright ©2009 E. I. du Pont de Nemours and Company. All Rights Reserved. Rev. 04/09

51

STEP 9

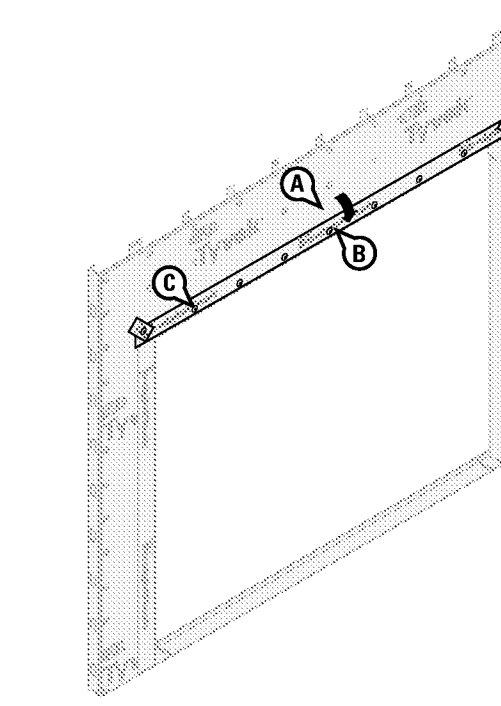
- Adhere DuPont™ FlexWrap™ or DuPont™ FlexWrap™ NF to the head. Make sure the DuPont™ FlexWrap™ is cut long enough to overlap the jamb flashing by at least 2".
- Use DuPont™ Tyvek® Wrap Cap fasteners to temporarily secure the outer edge of the flashing at the upper corners. (Commercial Wrap Cap screws are recommended for steel stud framing.) Flashing bond will strengthen over time. If using DuPont™ FlexWrap™ NF fasteners are not required.
- Use sufficient width of DuPont™ FlexWrap™ or DuPont™ FlexWrap™ NF to avoid reverse shingling of flashing at the jamb and head interface. See detail below.



Copyright ©2009 E. I. du Pont de Nemours and Company. All Rights Reserved. Rev. 04/09

STEP 10

- Flip down the head flap and adhere 4" DuPont™ StraightFlash™ over the diagonal seams.
- Tap along the top of the window with DuPont™ Tyvek® Tape or 4" DuPont™ StraightFlash™.
- Install remaining DuPont™ Tyvek® Wrap Caps at head per the recommended spacing (every 12" to 18" depending on the vertical stud line).
- Install store front window frame into opening per manufacturer's instructions.

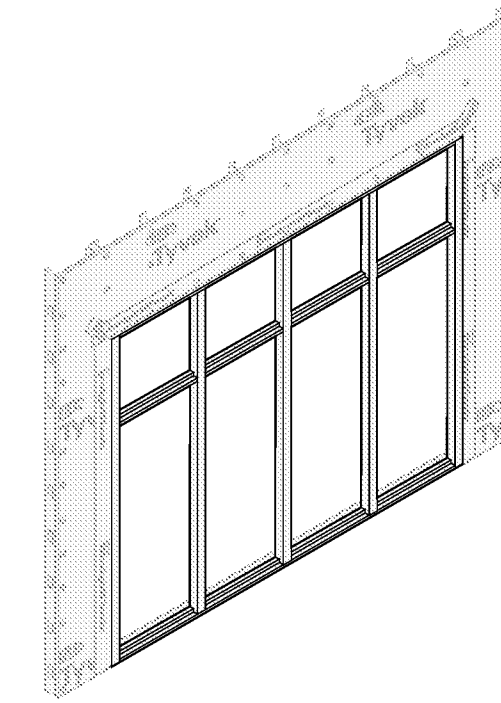


Copyright ©2009 E. I. du Pont de Nemours and Company. All Rights Reserved. Rev. 04/09

52

STEP 11

- Install store front window per manufacturer's installation instructions.
- Glaze windows per manufacturer's instructions.

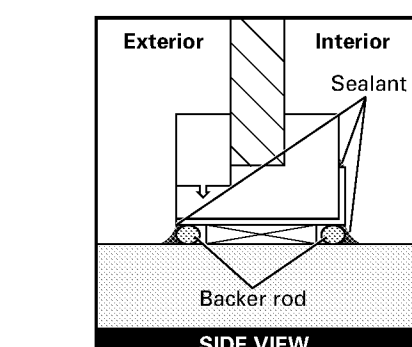
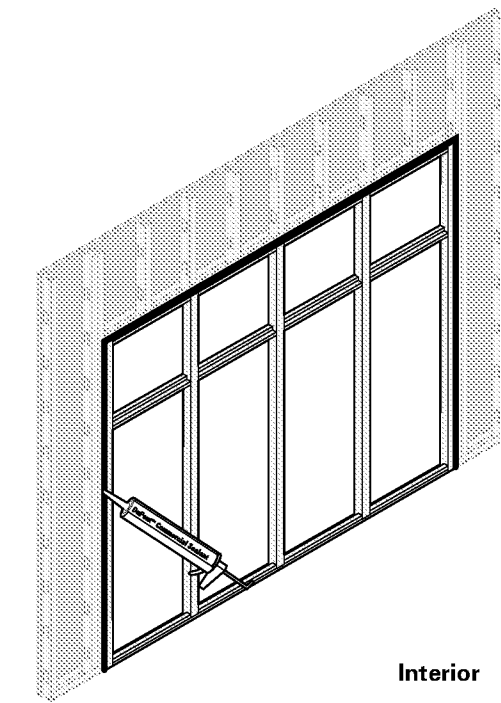


Copyright ©2009 E. I. du Pont de Nemours and Company. All Rights Reserved. Rev. 04/09

52

STEP 12

- Create a continuous perimeter seal with backer rod and DuPont™ Commercial Sealant or recommended sealant on window interior to resist air and water infiltration.



Copyright ©2009 E. I. du Pont de Nemours and Company. All Rights Reserved. Rev. 04/09

53

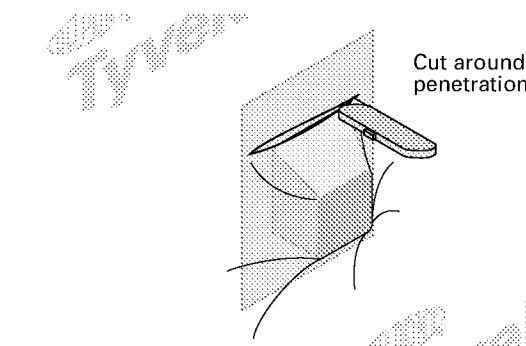
DuPont Flashing Systems Commercial Installation Guidelines

Penetrations

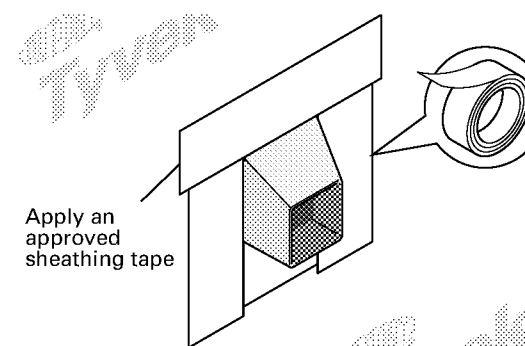
Seal the DuPont™ Tyvek® around all electrical, HVAC and plumbing penetrations with sealant and DuPont™ Tyvek® Tape, DuPont™ FlexWrap™ or DuPont™ FlexWrap™ NF. When using DuPont™ FlexWrap™ NF fasteners are not required. Products that have flanges should be integrated into the weather barrier using DuPont™ Tyvek® Tape or DuPont Flashing Systems products. DuPont™ StraightFlash™ or DuPont recommended alternate patches should be applied behind brick tie base plates and other metal fastening plates.

DuPont™ Tyvek® Tape should first be applied around penetration. DuPont™ Tyvek® Tape is used to reinforce the DuPont™ Tyvek® weather barrier. It is important that the tape be installed tight to the penetrating object. Next apply an adequate amount of DuPont™ Commercial Sealant or DuPont recommended sealant around the penetration.

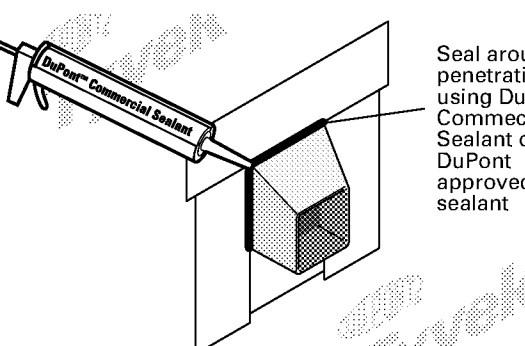
STEP 1



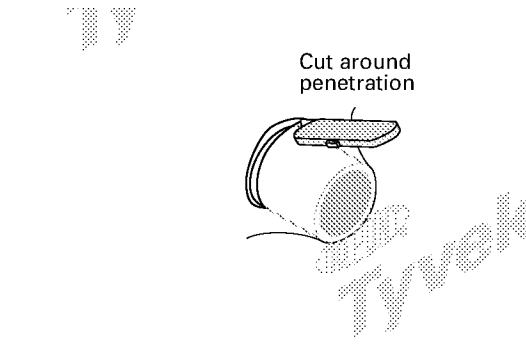
STEP 2



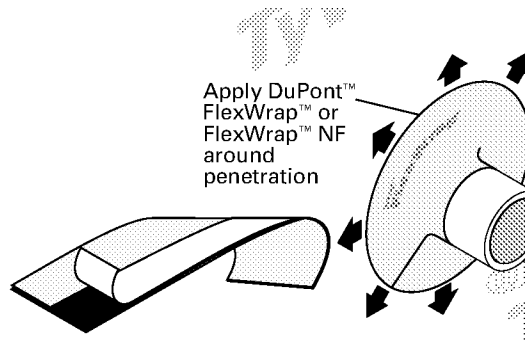
STEP 3



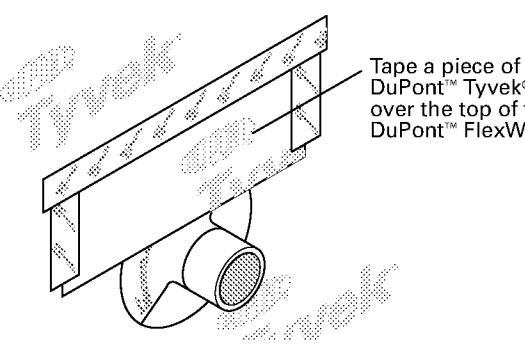
STEP 1



STEP 2



STEP 3



Copyright ©2009 E. I. du Pont de Nemours and Company. All Rights Reserved. Rev. 04/09

66