

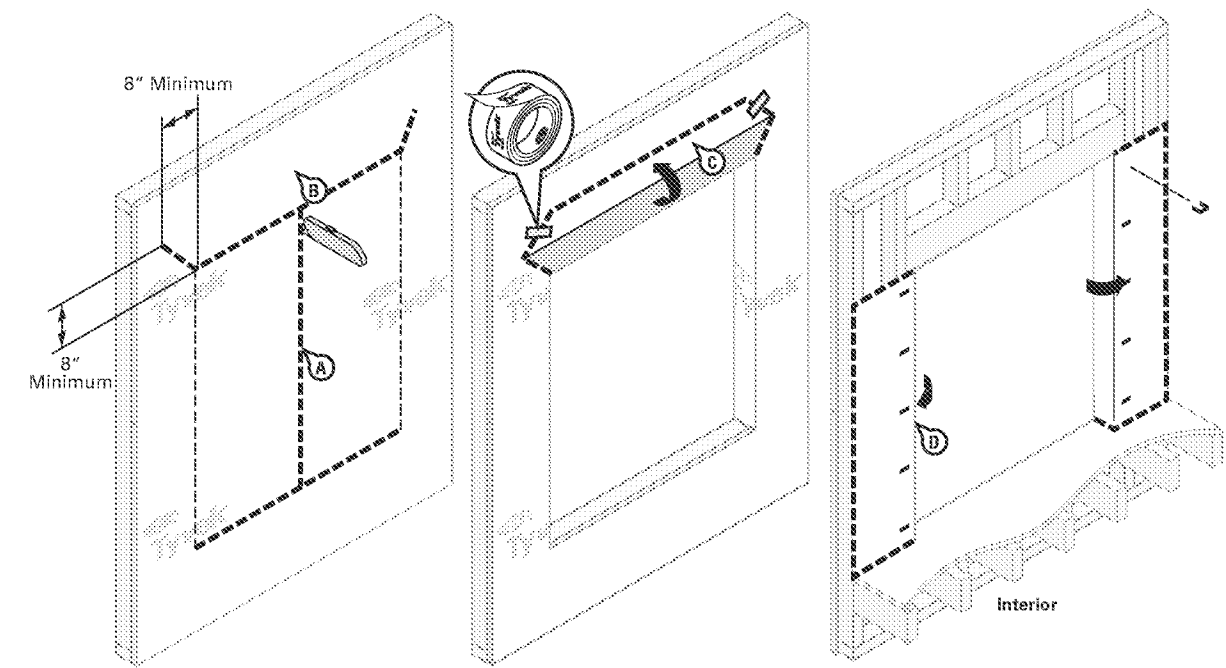
Integral Flanged Door AFTER Water-Resistive Barrier (WRB) is Installed

This installation guideline is intended for doors installed above grade and/or with wood floor construction. Method applies to the following products:

- DuPont™ StraightFlash™, DuPont™ FlexWrap™ NF and DuPont™ Flashing Tape

STEP 1

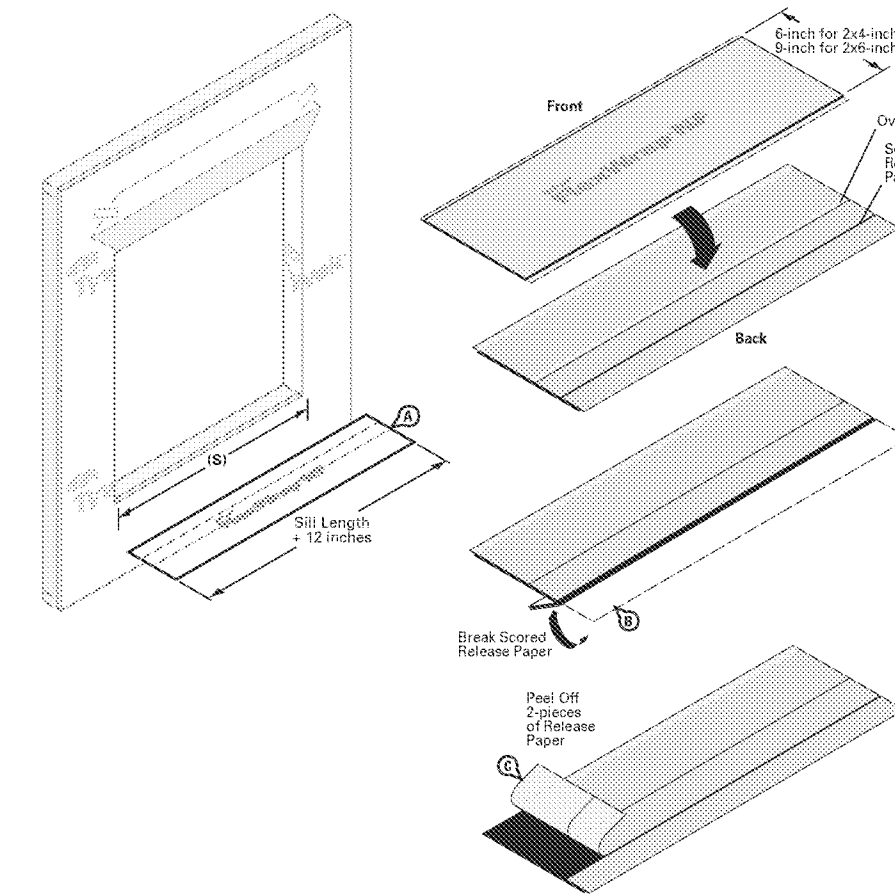
- Prepare DuPont™ Tyvek® WRB for door installation:
- Make an "I-Cut" (Standard I-Cut) in the WRB. For an "I-Cut", begin with a horizontal cut across the bottom and the top of the door frame. From the center, cut straight down to the sill.
 - Cut two 45 degree slits a minimum of 8" extending from the corner of the door head up and away from door opening from the corner of the header, to create a flap above the rough opening to expose sheathing or framing members, to allow head flashing installation (see step 6). **NOTE:** Some doors and flashing widths may require longer slits.
 - Flip head flap up and temporarily secure with DuPont™ Tyvek® Tape.
 - Fold side flaps into rough opening and secure to inside wall. Cut off excess flaps if desired.



Copyright ©2011 E. I. du Pont de Nemours and Company. All Rights Reserved. Rev. 10/11

STEP 2

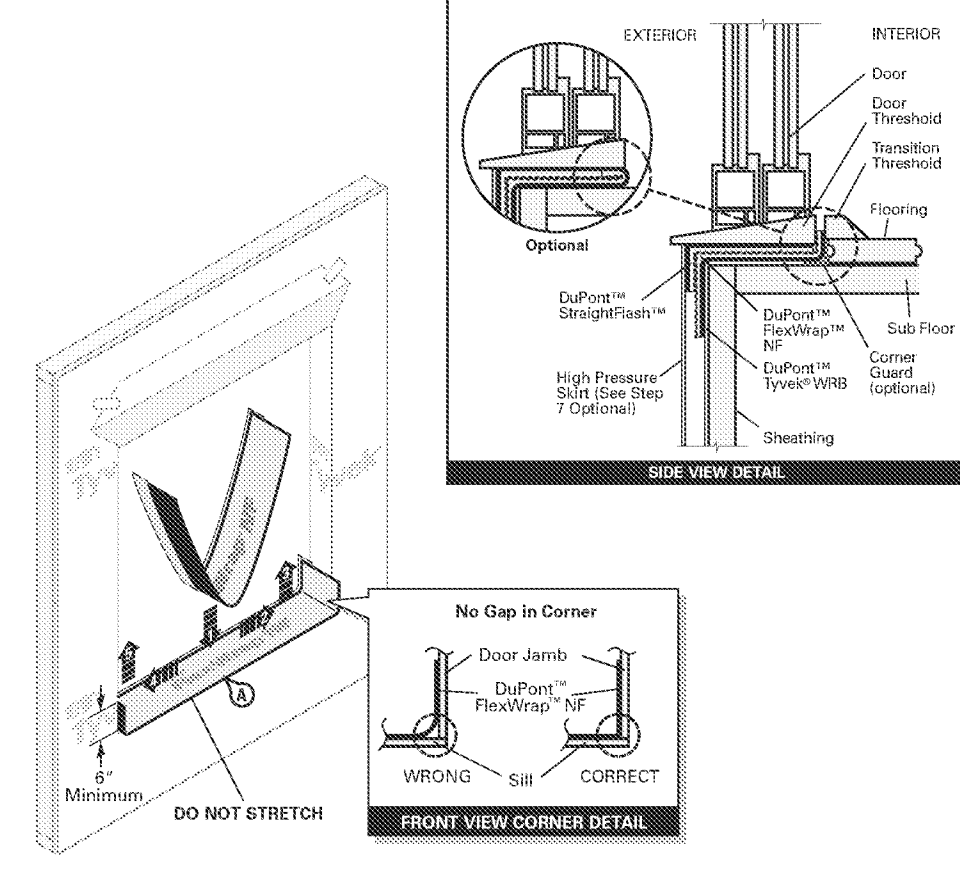
- Preparation of sill flashing:
- Cut DuPont™ FlexWrap™ NF at least 12" LONGER than width of the sill (S).
 - DuPont™ FlexWrap™ NF has perforated release paper to help with the formation of the back dam. To ensure that the perforation tears cleanly, fold the perforation 180° and crease the flashing.
 - Remove the two widest pieces of release paper leaving the narrowest release paper on the flashing. When the finished floor is applied, the release paper can be removed and the back dam can be completed.



Copyright ©2011 E. I. du Pont de Nemours and Company. All Rights Reserved. Rev. 10/11

STEP 3

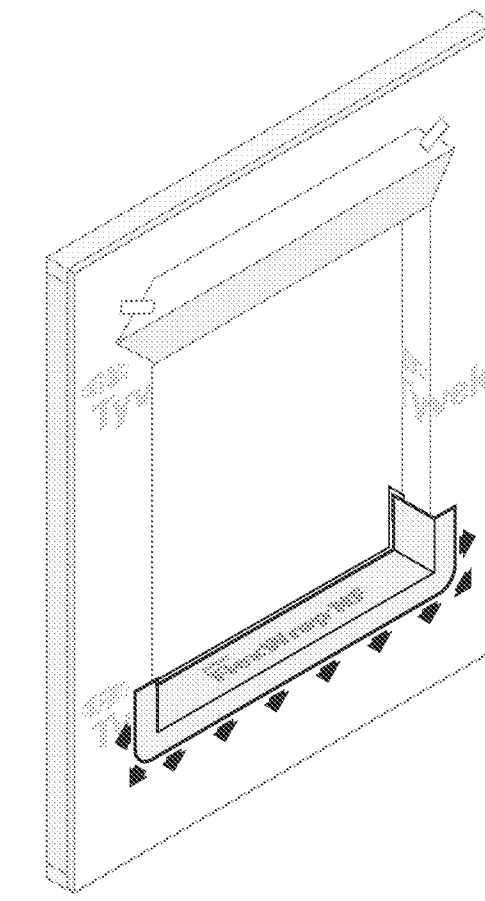
- Install the sill flashing as indicated leaving the 1" of DuPont™ FlexWrap™ NF with release paper extending past the door threshold on the inside. When the 1" of release paper is removed, there should be 3/4" of flashing to form the back dam. **OPTIONAL:** Some flooring cannot accommodate a back dam. In that case, fold the 1" back dam on top of 9" DuPont™ FlexWrap™ NF in the sill. Door will be installed on top of the 1" fold to create a back dam.



Copyright ©2011 E. I. du Pont de Nemours and Company. All Rights Reserved. Rev. 10/11

STEP 4

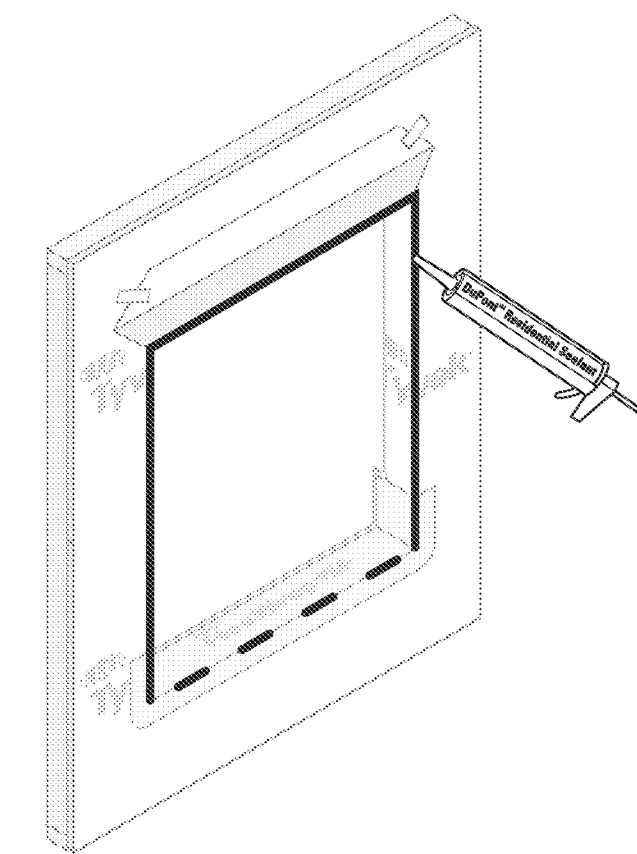
- Flap out DuPont™ FlexWrap™ NF at bottom corners onto face of wall. Coverage of DuPont™ FlexWrap™ NF should be 2" to 3" onto the face of the wall.



Copyright ©2011 E. I. du Pont de Nemours and Company. All Rights Reserved. Rev. 10/11

STEP 5

- Apply DuPont™ Residential Sealant, DuPont™ Commercial Sealant or recommended sealant on three sides (jamb and head) as shown below. If sealant is applied to the sill, ensure that there are at least two (2) 2" gaps in the sealant bead for every 4' of window to allow for drainage.

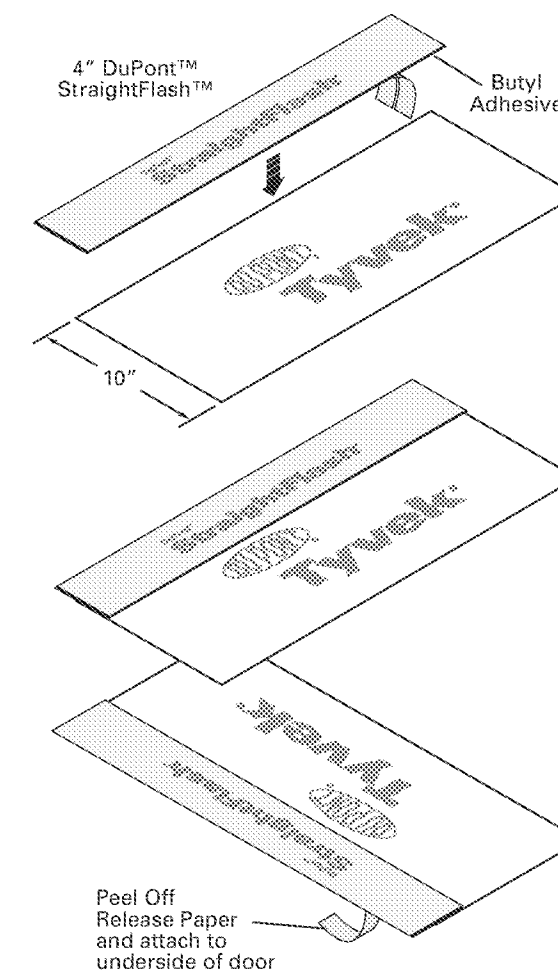


Copyright ©2011 E. I. du Pont de Nemours and Company. All Rights Reserved. Rev. 10/11

STEP 6 (OPTIONAL)

For extreme weather conditions, performance requirements exceeding ASTM E1677, or window/door design ratings of DP45 or greater, see General Instructions.

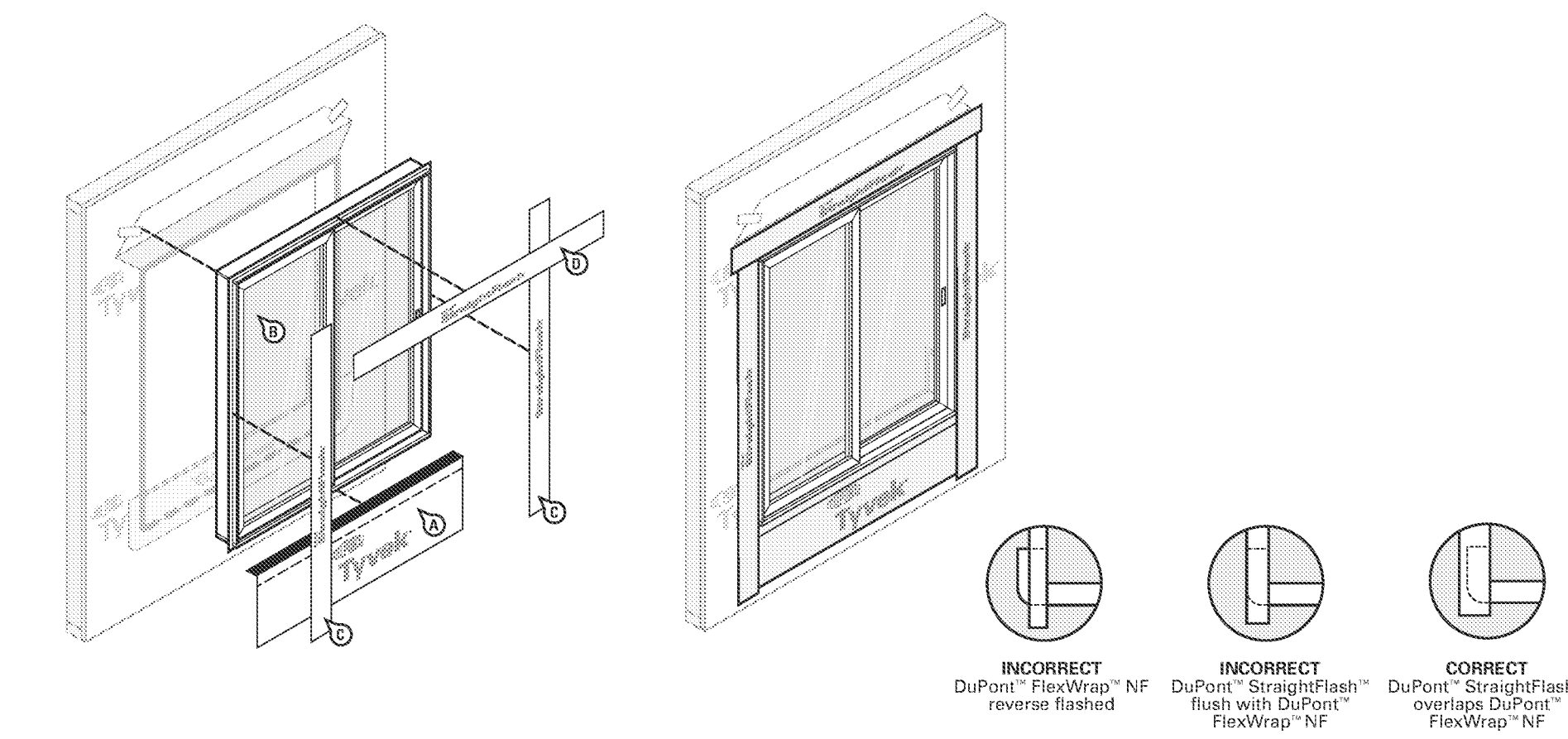
- Create the high pressure skirt by cutting a piece of DuPont™ Tyvek® WRB 1" wider than the width of door opening and approximately 10" in depth.
- Cut a 4" piece of DuPont™ StraightFlash™ or DuPont™ Flashing Tape to the same width as the skirt. Remove two pieces of release paper and adhere to the DuPont™ Tyvek® WRB.
- Remove the last piece of release paper and attach the skirt to the underside of the door. This skirt may be made with DuPont™ StraightFlash™, DuPont™ Flashing Tape, or DuPont™ StraightFlash™ VF.



Copyright ©2011 E. I. du Pont de Nemours and Company. All Rights Reserved. Rev. 10/11

STEP 7

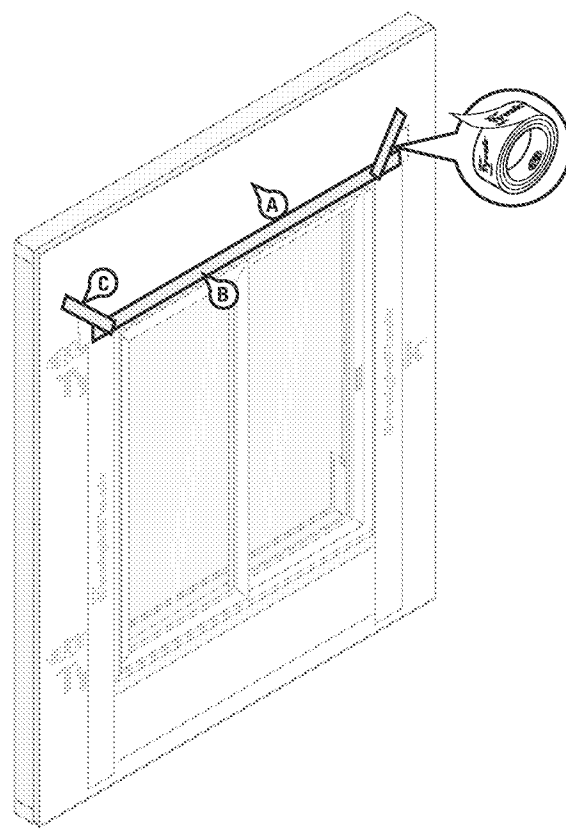
- OPTIONAL:** Adhere high pressure skirt to the bottom threshold of the door.
 - Install door according to manufacturer's instructions.
 - Cut two pieces of DuPont™ StraightFlash™, or DuPont™ FlexWrap™ NF, or DuPont™ Flashing Tape for jamb flashing extending 1" above door head flange and below bottom edge of sill flashing. Remove release paper and press tightly along sides of door frame.
 - Cut a piece of DuPont™ StraightFlash™, or DuPont™ FlexWrap™ NF, or DuPont™ Flashing Tape for head flashing, which extends beyond outer edges of jamb flashings. Remove release paper and install completely covering mounting flange and adhering to exposed sheathing or framing members (see D).
- NOTE:** Ensure proper shingling. DuPont™ StraightFlash™ or DuPont™ Flashing Tape must overlap DuPont™ FlexWrap™ NF and adhere to the DuPont™ Tyvek® WRB.



Copyright ©2011 E. I. du Pont de Nemours and Company. All Rights Reserved. Rev. 10/11

STEP 8

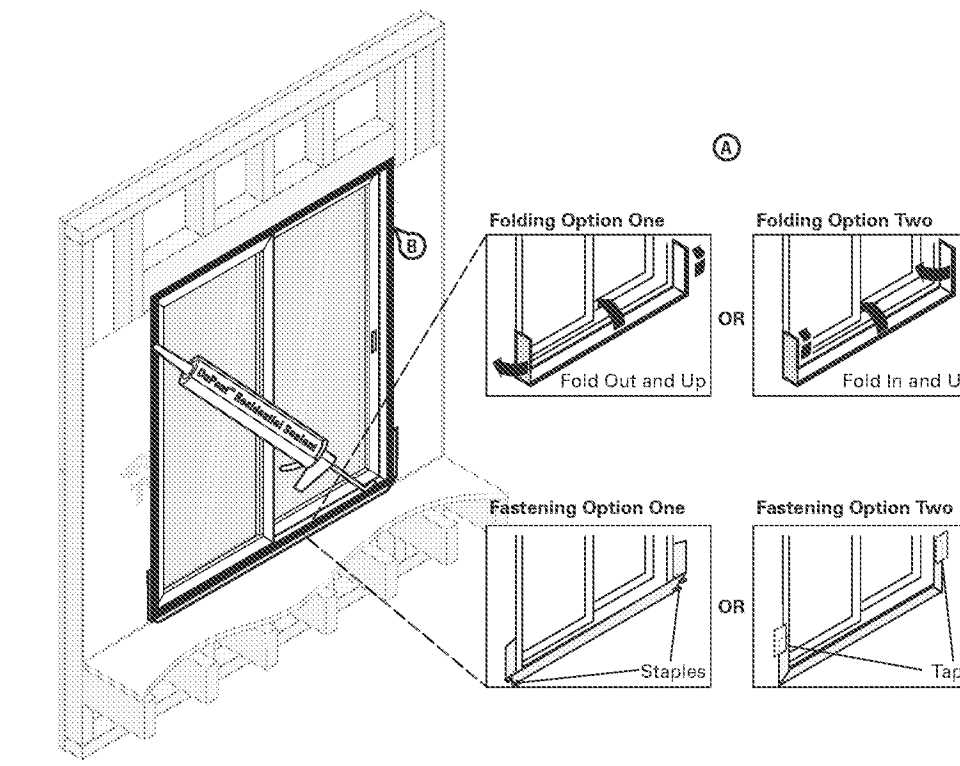
- Flip down upper flap of DuPont™ Tyvek® WRB so it lays flat across head flashing.
- At the head, continuous tape seams as shown with DuPont™ Tyvek® Tape. Skip-taping at the head is acceptable if an air barrier is not required or if additional drainage is desired. **DO NOT TAPE** at bottom of door.
- Tape down diagonal seams of DuPont™ Tyvek® WRB.



Copyright ©2011 E. I. du Pont de Nemours and Company. All Rights Reserved. Rev. 10/11

STEP 9

- Final Step**
- OPTIONAL:** When the interior flooring is ready to install, remove release paper and use Folding Option One or Two (shown below) to form back dam.
 - Install DuPont™ Residential Sealant, DuPont™ Commercial Sealant or recommended sealant (and backer rod as necessary) around the window opening at the interior. It is also acceptable to use DuPont™ Window & Door Foam or recommended foam. The seal created by the sealant (and backer rod as necessary) or foam will also serve as a back dam. DuPont™ Residential Sealant or DuPont™ Commercial Sealant should be tumbled flat to allow the natural curing process to create a concave shape. Be sure that the sealant penetrates the grooves of the DuPont™ FlexWrap™ NF around the sill. **NOTE:** Installations that specify a window/door design rating of DP45 or greater require extra precautions. See General Instructions for performance requirements exceeding the design rating.



Copyright ©2011 E. I. du Pont de Nemours and Company. All Rights Reserved. Rev. 10/11

WATERSTONE AT BATON ROUGE ASSISTED LIVING & MEMORY CARE
SIEGEN LANE
BATON ROUGE, LA 70810

ISSUE: PERMIT SET

©2016 PI ARCHITECTS, INC.

REVISIONS:

DATE: 03/31/2016
PROJECT NUMBER: 14017
SHEET TITLE: FLASHING DETAILS

SHEET: A6.7