

DuPont™ Flashing Systems Installation Guidelines

Recommended Primers*

MANUFACTURER	PRODUCT NAME
3M	Hi-Strength 90
Densol	Buffy Primer (spray or cat)

* Apply per manufacturers' guidelines. For non-DuPont products, DuPont assumes no liability for use of recommended products, installers need to evaluate suitability of recommended products in their end-use applications.

DuPont Recommended Low Expansion Foam

MANUFACTURER	PRODUCT NAME
DuPont	DuPont™ Window & Door Foam

DuPont Recommended Fasteners*

MANUFACTURER	PRODUCT NAME
DuPont	DuPont™ Tyvek® Wrap Cap nails
DuPont	DuPont™ Tyvek® Wrap Cap screws
DuPont	DuPont™ Tyvek® Wrap Cap staples (for Stinger™ or Crosstie™ cap stapler)**

DuPont™ Tyvek® Wrap Cap with alternate screws
 1.0 inch minimum crown staples**
 * Apply per manufacturers' guidelines. For non-DuPont products, DuPont assumes no liability for use of recommended products, installers need to evaluate suitability of recommended products in their end-use applications.
 ** Except when installing DuPont™ Tyvek® WRBs over foam and other non-nail-base sheathings.

Warranty

Please see DuPont Weatherization Products Limited Warranty for buildings less than 6 stories at www.Weatherization.Tyvek.com.

General Instructions

For buildings less than 5 stories
 For performance requirements exceeding ASTM E1677, 65 mph equivalent structural load and 15 mph equivalent wind-driven rain water infiltration for buildings less than 5 stories, or for installations that specify a window/door design rating of DP45 or greater, it is recommended to install a high pressure skit to help prevent water intrusion at the sill or threshold and follow the DuPont™ Flashing Systems Commercial Installation Guidelines.

DuPont™ Flashing Systems products should be installed on clean, dry surfaces that are free of frost. Wipe surfaces to remove moisture, dirt, grease and other debris that could interfere with adhesion.

When cutting the Weather-Resistant Barrier (WRB) to prepare the opening, remove an additional 1" strip of the WRB head flap to allow more room for the tape adhesive to seal the head flashing.

Apply pressure along entire surface of flashing for a good bond using a J-roller or firm hand pressure.

Remove all wrinkles and bubbles that may allow for water intrusion by smoothing surface and repositioning as necessary.

When flashing the sill area for windows and doors, DuPont recommends the use of 6" wide DuPont™ FlexWrap™ NF for 2" x 4" framing and 9" wide DuPont™ FlexWrap™ NF for 2" x 6" framing. As an option, if a rigid back dam is desired, cut the corner back dam the length of the sill and nail into place on the interior edge of the sill prior to installation of DuPont™ FlexWrap™ NF. Then install DuPont™ FlexWrap™ NF over sill and corner guard back dam. If using 6" DuPont™ FlexWrap™ NF with optional rigid back dam, seal ends of corner guard with DuPont™ Residential Sealant, DuPont™ Commercial Sealant or recommended sealant.

Door and window rough sill framing must be level or slightly sloped to the exterior to ensure proper drainage to the exterior. This best practice ensures continuous support with positive slope to the exterior.

DuPont™ Residential Sealant and DuPont™ Commercial Sealant should be tooled flat to allow the natural curing process to create a concave joint.

DuPont™ Flashing Systems Installation Guidelines

Please contact your local DuPont™ Tyvek® Specialist for additional information and installation support.

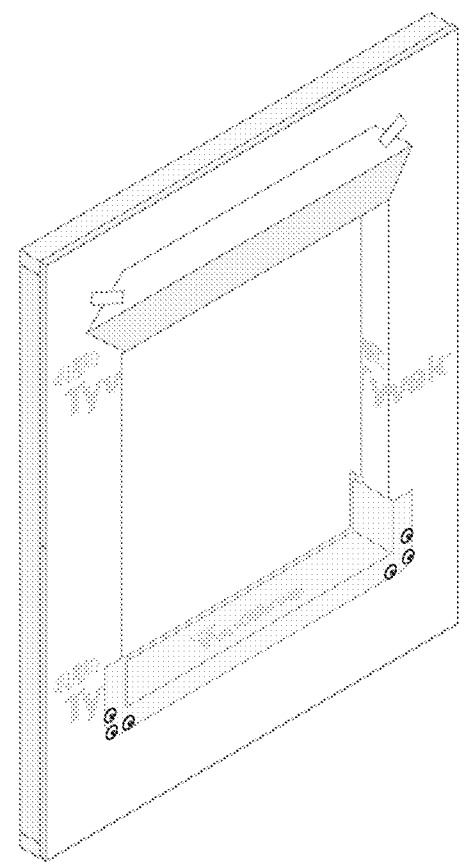
DO NOT STRETCH DuPont™ FlexWrap™ NF when installing along the length of sills or jambs. DuPont™ FlexWrap™ NF is only intended to be extended when covering corners or curved sections.

These installation instructions are applicable to both DuPont™ FlexWrap™ NF and FlexWrap™ which can be used interchangeably throughout the installation guide. However, DuPont™ FlexWrap™ must be secured with recommended fasteners as shown in the illustration at right.

DuPont™ Flashing Systems products perform best when installed at temperatures above 22°F (-4°C).

DuPont™ Flashing Systems products should not be installed over cap fasteners. Priming is generally not required for adhering DuPont™ Flashing Systems products to most common building materials. However, adverse weather conditions or cold temperatures may require use of a primer to promote adhesion. Additionally, concrete, masonry, and glass mat gypsum sheathing require the use of approved primers. For primer recommendations, see page 3.

For additional guidelines please call 1-800-44-Tyvek (800-448-9635), visit our website at www.Weatherization.Tyvek.com, or consult your local DuPont™ Tyvek® Specialist.



DuPont™ Flashing Systems Installation Guidelines

Integral Flanged Window AFTER Water-Resistive Barrier (WRB) is Installed

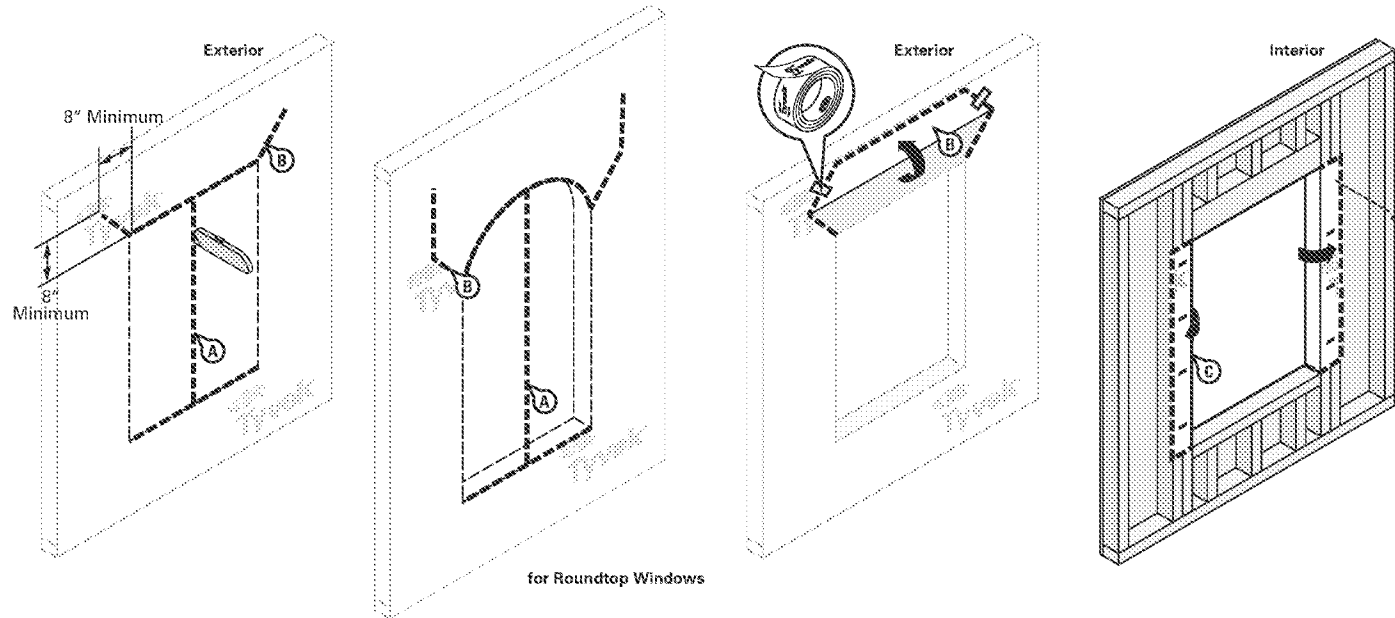
Method applies to the following products:
 • DuPont™ StraightFlash™, DuPont™ FlexWrap™ NF and DuPont™ Flashing Tape

STEP 1

Prepare the DuPont™ Tyvek® WRB for window installation:

- Make an "I-Cut" (Standard I-Cut) in the DuPont™ Tyvek® WRB (modified I-Cut is also accepted). For an "I-Cut", begin with a horizontal cut across the bottom and the top of the window frame (for round top windows, the cut should begin above the mull joint). From the center, cut straight down to the sill.
- Cut two 45 degree sills a minimum of 8" extending from the corner of the window head, up and away from the window opening. This will create a flap above the rough opening to expose sheathing or framing members to allow head flashing installation (see step 4). Flip head flap up and temporarily secure with DuPont™ Tyvek® Tape.
- NOTE: Some windows and flashing widths may require longer sills.

NOTE: Fold side flaps into rough opening and secure to inside wall. Cut off excess flaps if desired.



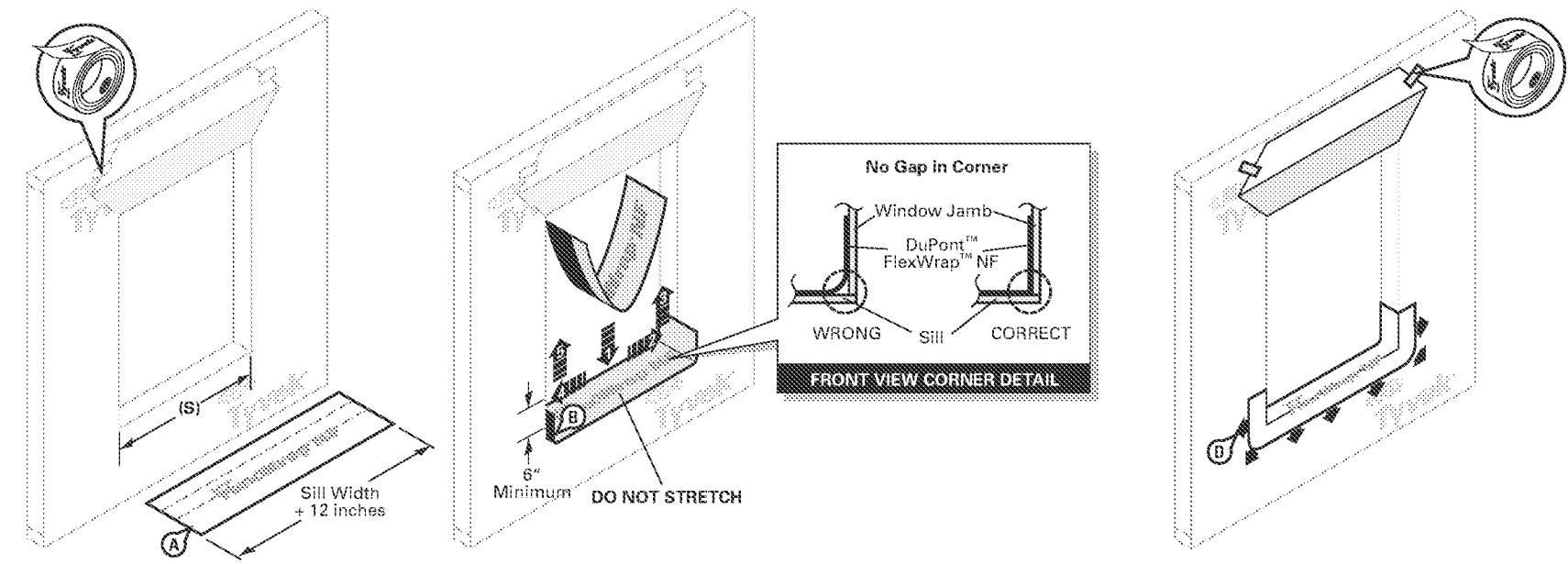
Copyright ©2011 E. I. du Pont de Nemours and Company. All Rights Reserved. Rev. 10/11

Copyright ©2011 E. I. du Pont de Nemours and Company. All Rights Reserved. Rev. 10/11

Copyright ©2011 E. I. du Pont de Nemours and Company. All Rights Reserved. Rev. 10/11

STEP 2

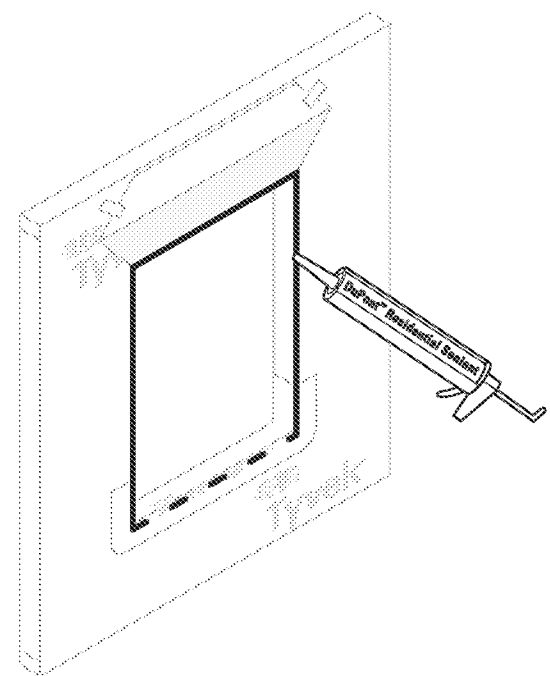
- Cut DuPont™ FlexWrap™ NF at least 12" LONGER than width of rough opening sill (S).
- Remove first piece of release paper, cover horizontal sill by aligning inside edge of sill, and adhere into rough opening along sill and up jambs (min. 6" on each side).
- Remove second release paper.
- Fan out DuPont™ FlexWrap™ NF at bottom corners onto face of wall. Coverage of DuPont™ FlexWrap™ NF should be 2" to 3" onto the face of the wall.



Copyright ©2011 E. I. du Pont de Nemours and Company. All Rights Reserved. Rev. 10/11

STEP 3

Apply DuPont™ Residential Sealant, DuPont™ Commercial Sealant or recommended sealant on three sides (jambs and head) as shown below. If sealant is applied to the sill, ensure that there are at least two (2) 2" gaps in the sealant bead for every 4' of window to allow for drainage.



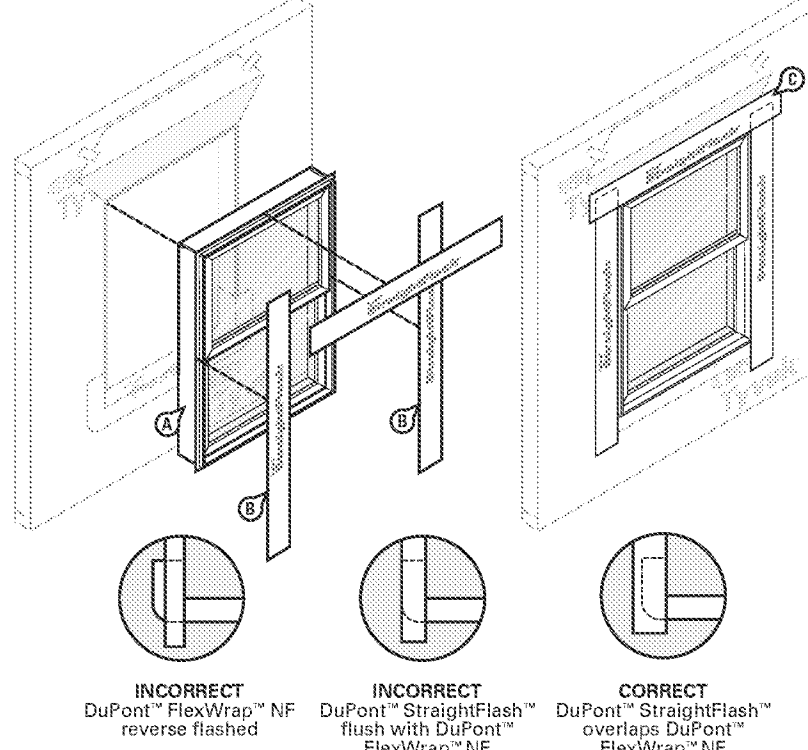
Copyright ©2011 E. I. du Pont de Nemours and Company. All Rights Reserved. Rev. 10/11

FOR RECTANGULAR WINDOWS

STEP 4

- Install window according to manufacturer's instructions.
- Cut two pieces of DuPont™ StraightFlash™, DuPont™ FlexWrap™ NF, or DuPont™ Flashing Tape for jamb flashing extending 1" above window head flange and below bottom edge of sill flashing. Remove release paper and press tightly along sides of window frame.
- Cut a piece of DuPont™ StraightFlash™, DuPont™ FlexWrap™ NF, or DuPont™ Flashing Tape for head flashing, long enough to extend beyond outer edges of jamb flashings. Remove release paper and install completely covering flange and adhering to exposed sheathing or framing members.

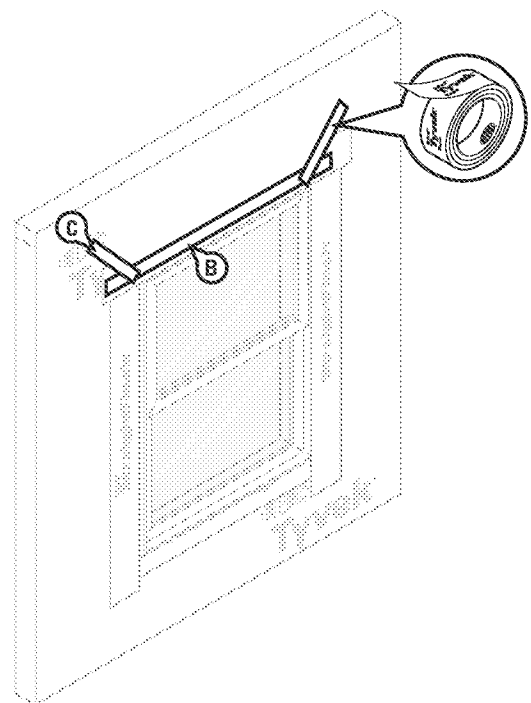
NOTE: Ensure proper shingling. DuPont™ StraightFlash™, DuPont™ FlexWrap™ NF, or DuPont™ Flashing Tape at jambs must overlap the DuPont™ FlexWrap™ NF at the sill and adhere to the DuPont™ Tyvek® WRB below the sill.



Copyright ©2011 E. I. du Pont de Nemours and Company. All Rights Reserved. Rev. 10/11

STEP 5

- Flip down upper flap of DuPont™ Tyvek® WRB so it lays flat across head flashing.
- Tape seams as shown. **DO NOT TAPE** at bottom of window. At the head, continuous tape seams as shown with DuPont™ Tyvek® Tape. Skip-taping at the head is acceptable if an air barrier is not required or if additional drainage is desired.
- Cut down diagonal seams of DuPont™ Tyvek® WRB.



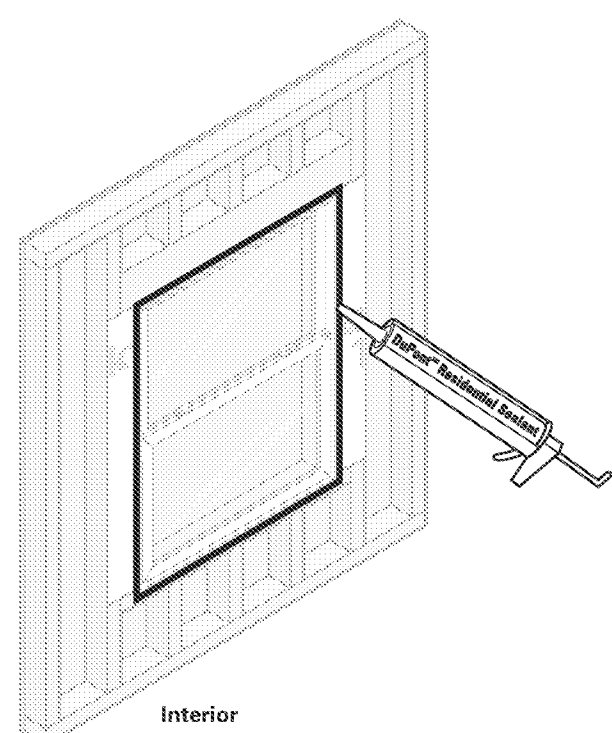
Copyright ©2011 E. I. du Pont de Nemours and Company. All Rights Reserved. Rev. 10/11

STEP 6

Final Step

Install DuPont™ Residential Sealant, DuPont™ Commercial Sealant or recommended sealant (and backer rod as necessary) around the window opening at the interior. It is also acceptable to use DuPont™ Window & Door Foam or recommended foam. The seal created by the sealant (and backer rod as necessary) or foam will also serve as a back dam. DuPont™ Residential Sealant or DuPont™ Commercial Sealant should be tooled flat to allow the natural curing process to create a concave shape. Be sure that the sealant penetrates the grooves of the DuPont™ FlexWrap™ NF around the sill.

NOTE: Installations that specify a window/door design rating of DP45 or greater require extra precautions. See General Instructions for performance requirements exceeding this design rating.



Copyright ©2011 E. I. du Pont de Nemours and Company. All Rights Reserved. Rev. 10/11



 3500 Jefferson St, Suite 303

 Austin, TX 78731


 P: (512) 231-1910

 F: (512) 231-1950

www.piarch.com

architecture + master planning

 interiors + landscape architecture



 03/31/2016

WATERSTONE AT BATON ROUGE

ASSISTED LIVING & MEMORY CARE

 SIEGEN LANE

 BATON ROUGE, LA 70810

ISSUE: PERMIT SET

©2016 PI ARCHITECTS, INC.

REVISIONS:

DATE: 03/31/2016

 PROJECT NUMBER: 14017

 SHEET TITLE: FLASHING DETAILS

SHEET: A6.6