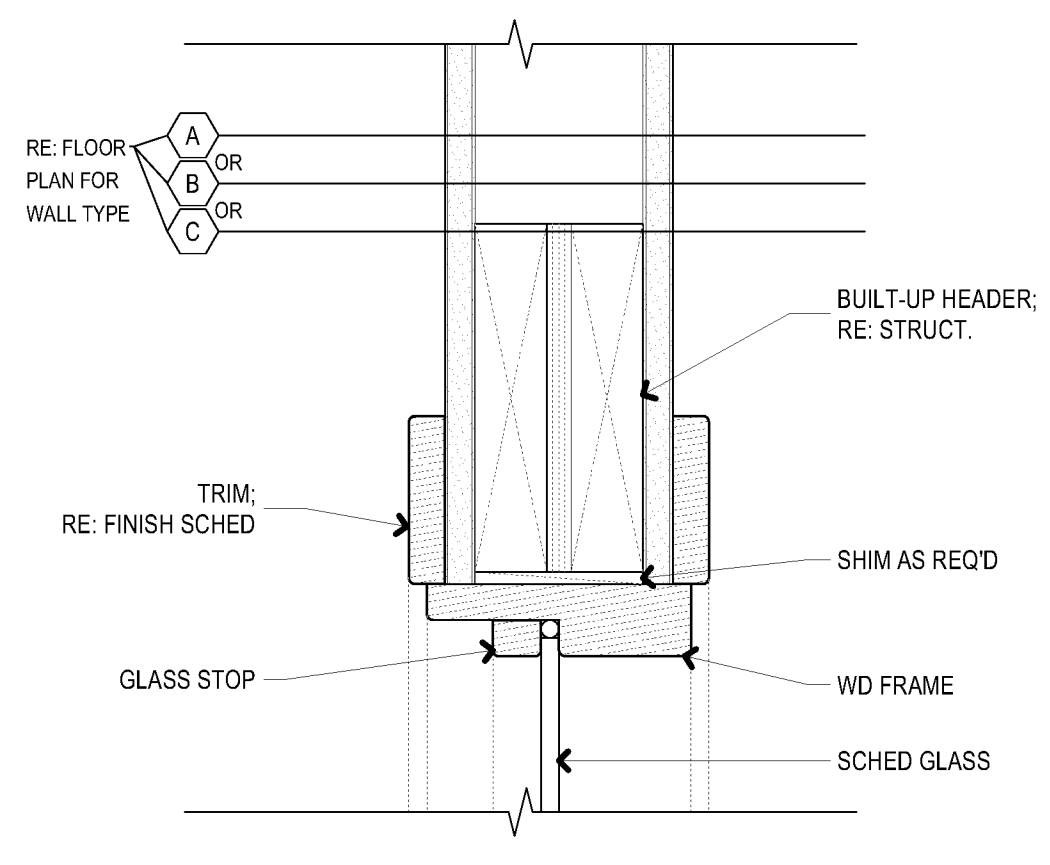
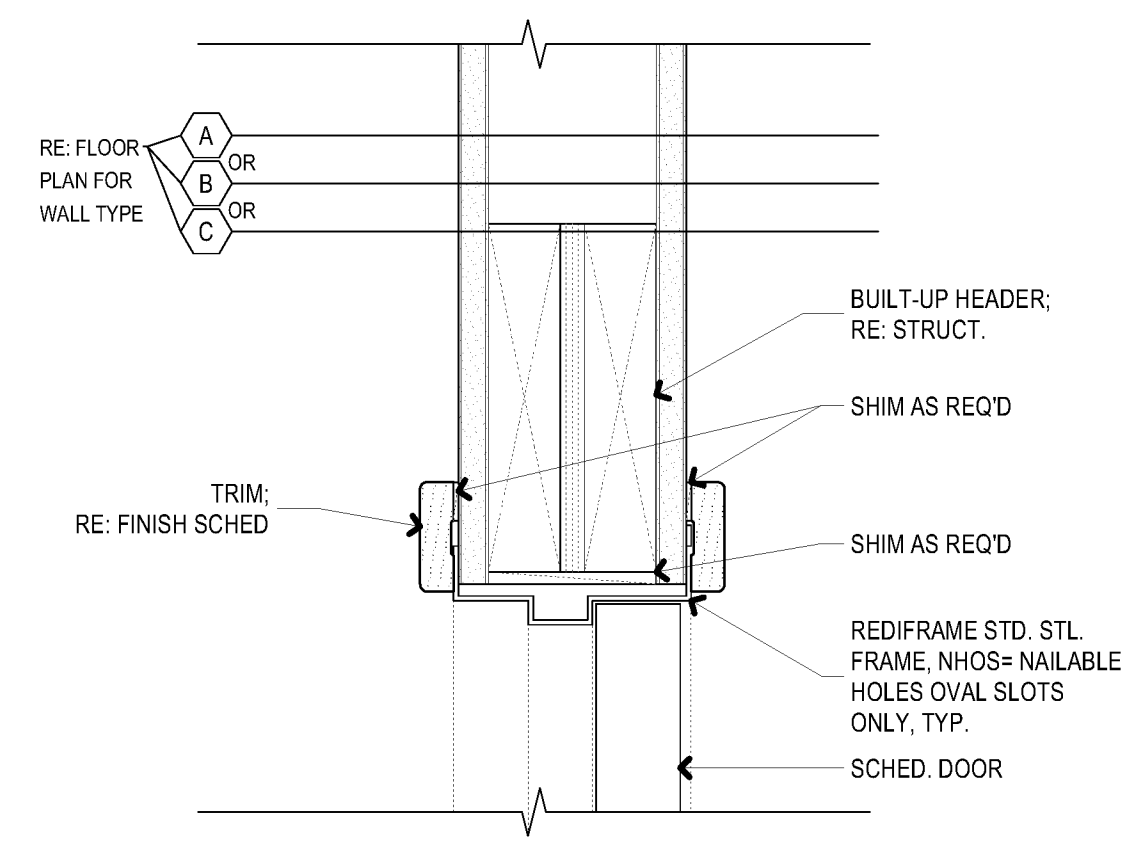


BIM Server: SERVER2015 - BIM Server 19/14017 Concordia Baton Rouge | Ver. 19.0011 Friday, April 01, 2016 | 12:28 PM

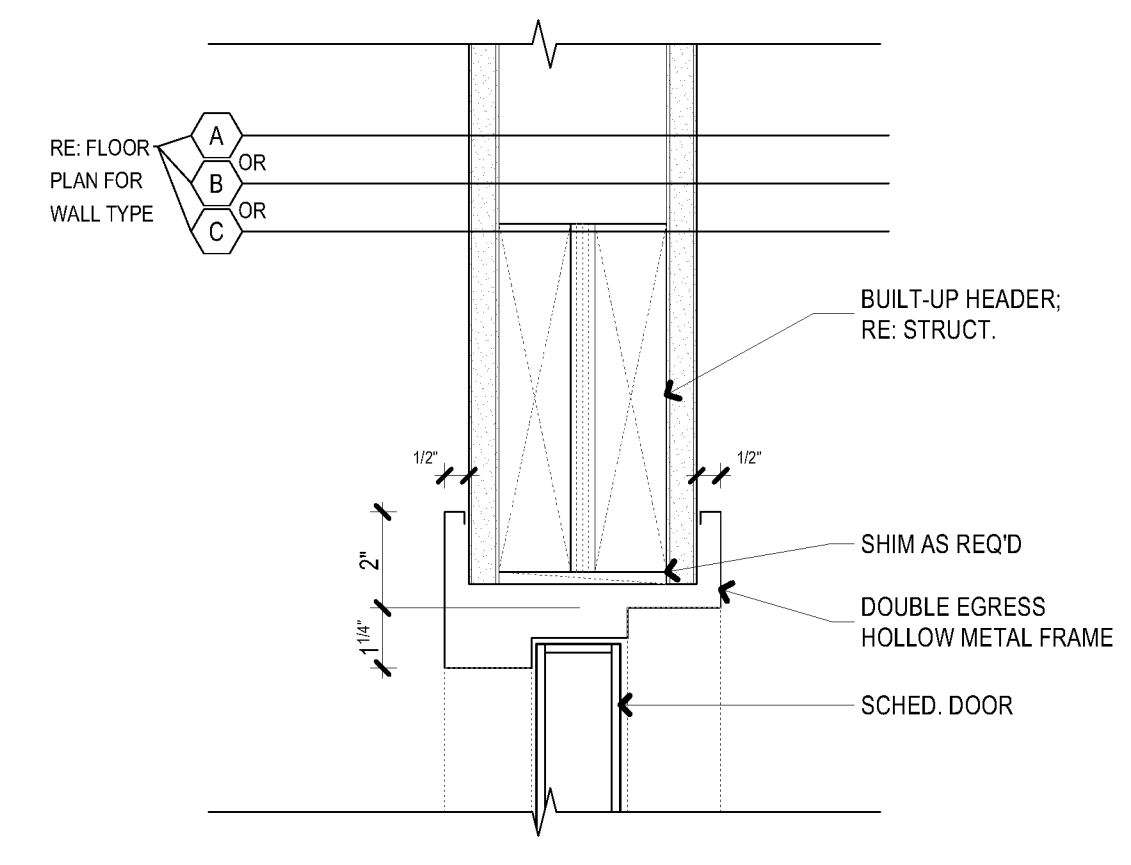
E2 INT WINDOW HEAD DETAIL (MC)
SCALE: 3" = 1'-0"



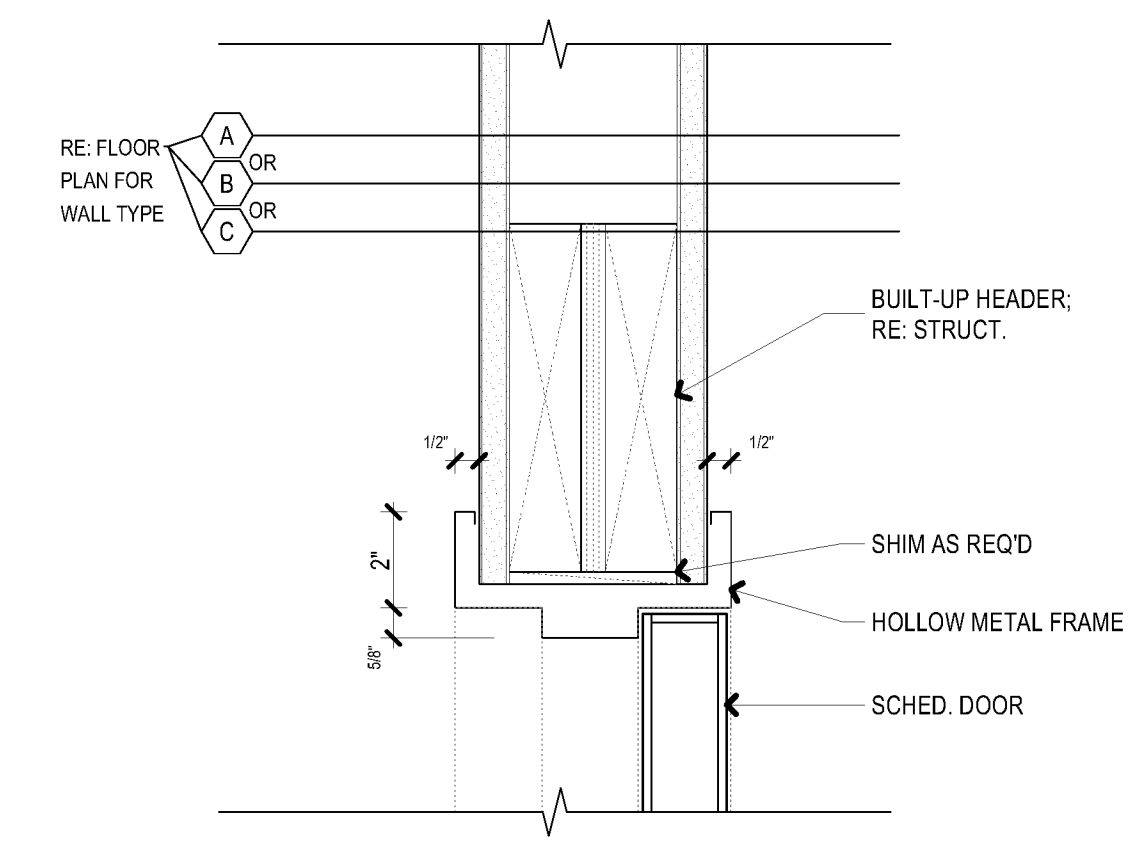
E3 KD HEAD (MC)
SCALE: 3" = 1'-0"



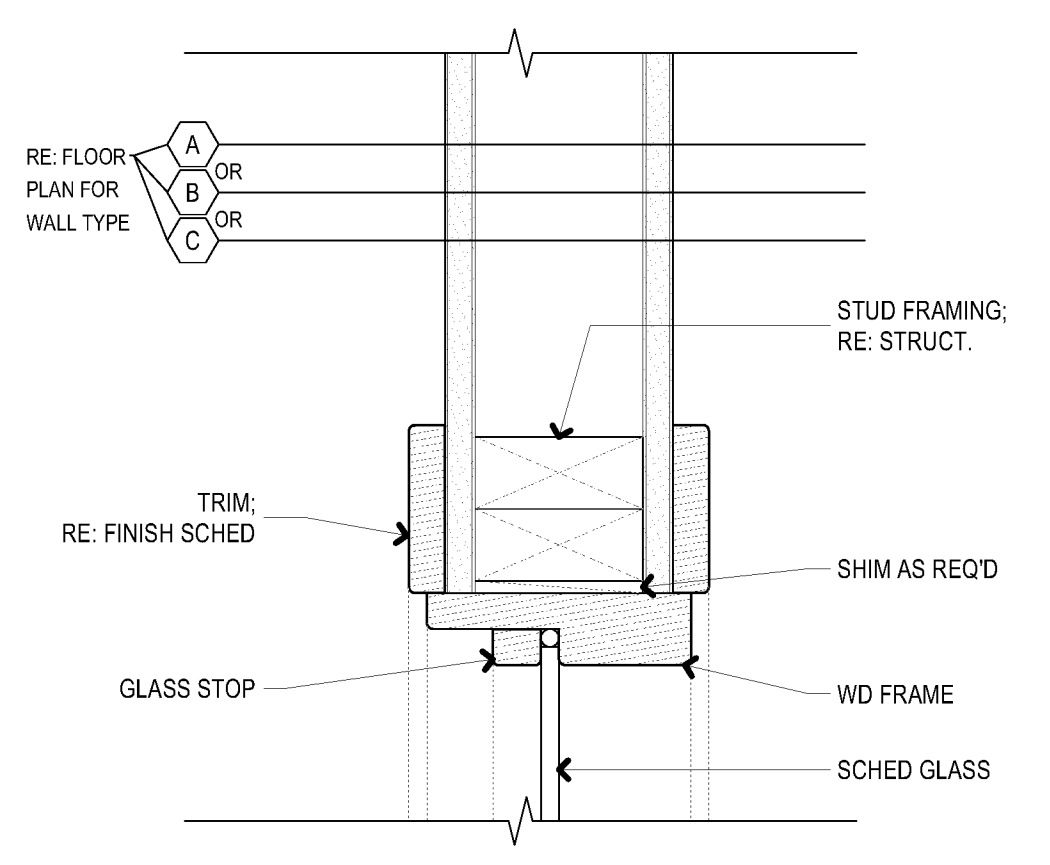
E4 HM HEAD (MC) (DOUBLE EGRESS)
SCALE: 3" = 1'-0"



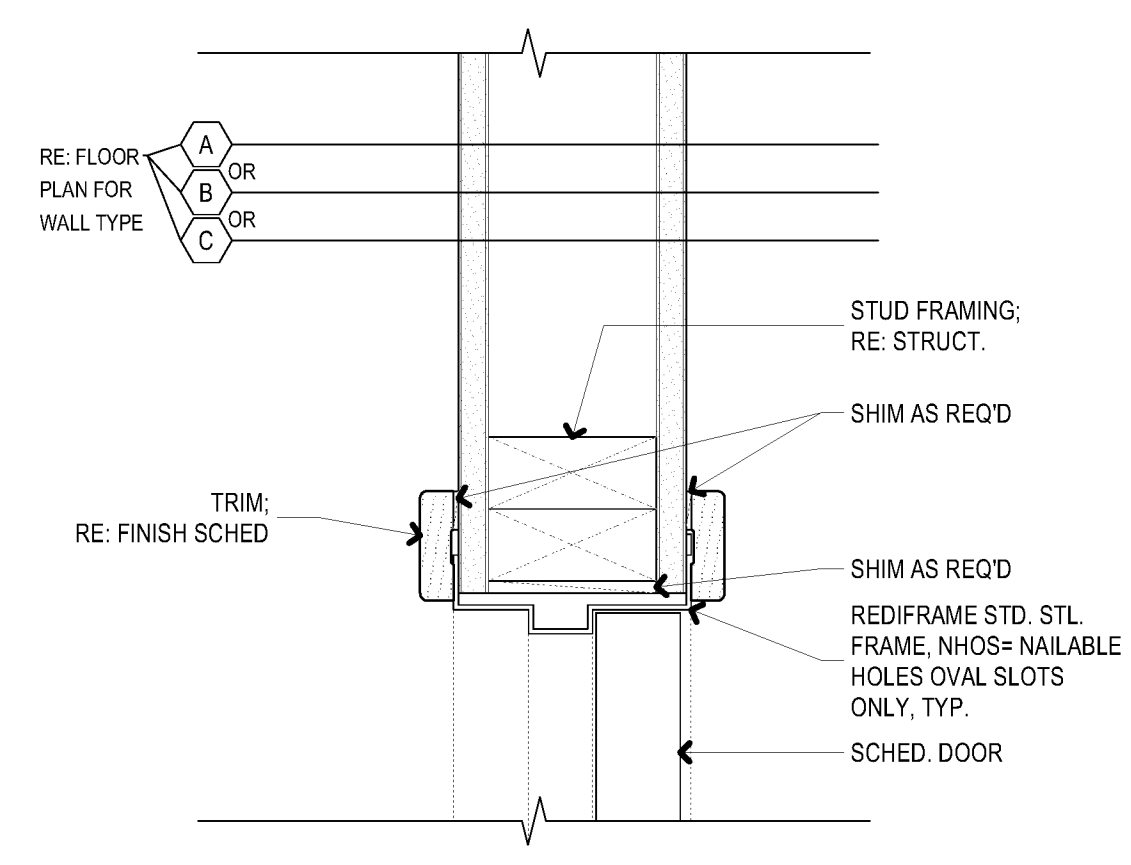
E5 HM HEAD (MC)
SCALE: 3" = 1'-0"



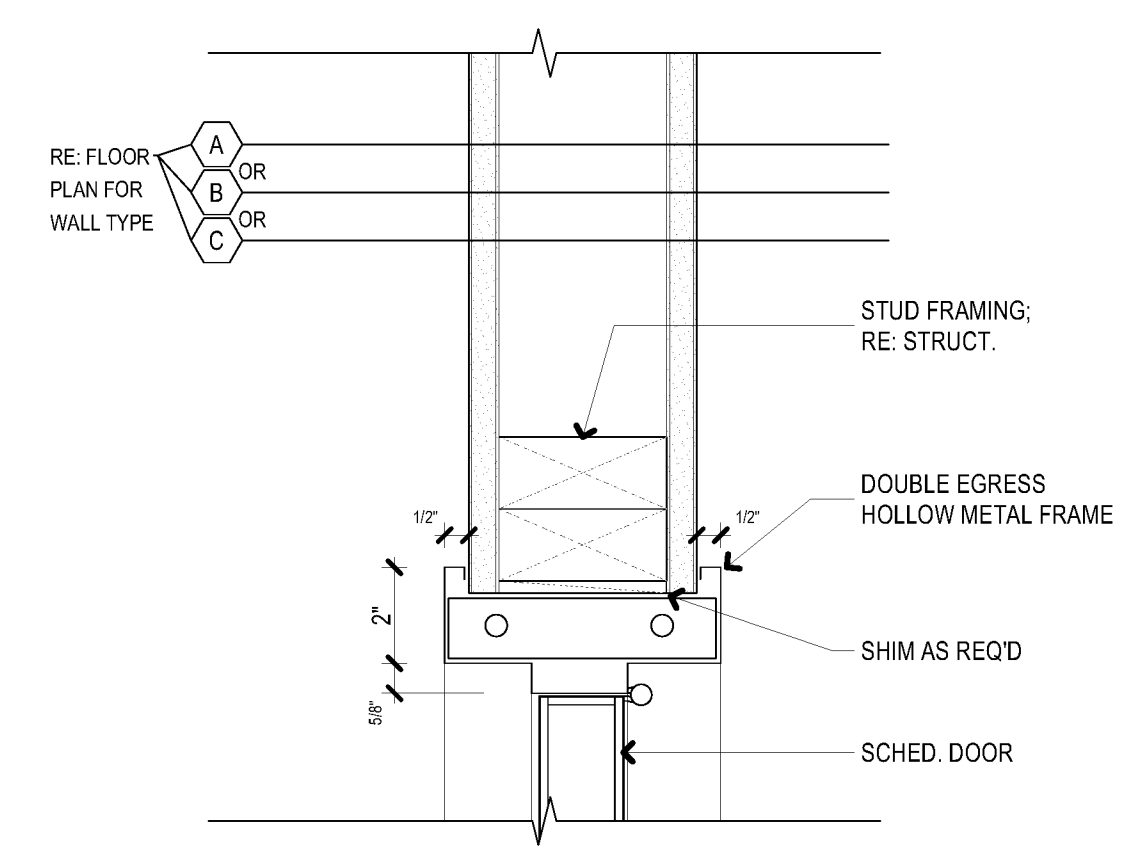
D2 INT WINDOW JAMB/SILL DETAIL (MC)
SCALE: 3" = 1'-0"



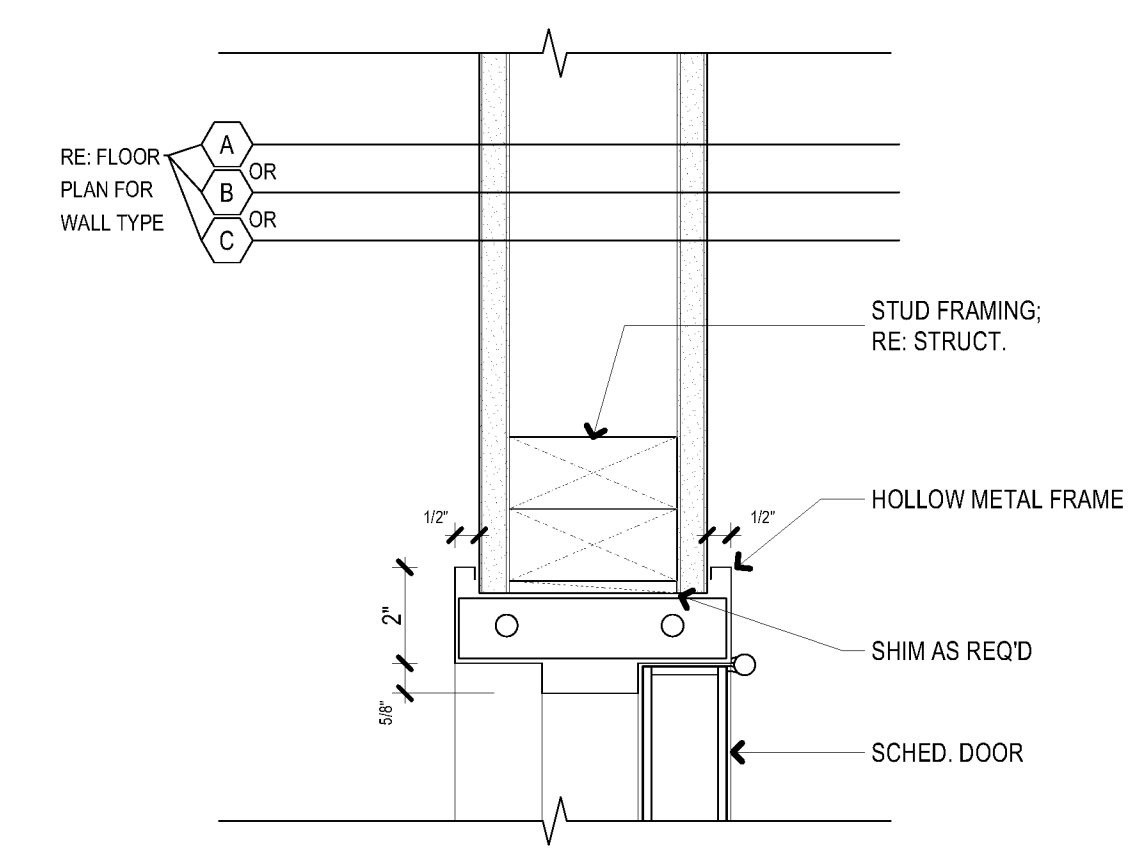
D3 KD JAMB (MC)
SCALE: 3" = 1'-0"



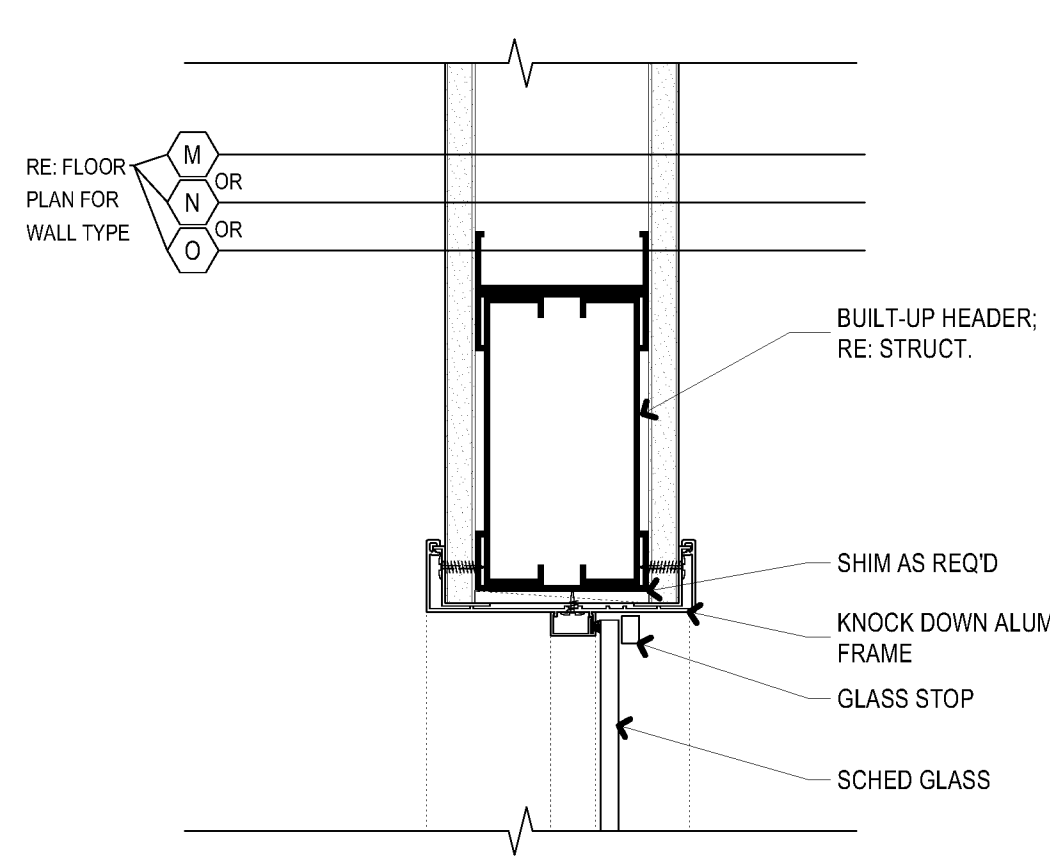
D4 HM JAMB (MC) (DOUBLE EGRESS)
SCALE: 3" = 1'-0"



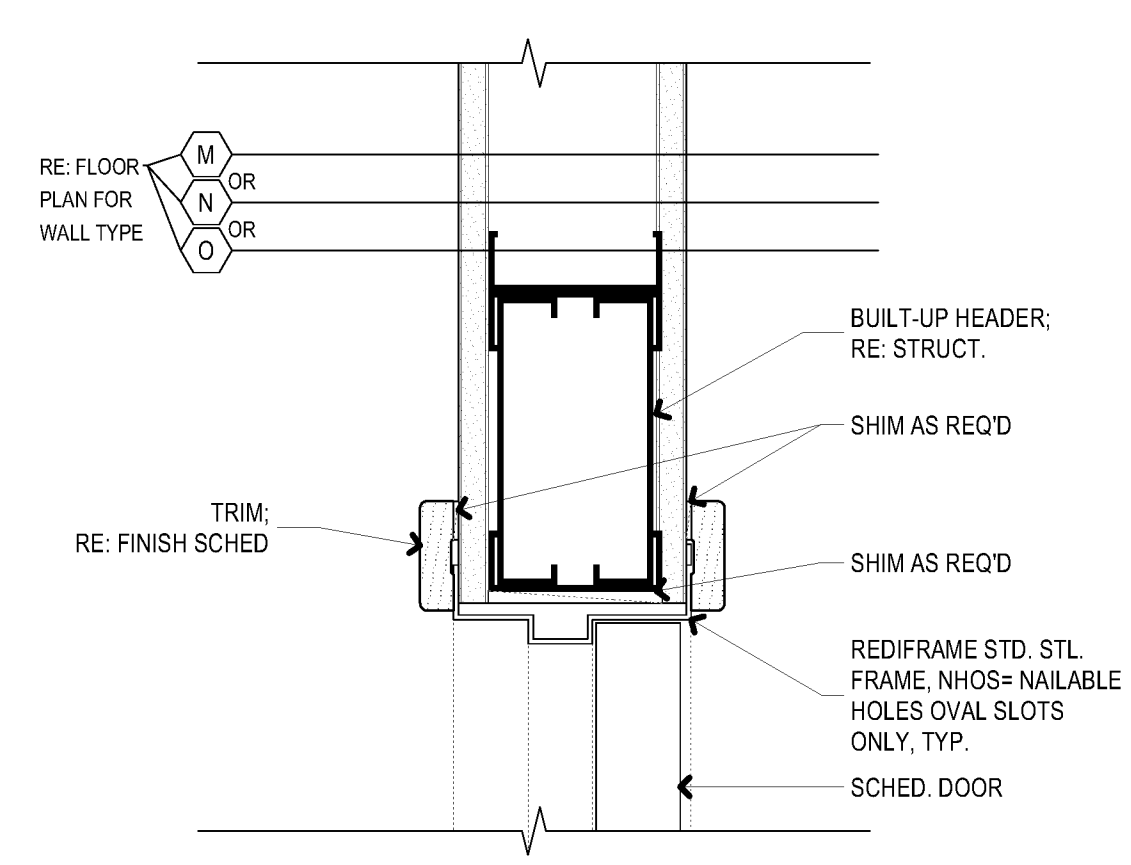
D5 HM JAMB (MC)
SCALE: 3" = 1'-0"



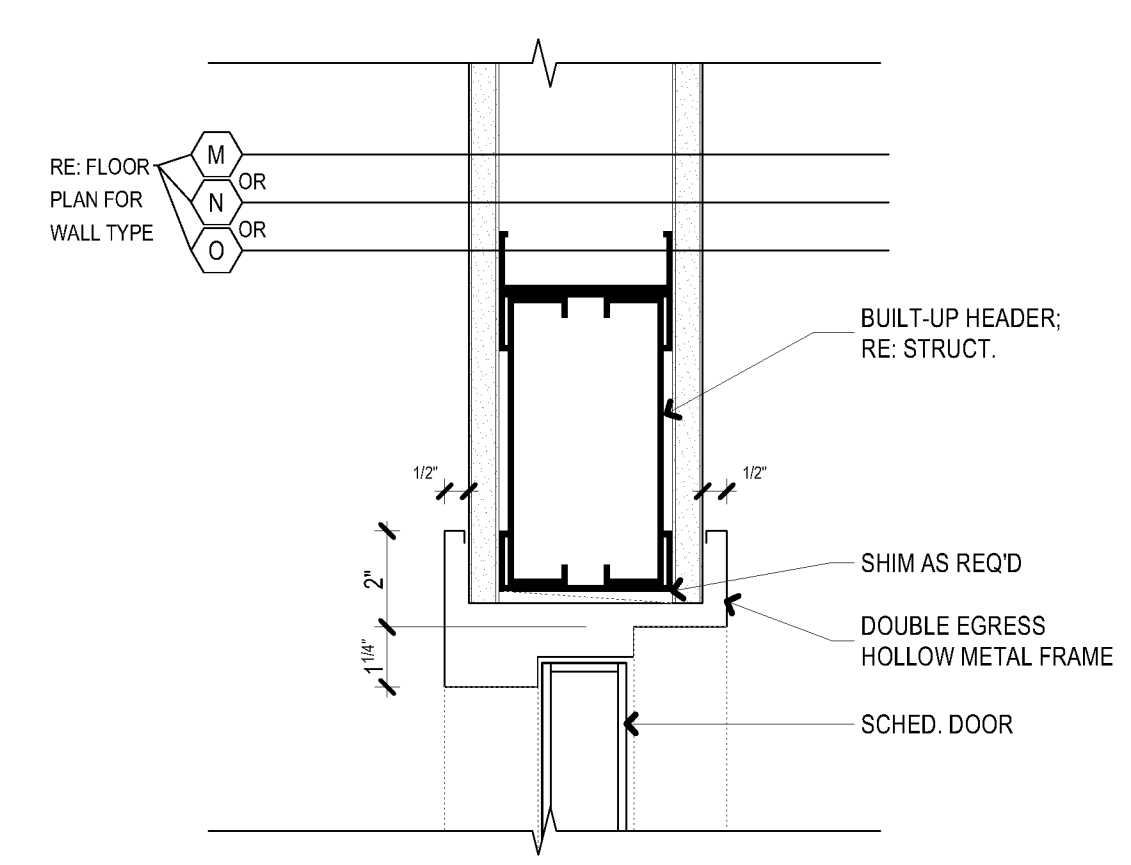
C2 INT WINDOW HEAD DETAIL (AL)
SCALE: 3" = 1'-0"



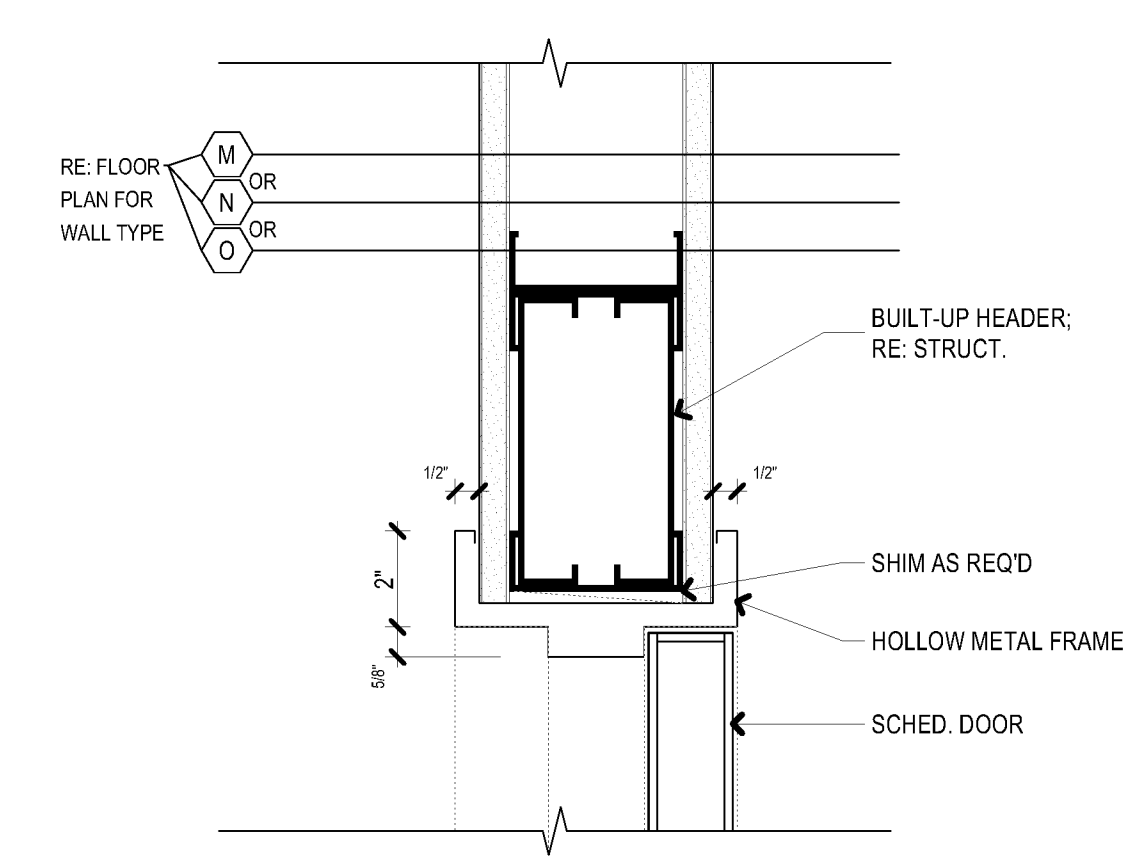
C3 KD HEAD (AL)
SCALE: 3" = 1'-0"



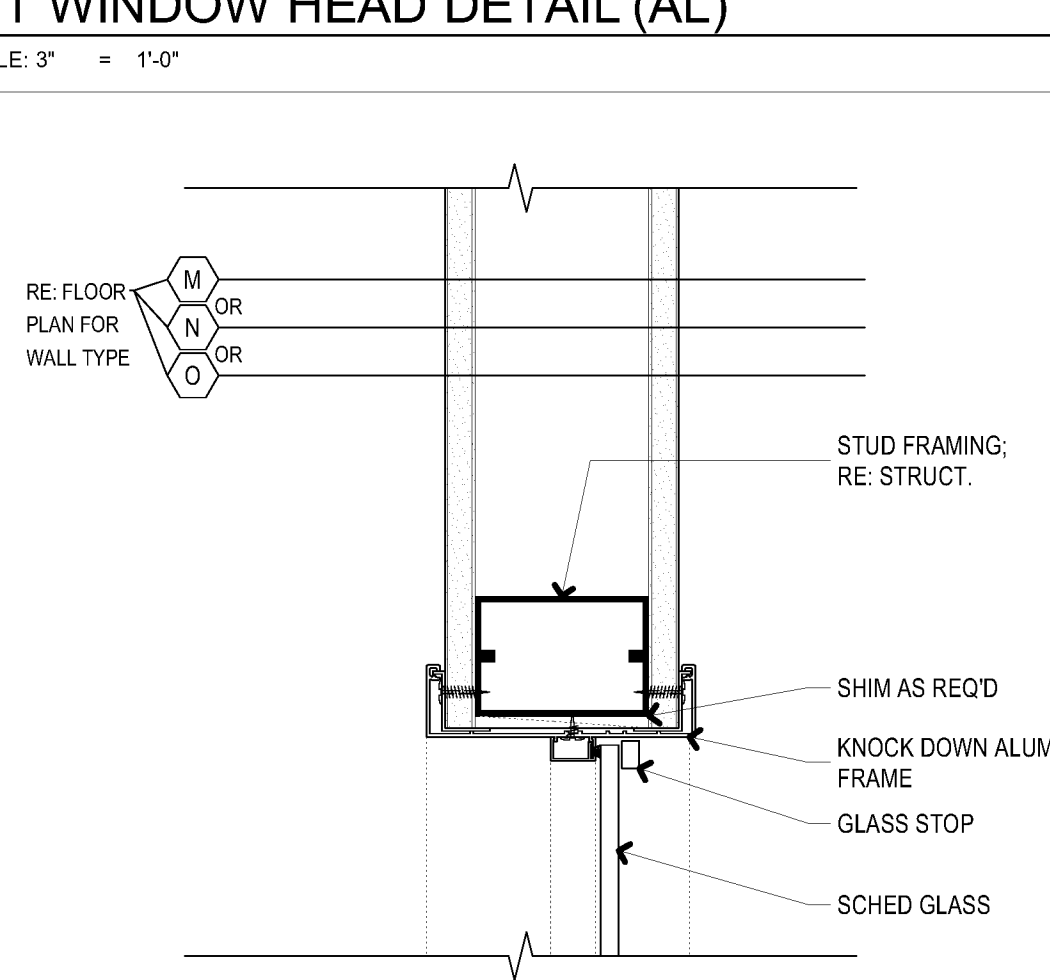
C4 HM HEAD (AL) (DOUBLE EGRESS)
SCALE: 3" = 1'-0"



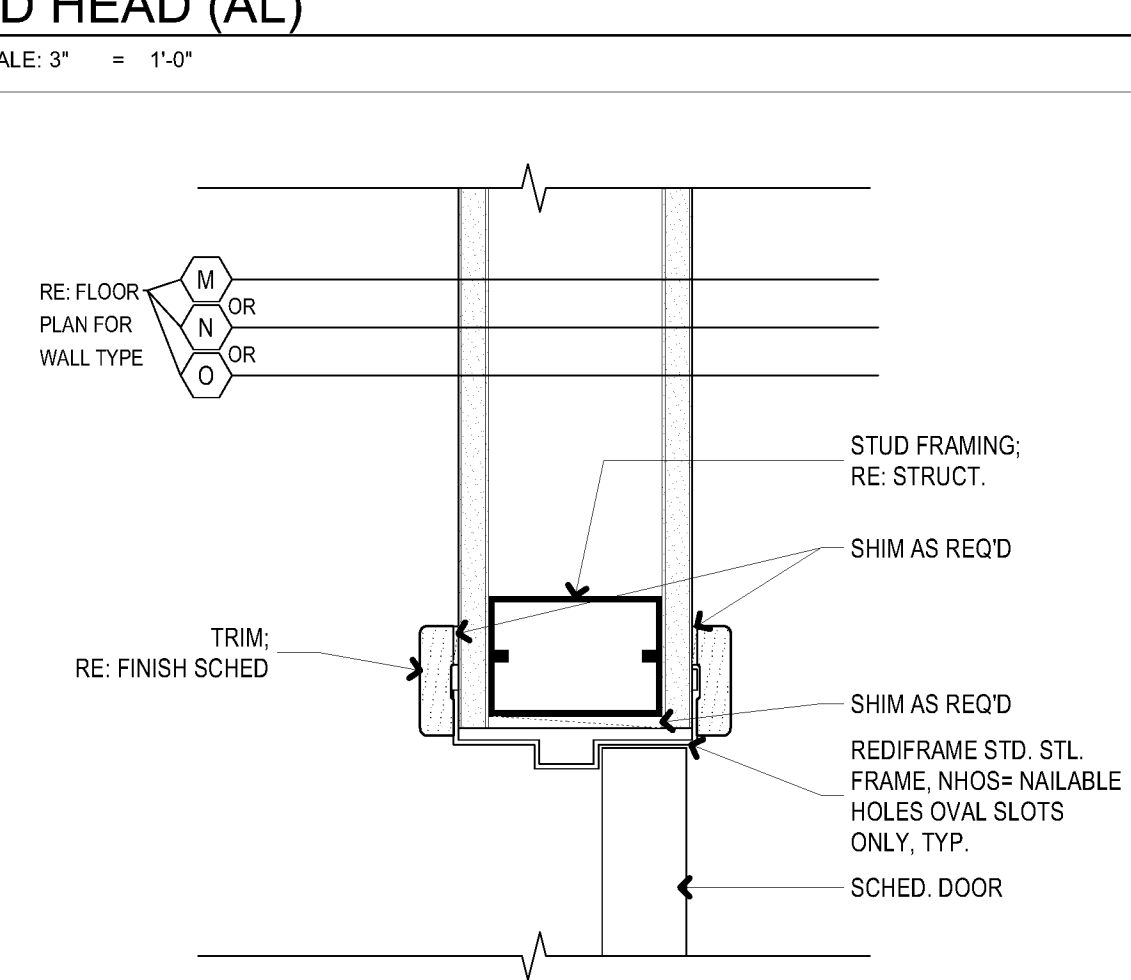
C5 HM HEAD (AL)
SCALE: 3" = 1'-0"



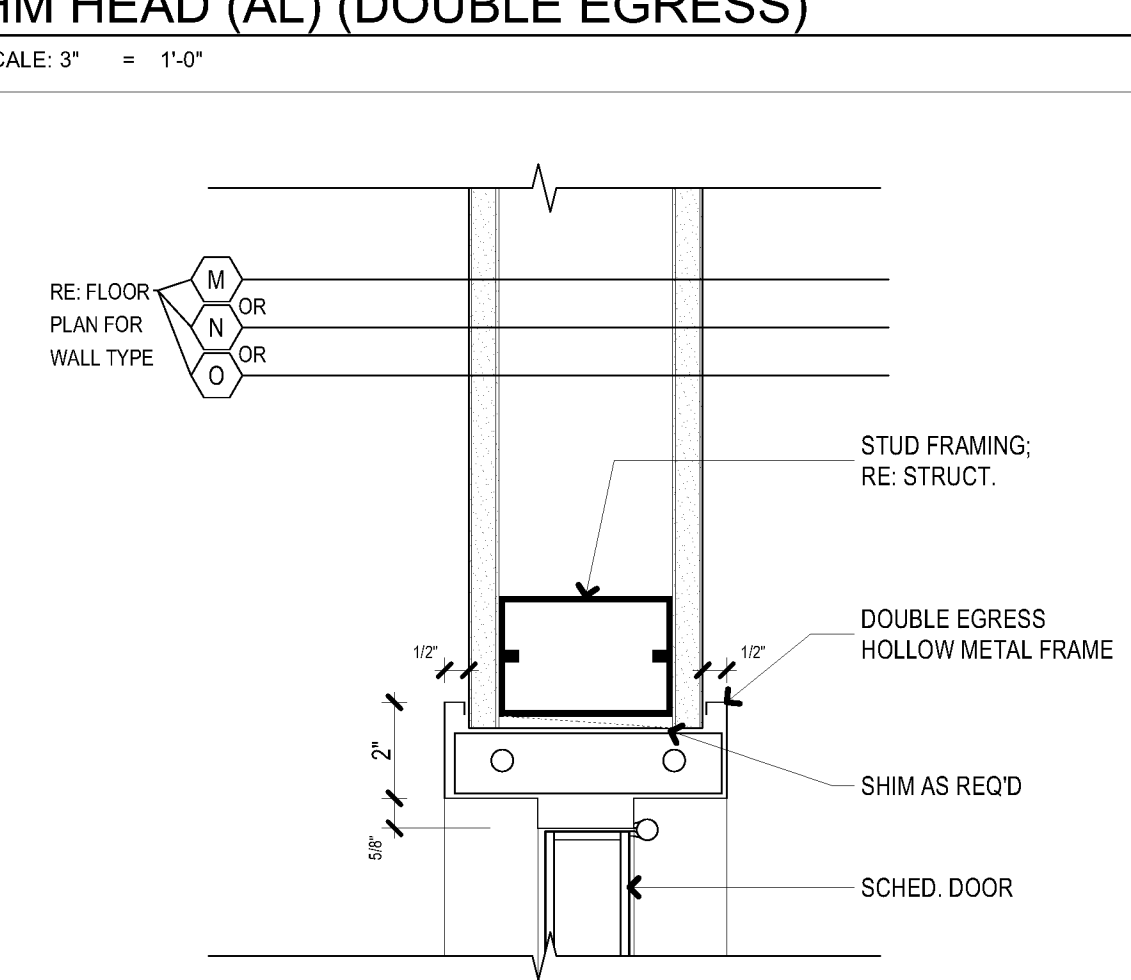
B2 INT WINDOW JAMB/SILL DETAIL (AL)
SCALE: 3" = 1'-0"



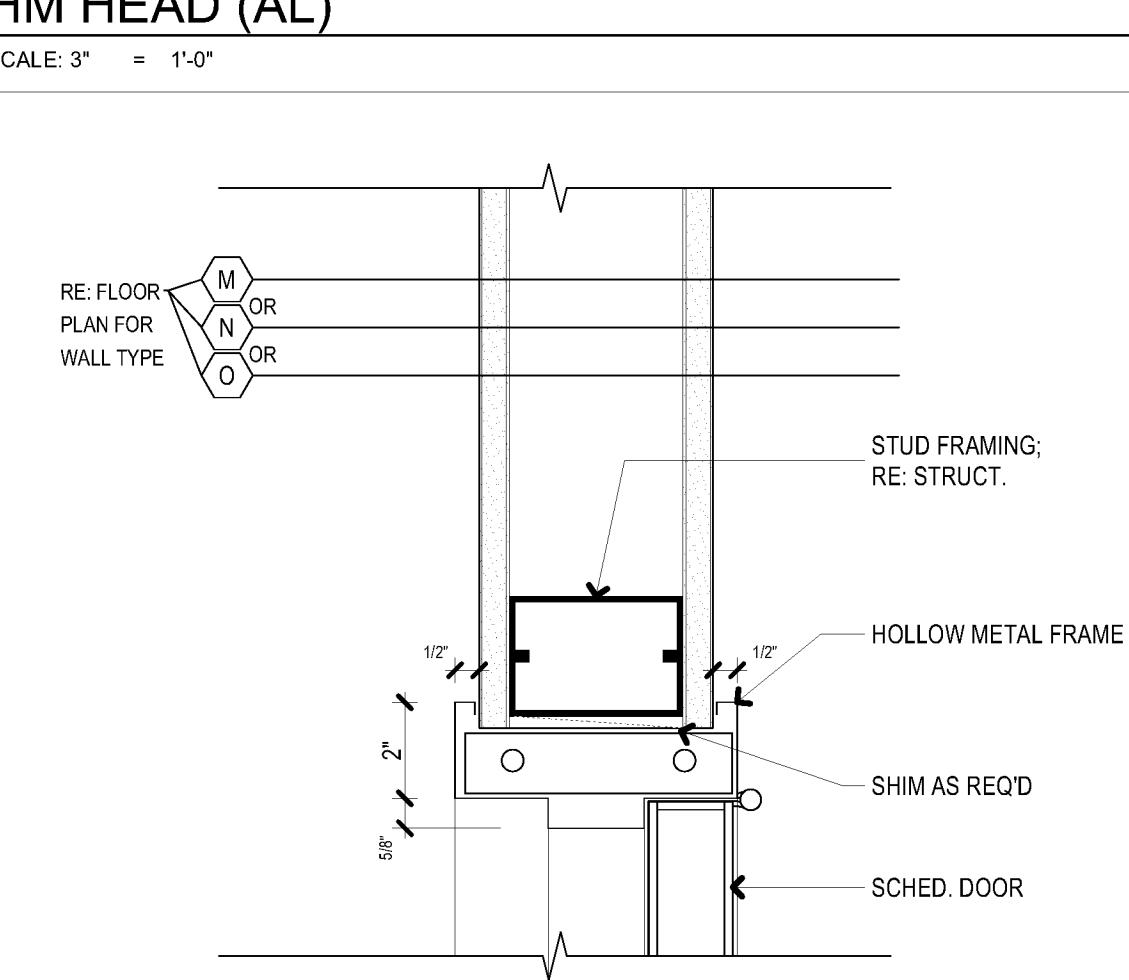
B3 KD JAMB (AL)
SCALE: 3" = 1'-0"



B4 HM JAMB (AL) (DOUBLE EGRESS)
SCALE: 3" = 1'-0"



B5 HM JAMB (AL)
SCALE: 3" = 1'-0"



DOOR & WINDOW DTL GENERAL NOTES

1. RETURN MASONRY AT ALL WINDOWS AND DOORS.
2. (X) RE: GA SHEETS FOR WALL, FLOOR AND ROOF ASSEMBLIES