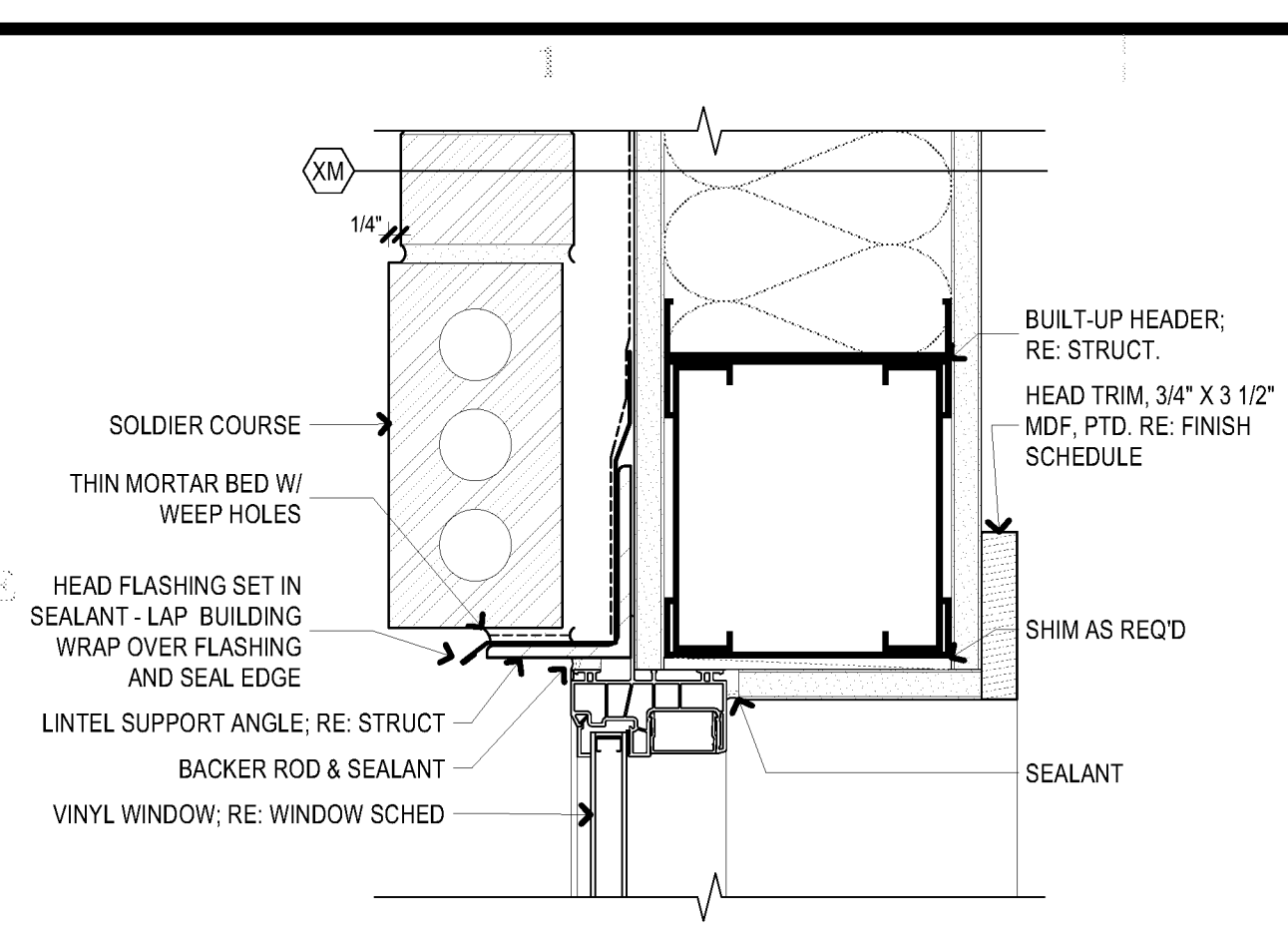
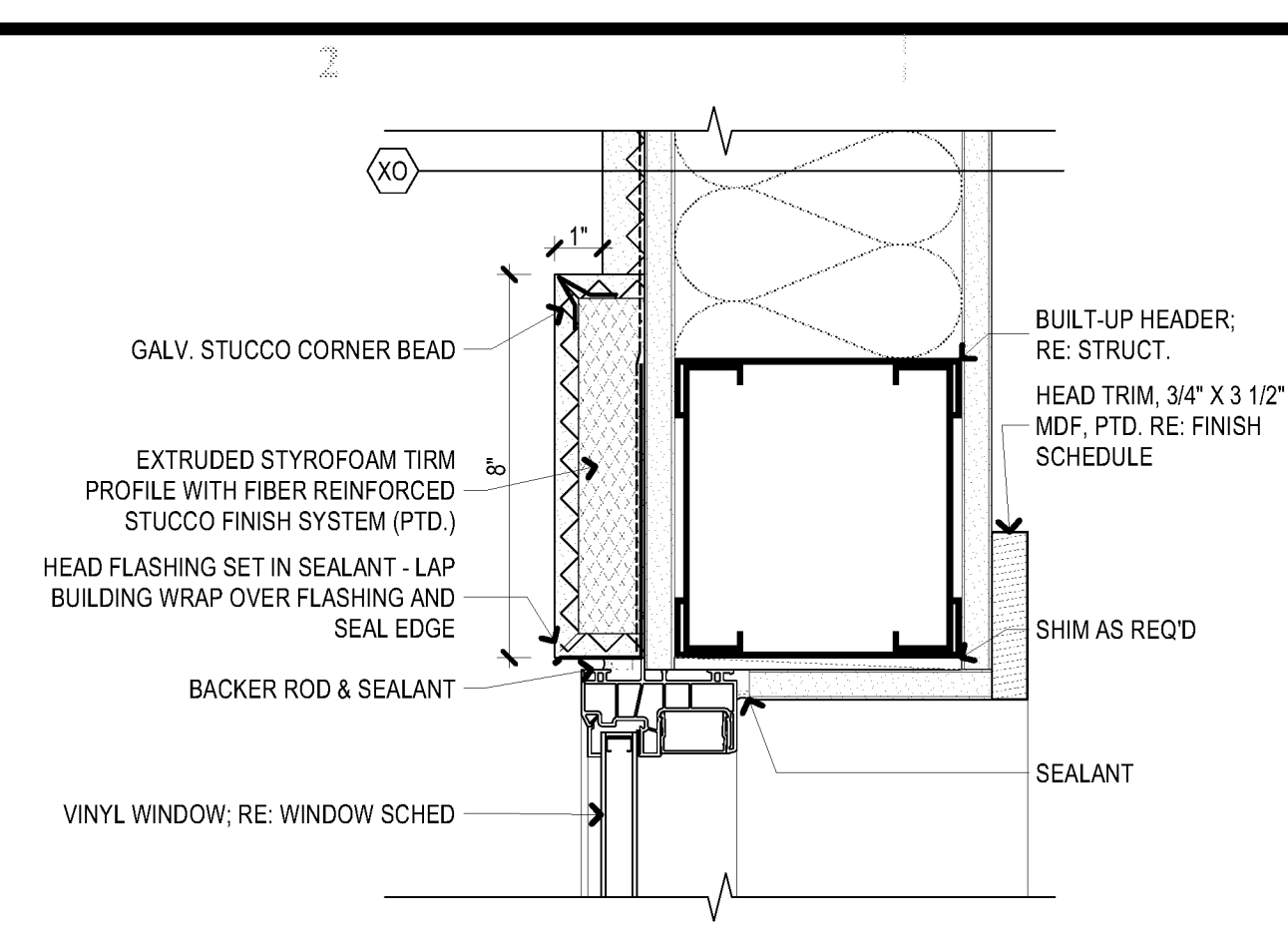


**DOOR & WINDOW DTL GENERAL NOTES**

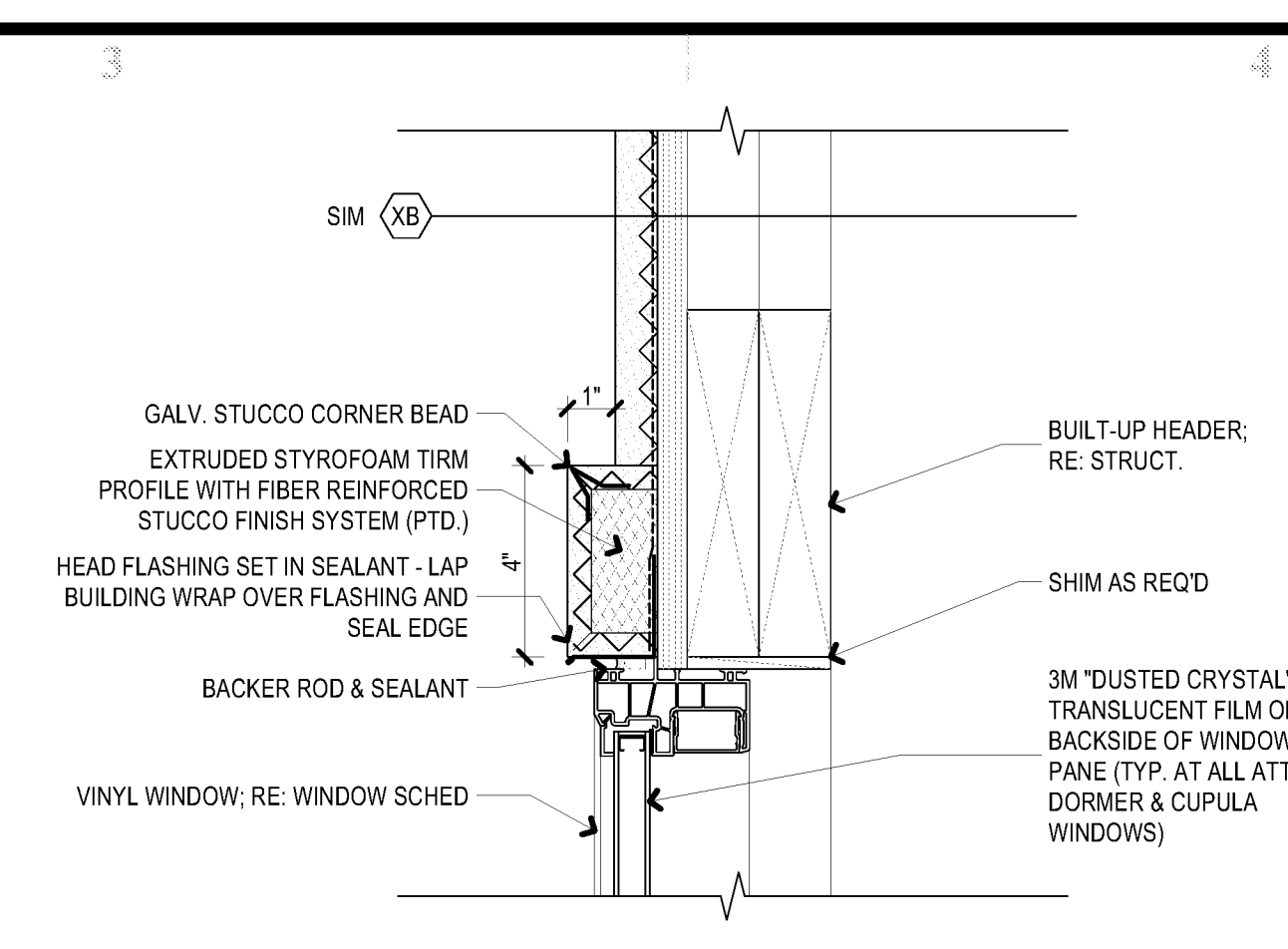
1. RETURN MASONRY AT ALL WINDOWS AND DOORS.
2. (X) 1/2" REINFORCING SHEETS FOR WALL, FLOOR AND ROOF ASSEMBLIES



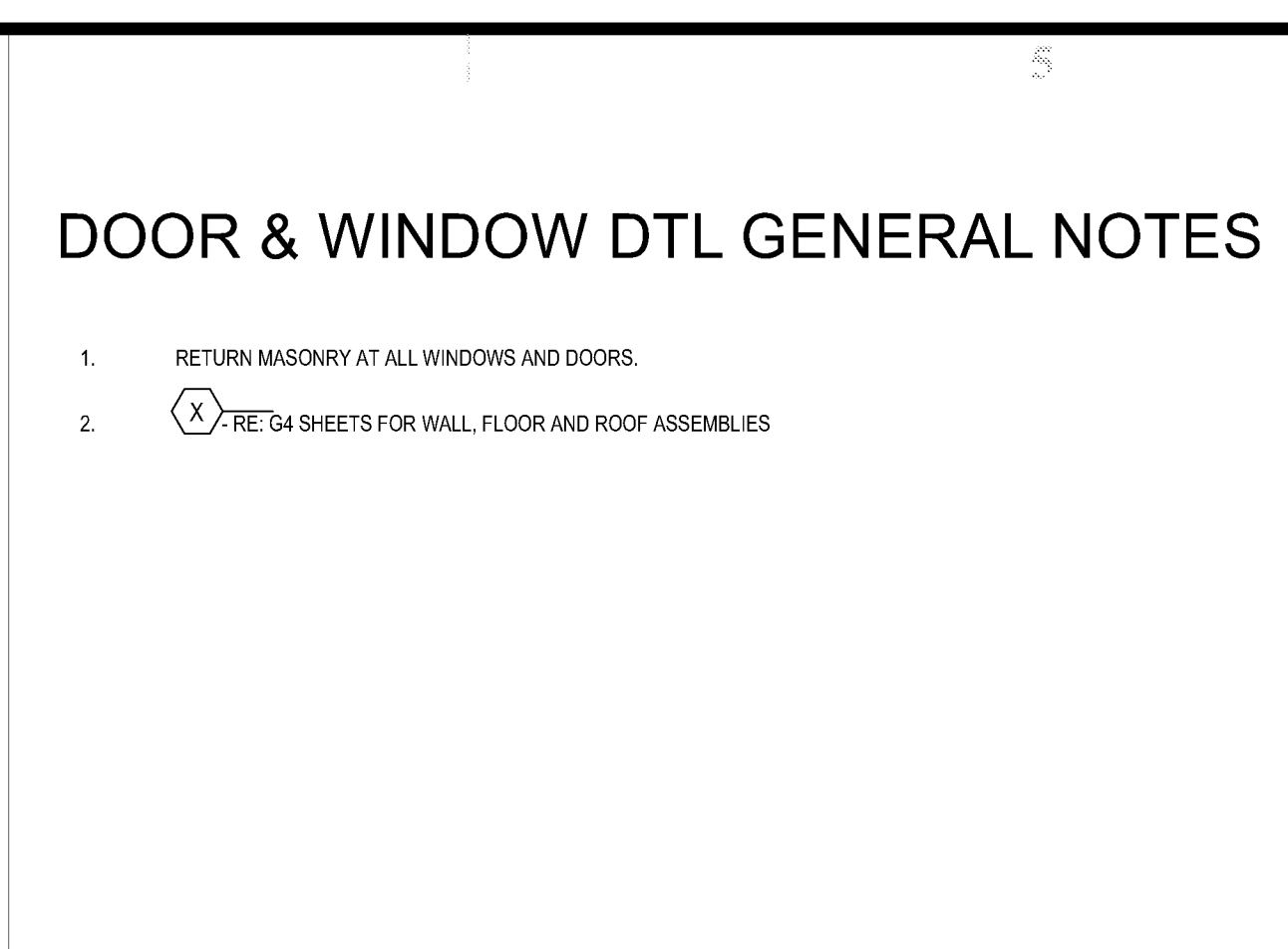
**E1 WINDOW HEAD DETAIL (AL @ BRICK)**  
SCALE: 3" = 1'-0"



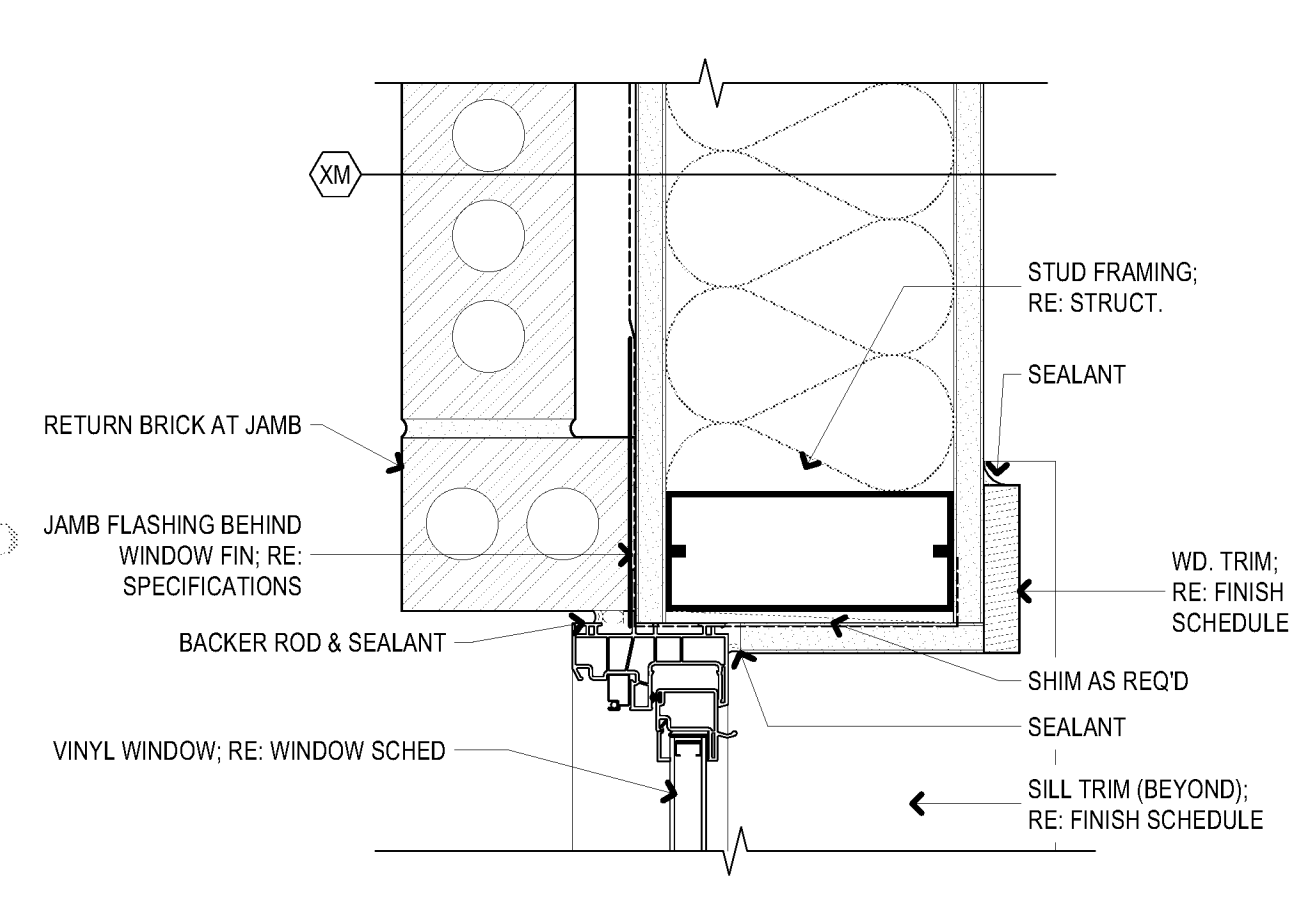
**E2 WINDOW HEAD DETAIL (AL @ STUCCO)**  
SCALE: 3" = 1'-0"



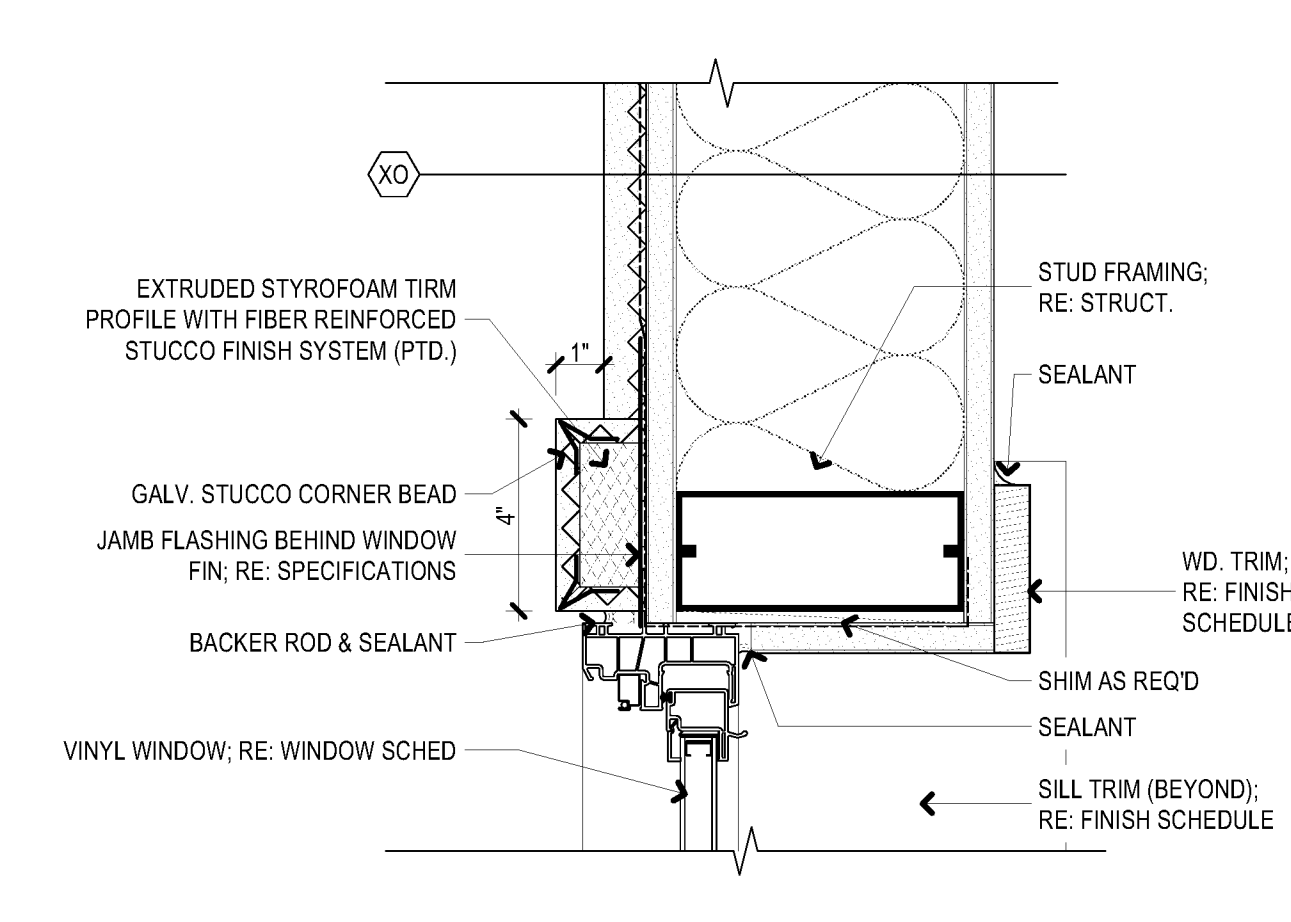
**E3 WINDOW HEAD DETAIL (MC @ ATTIC)**  
SCALE: 3" = 1'-0"



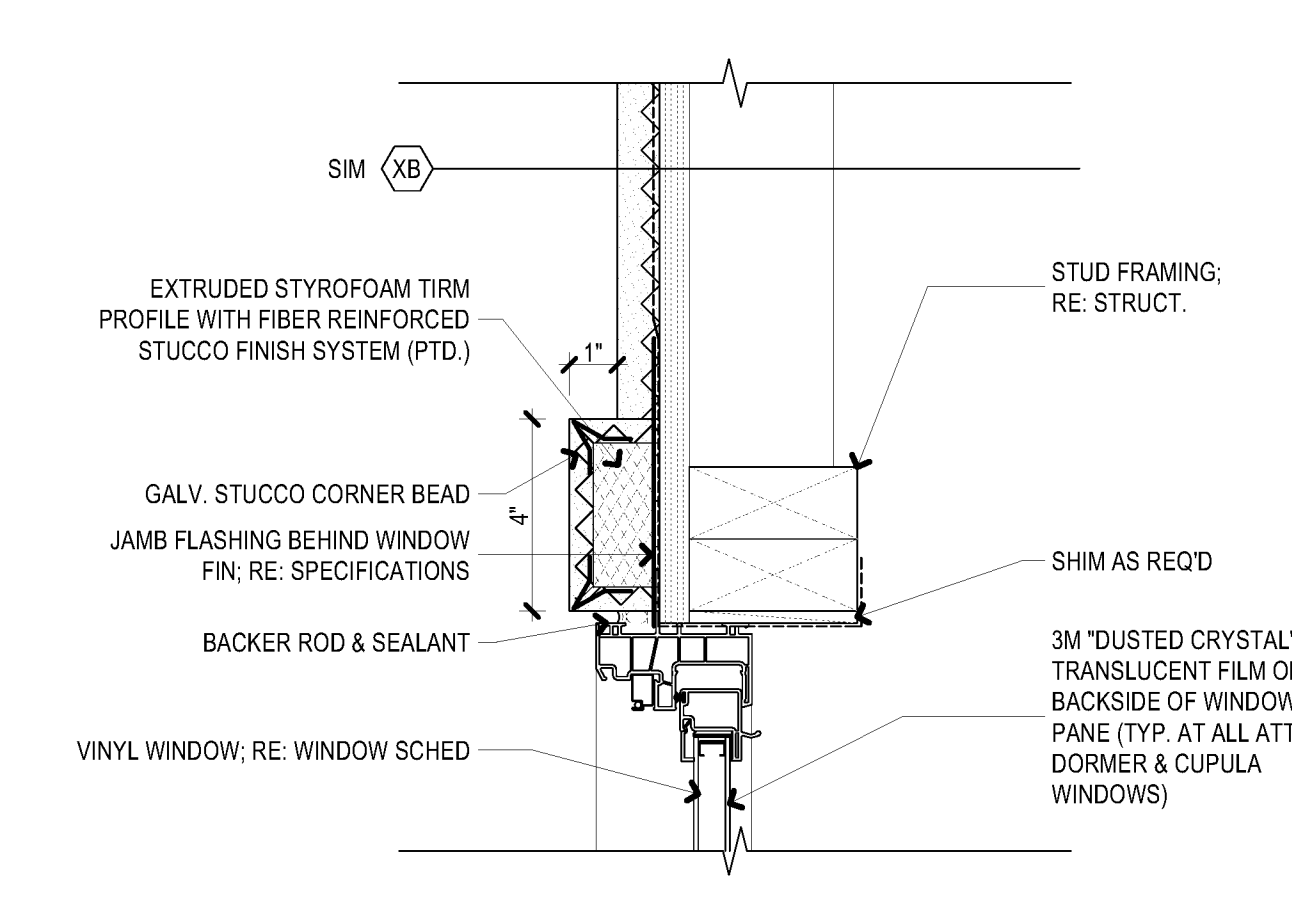
**E5 WINDOW HEAD DETAIL (MC @ STUCCO)**  
SCALE: 3" = 1'-0"



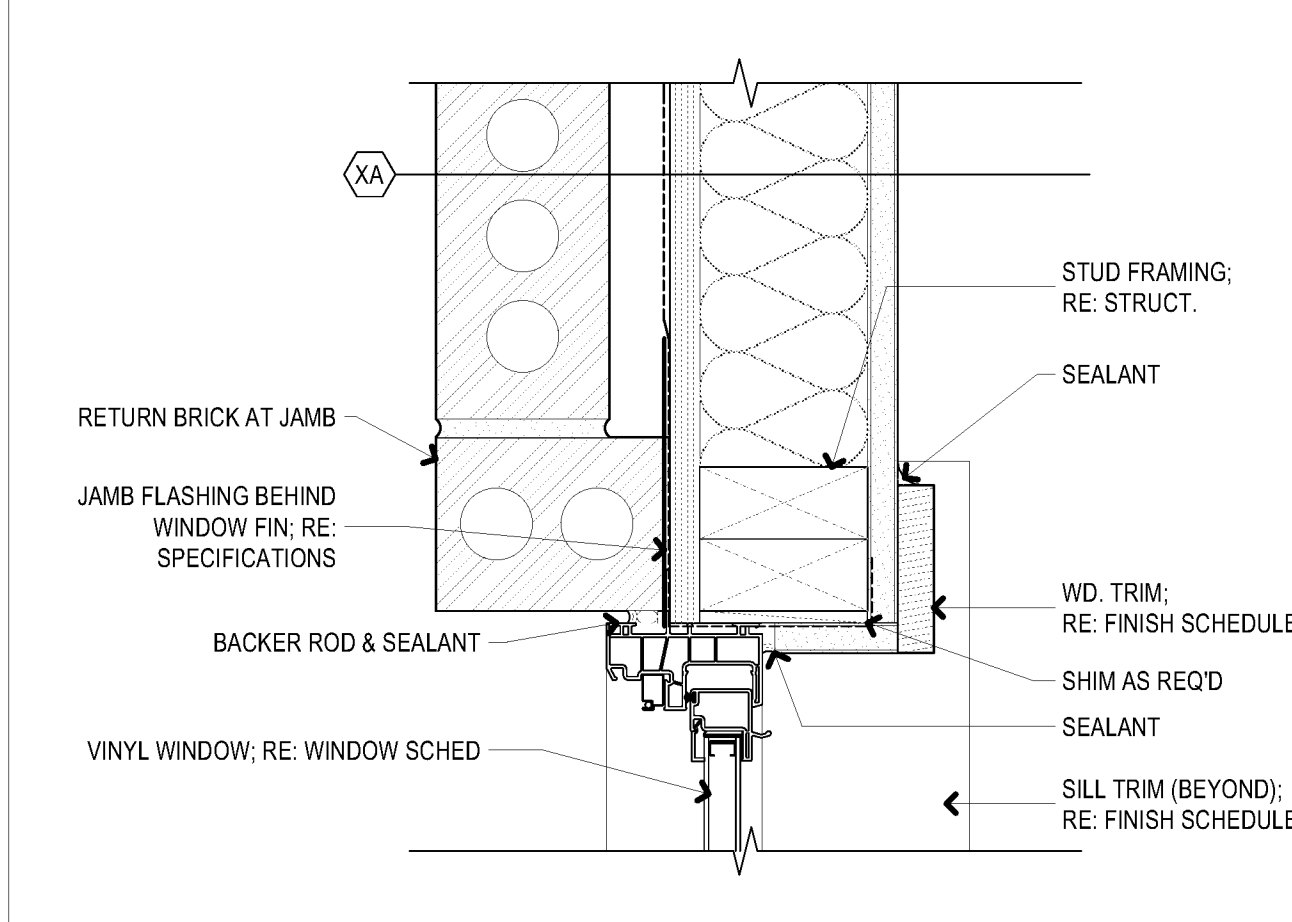
**D1 WINDOW JAMB DETAIL (AL @ BRICK)**  
SCALE: 3" = 1'-0"



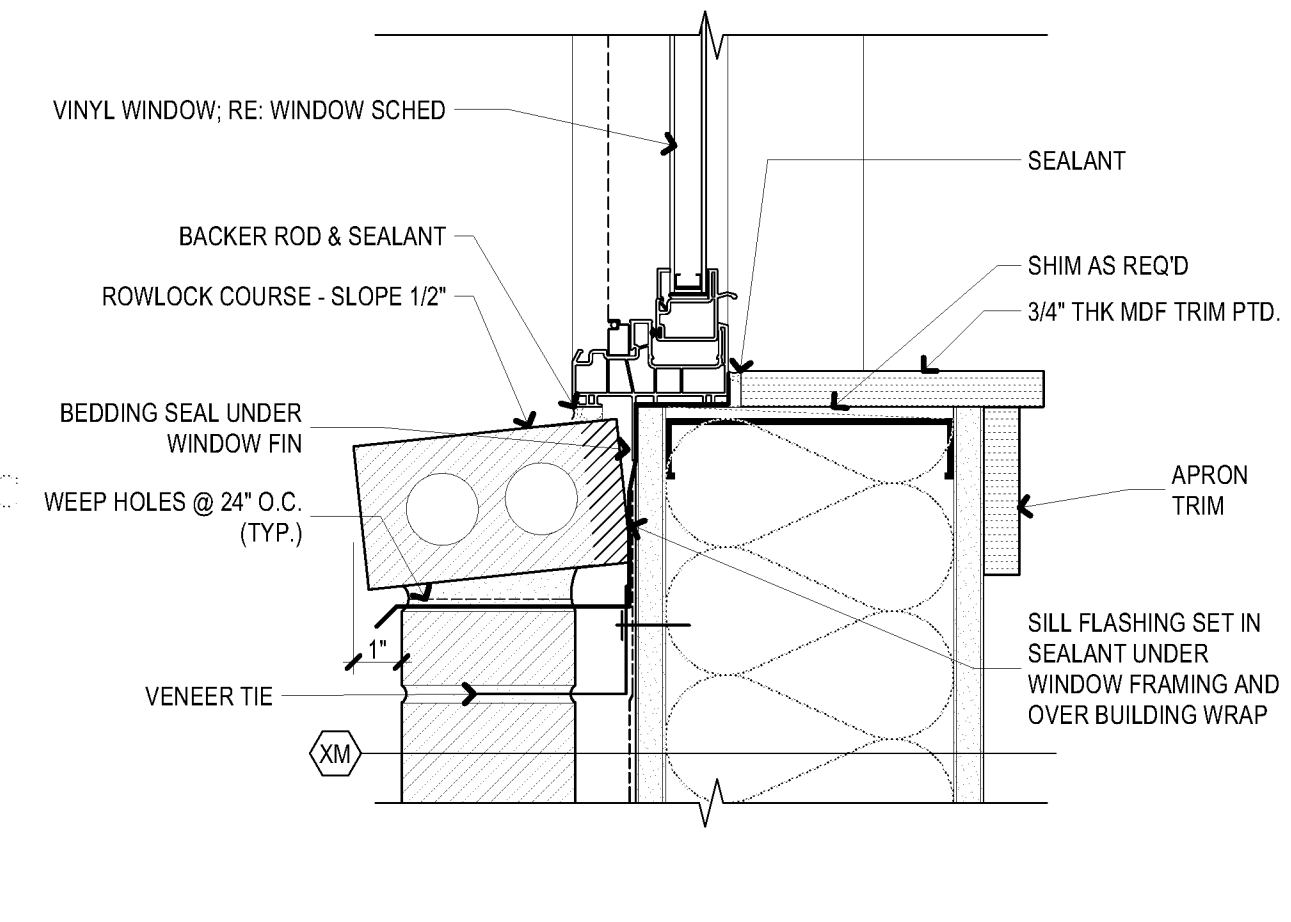
**D2 WINDOW JAMB DETAIL (AL @ STUCCO)**  
SCALE: 3" = 1'-0"



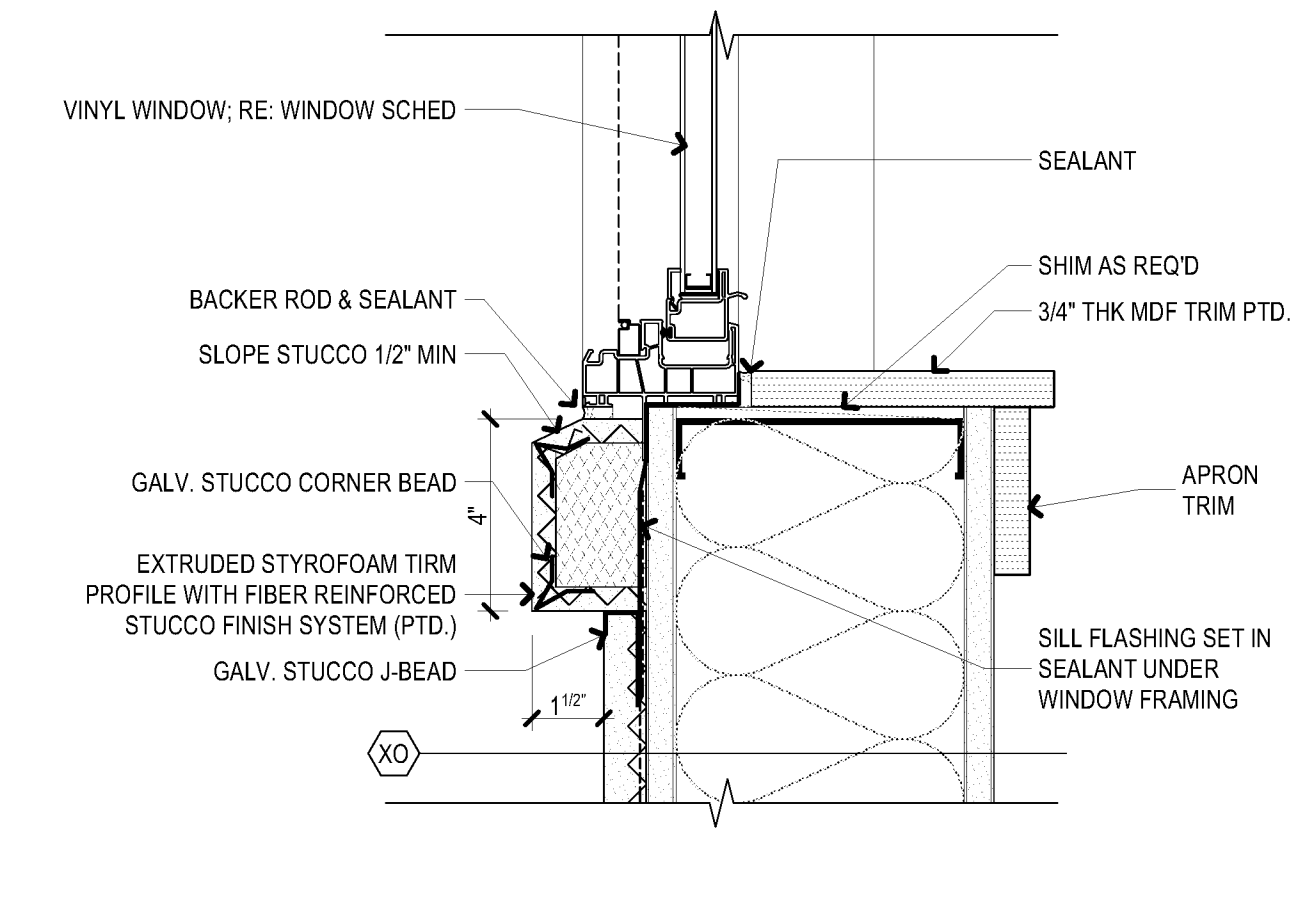
**D3 WINDOW JAMB DETAIL (MC @ ATTIC)**  
SCALE: 3" = 1'-0"



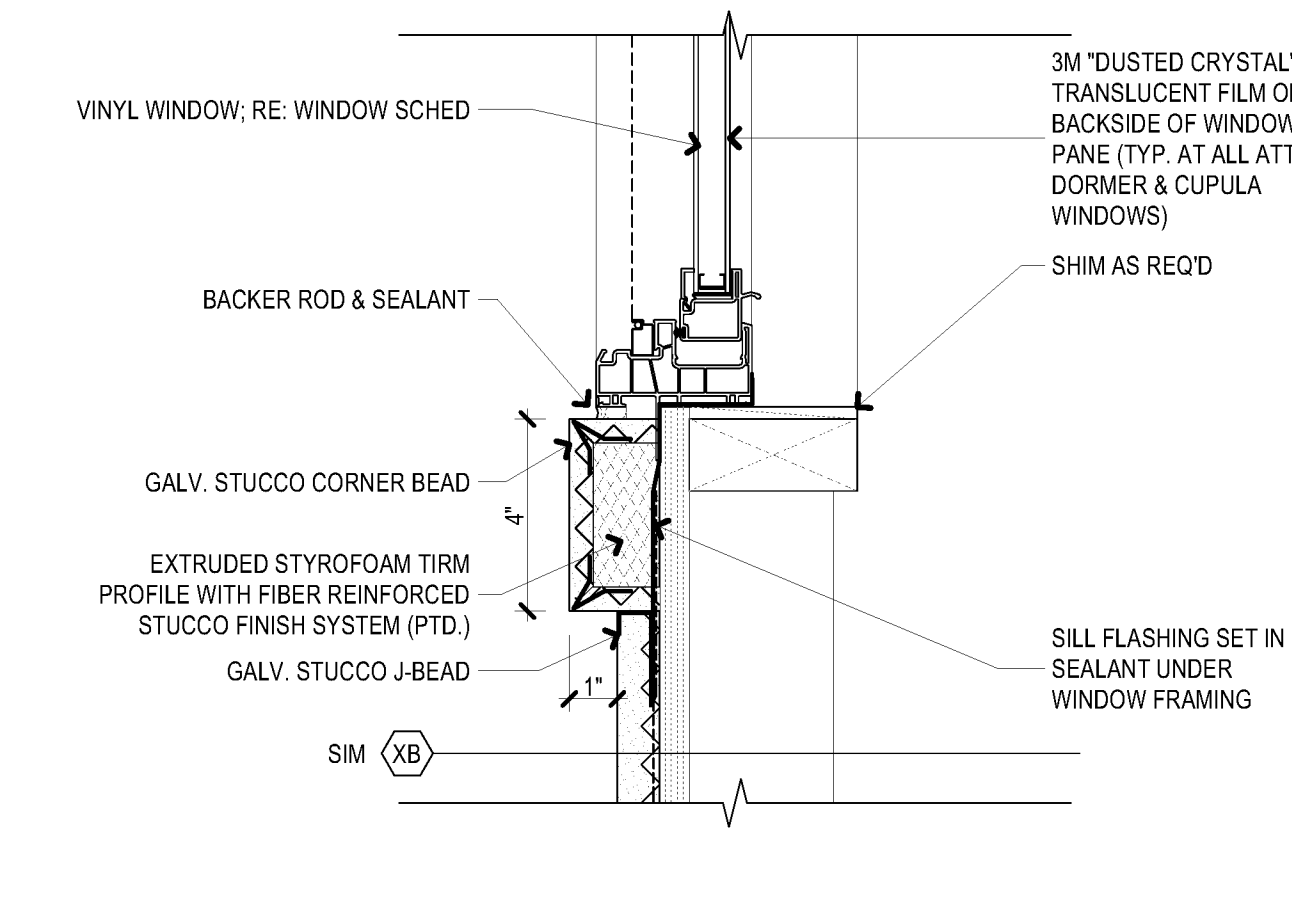
**D4 WINDOW JAMB DETAIL (MC @ BRICK)**  
SCALE: 3" = 1'-0"



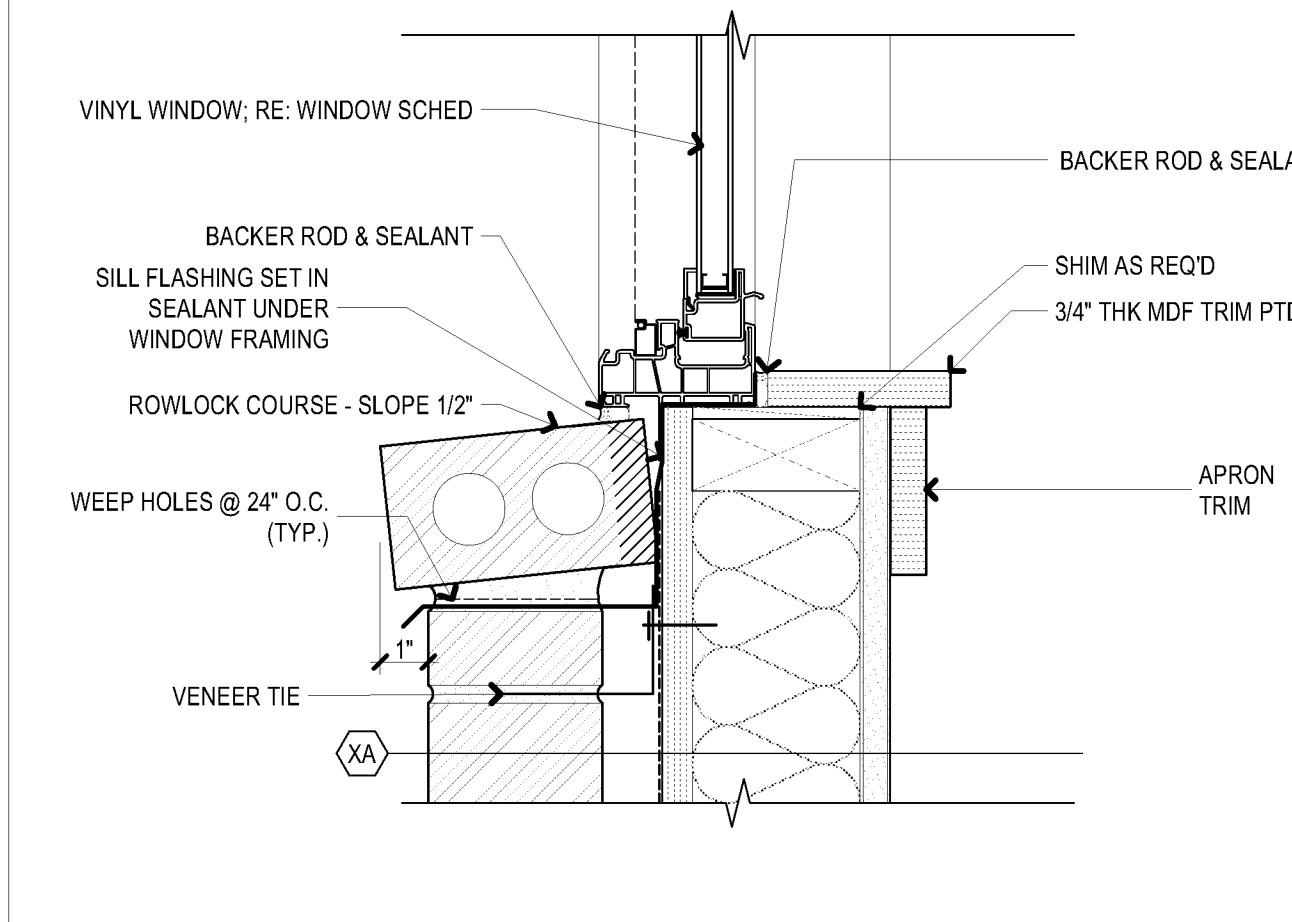
**C1 WINDOW SILL DETAIL (AL @ BRICK)**  
SCALE: 3" = 1'-0"



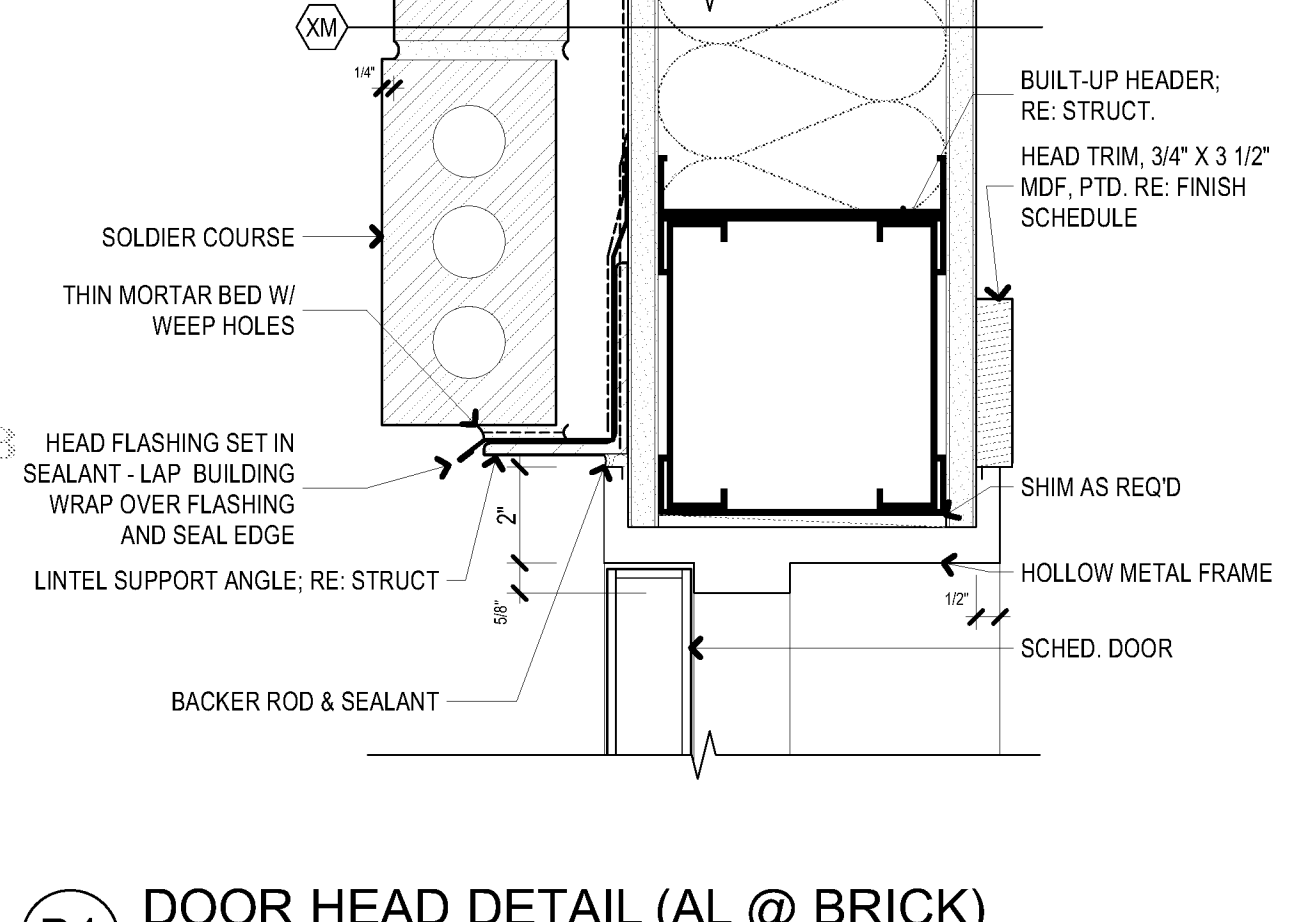
**C2 WINDOW SILL DETAIL (AL @ STUCCO)**  
SCALE: 3" = 1'-0"



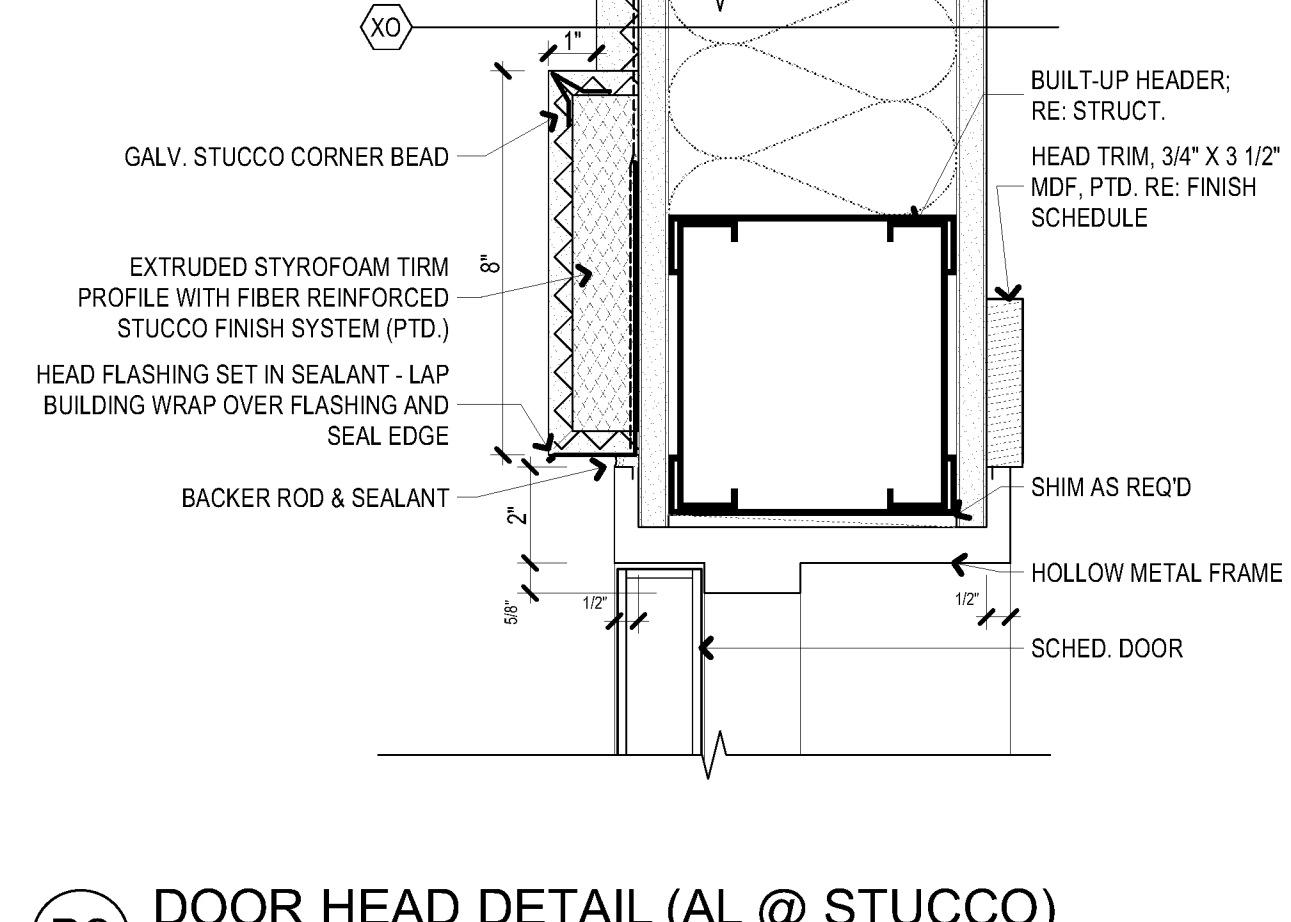
**C3 WINDOW SILL DETAIL (MC @ ATTIC)**  
SCALE: 3" = 1'-0"



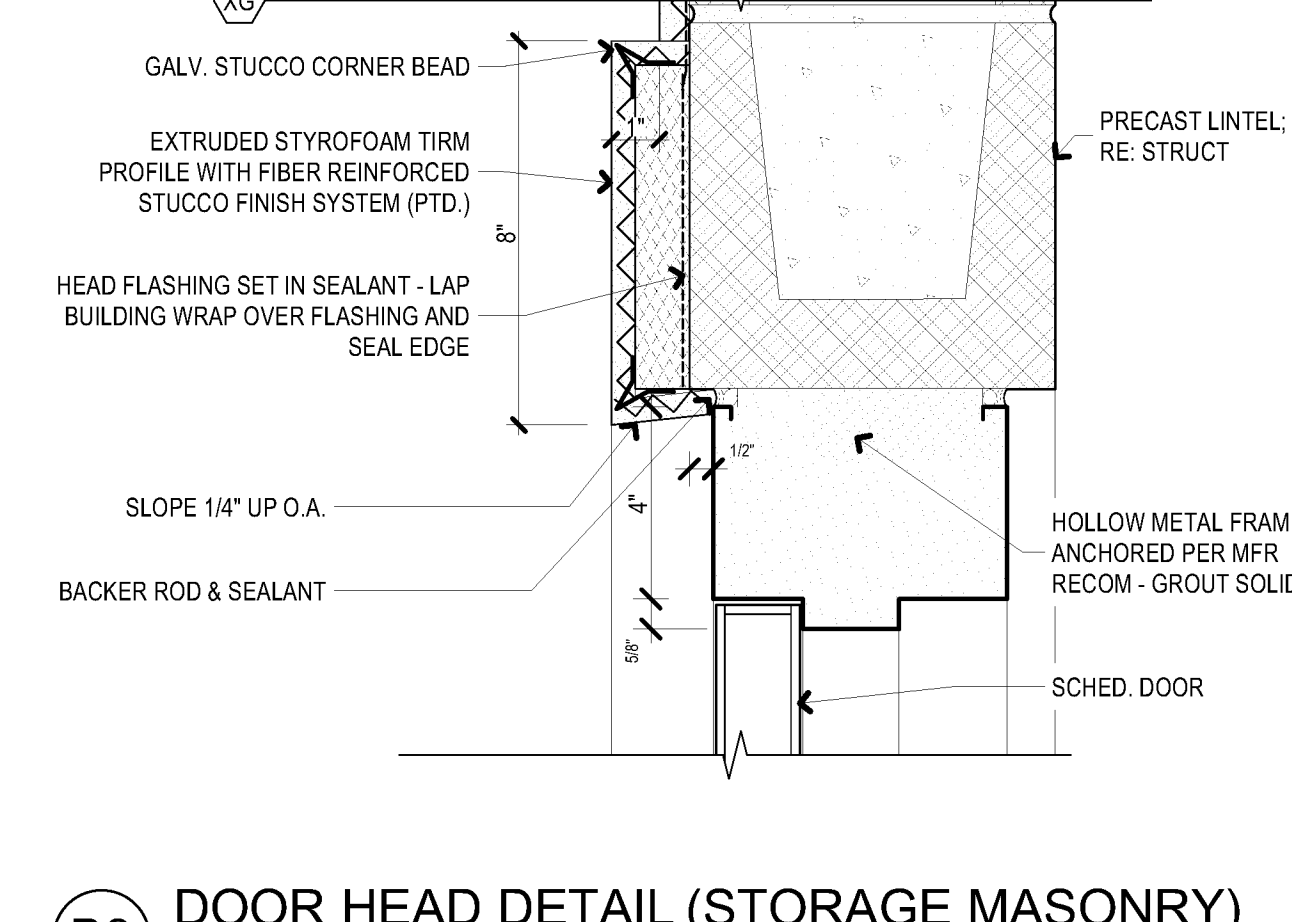
**C4 WINDOW SILL DETAIL (MC @ BRICK)**  
SCALE: 3" = 1'-0"



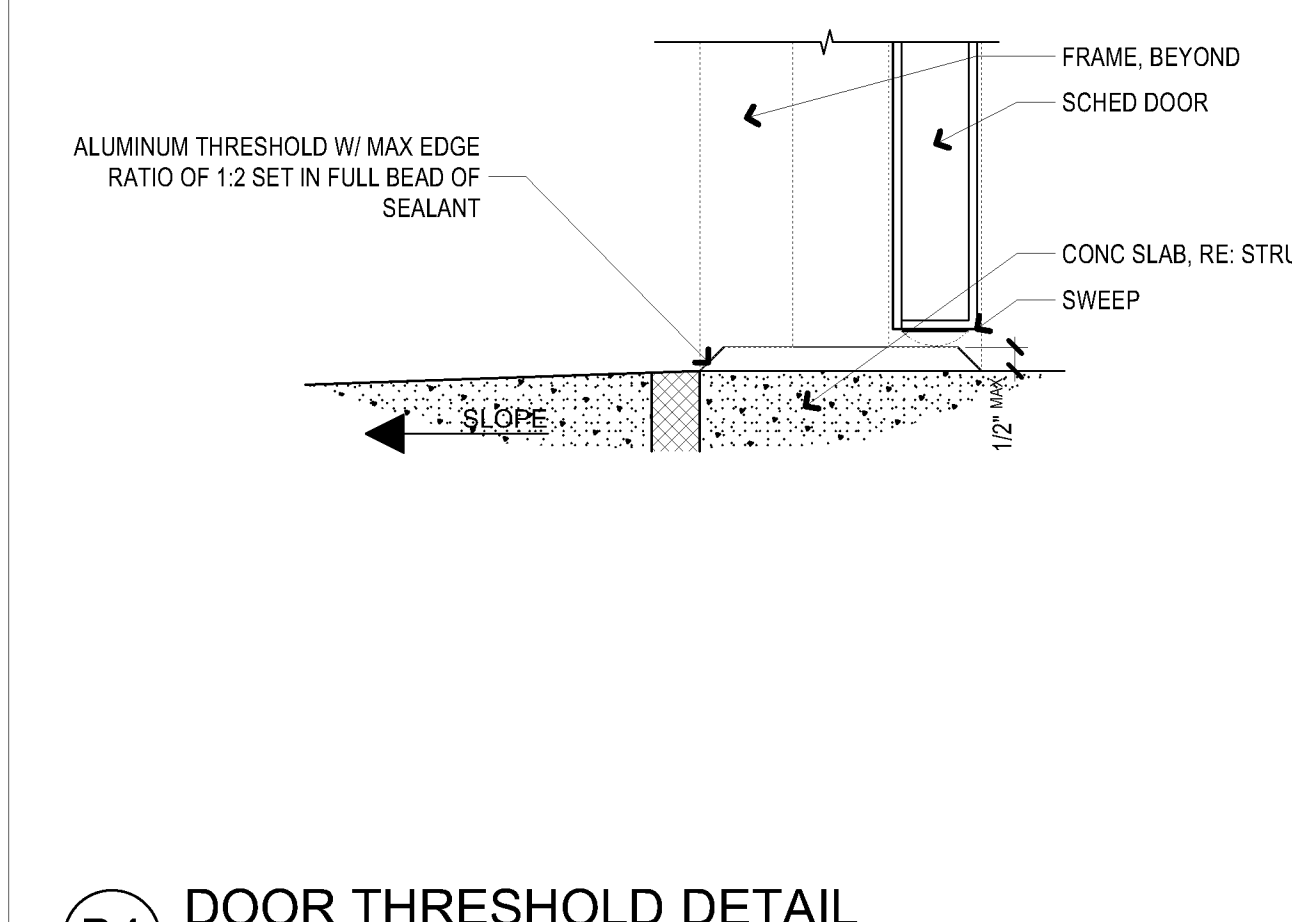
**B1 DOOR HEAD DETAIL (AL @ BRICK)**  
SCALE: 3" = 1'-0"



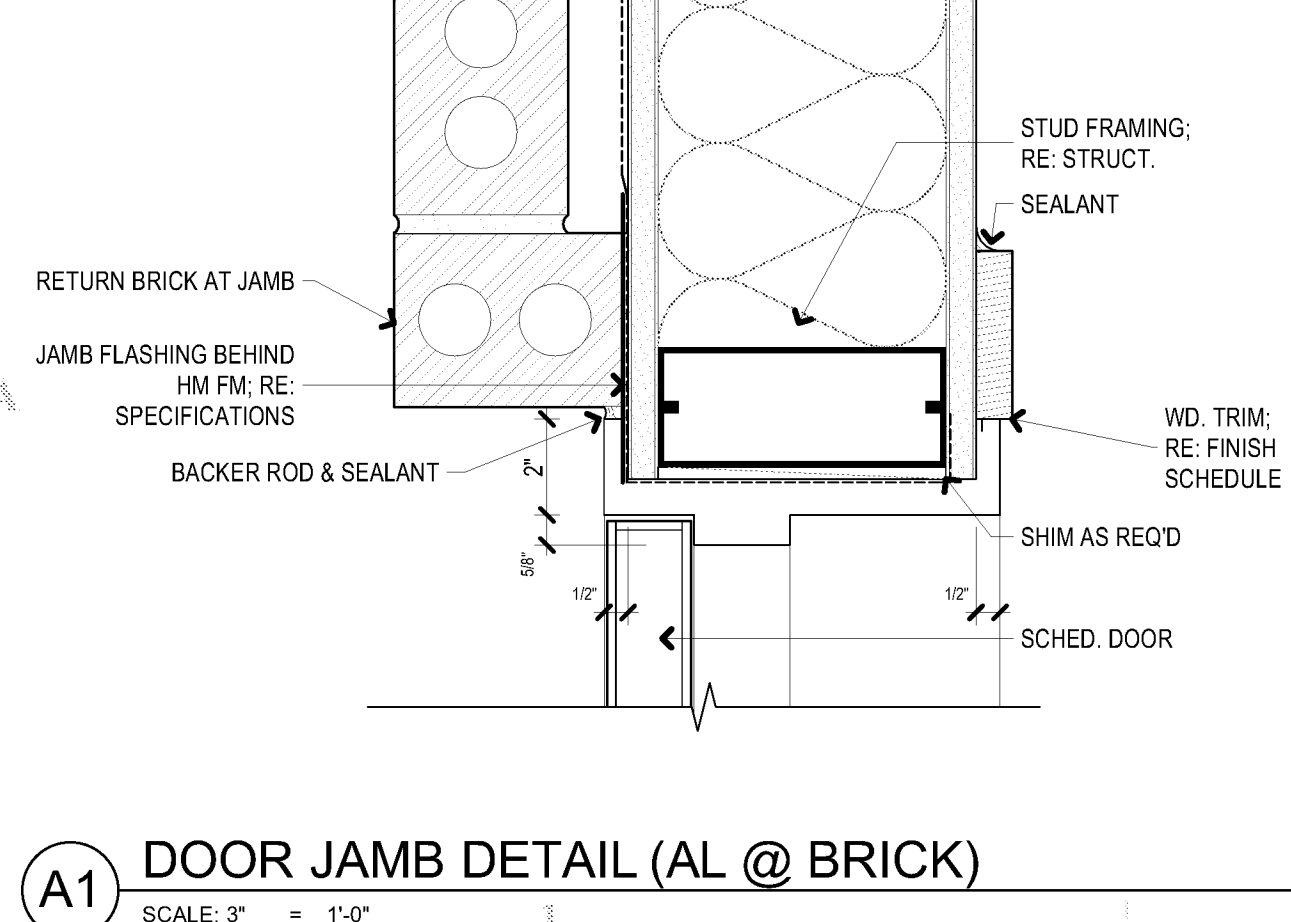
**B2 DOOR HEAD DETAIL (AL @ STUCCO)**  
SCALE: 3" = 1'-0"



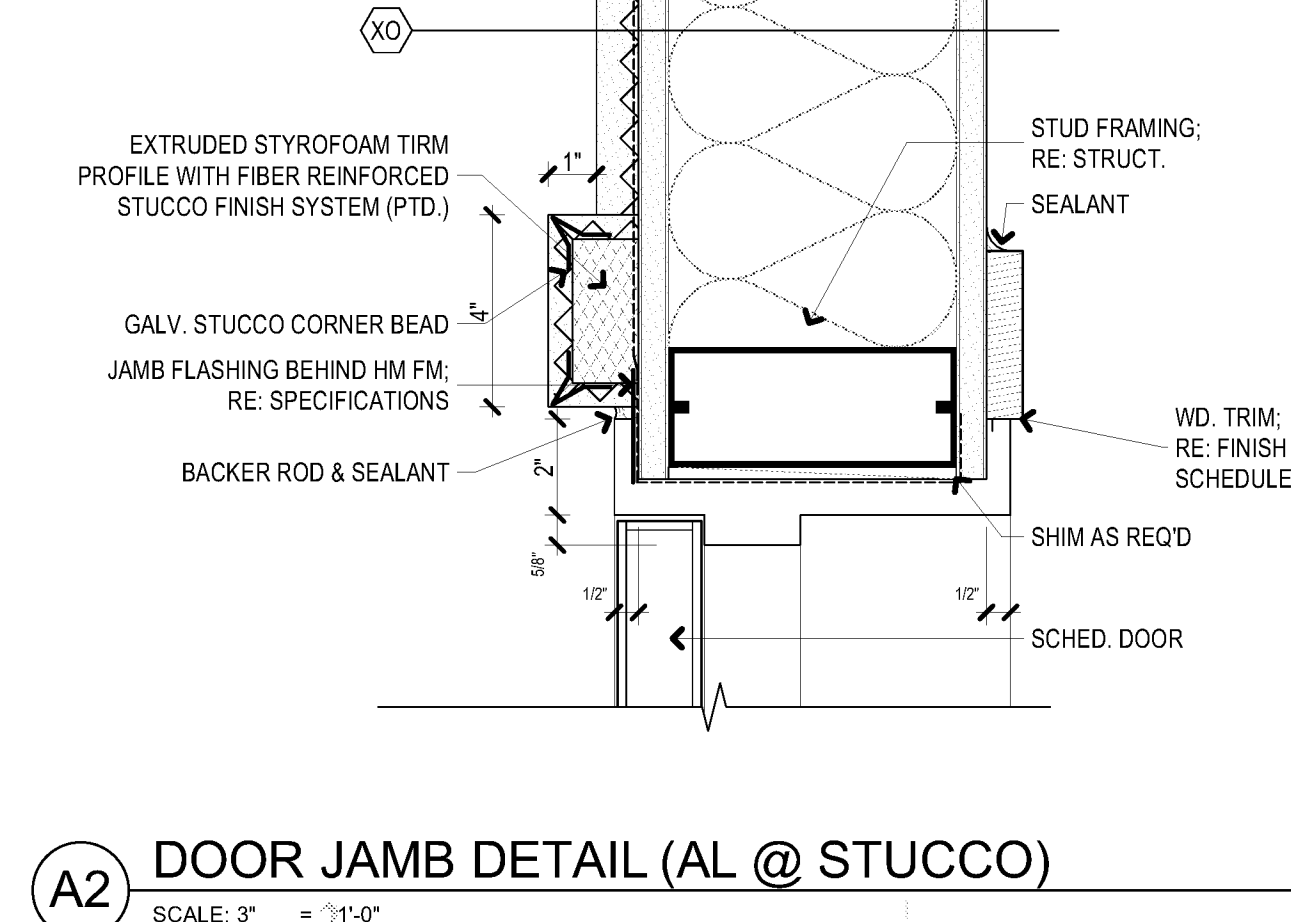
**B3 DOOR HEAD DETAIL (STORAGE MASONRY)**  
SCALE: 3" = 1'-0"



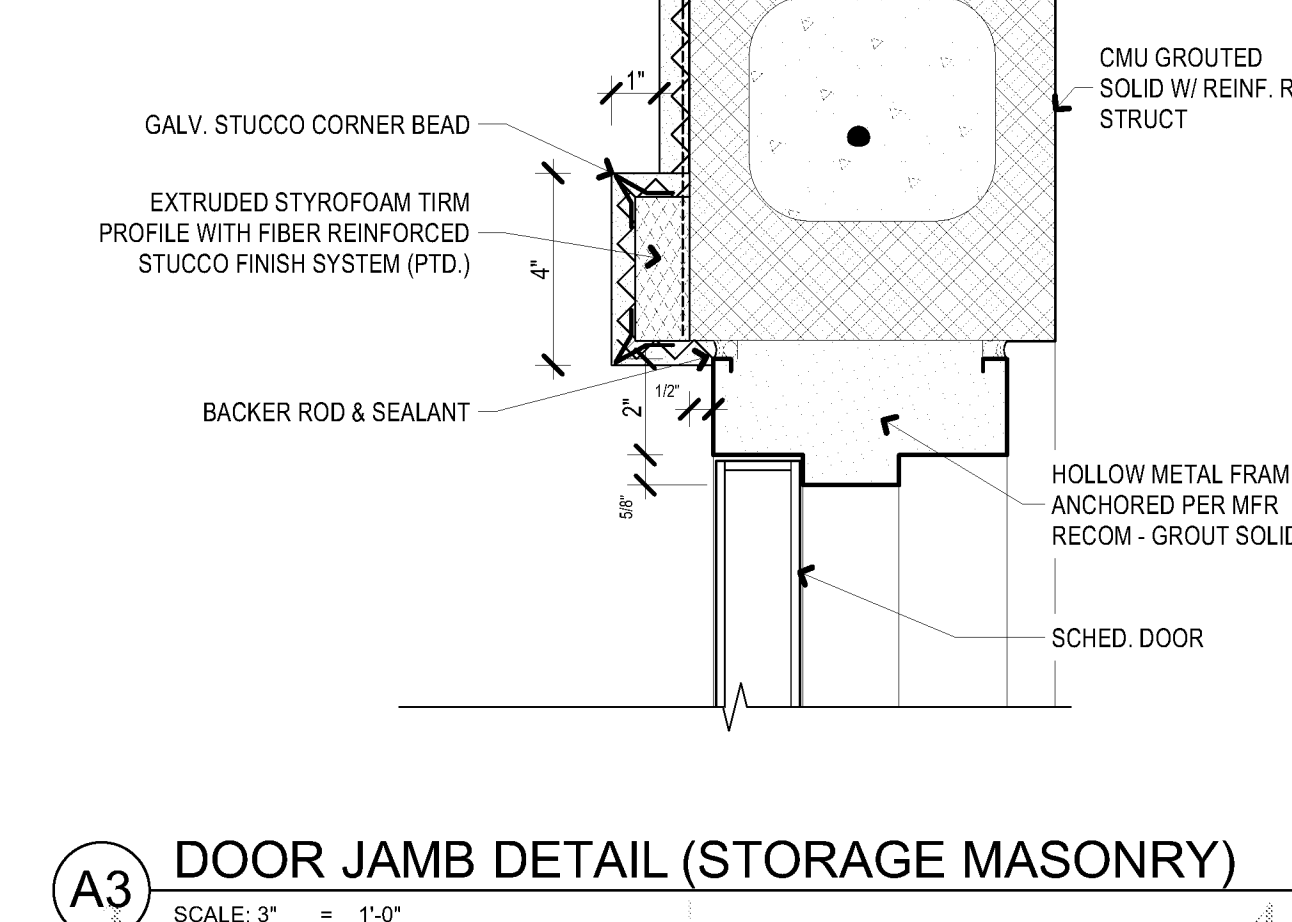
**B4 DOOR THRESHOLD DETAIL**  
SCALE: 3" = 1'-0"



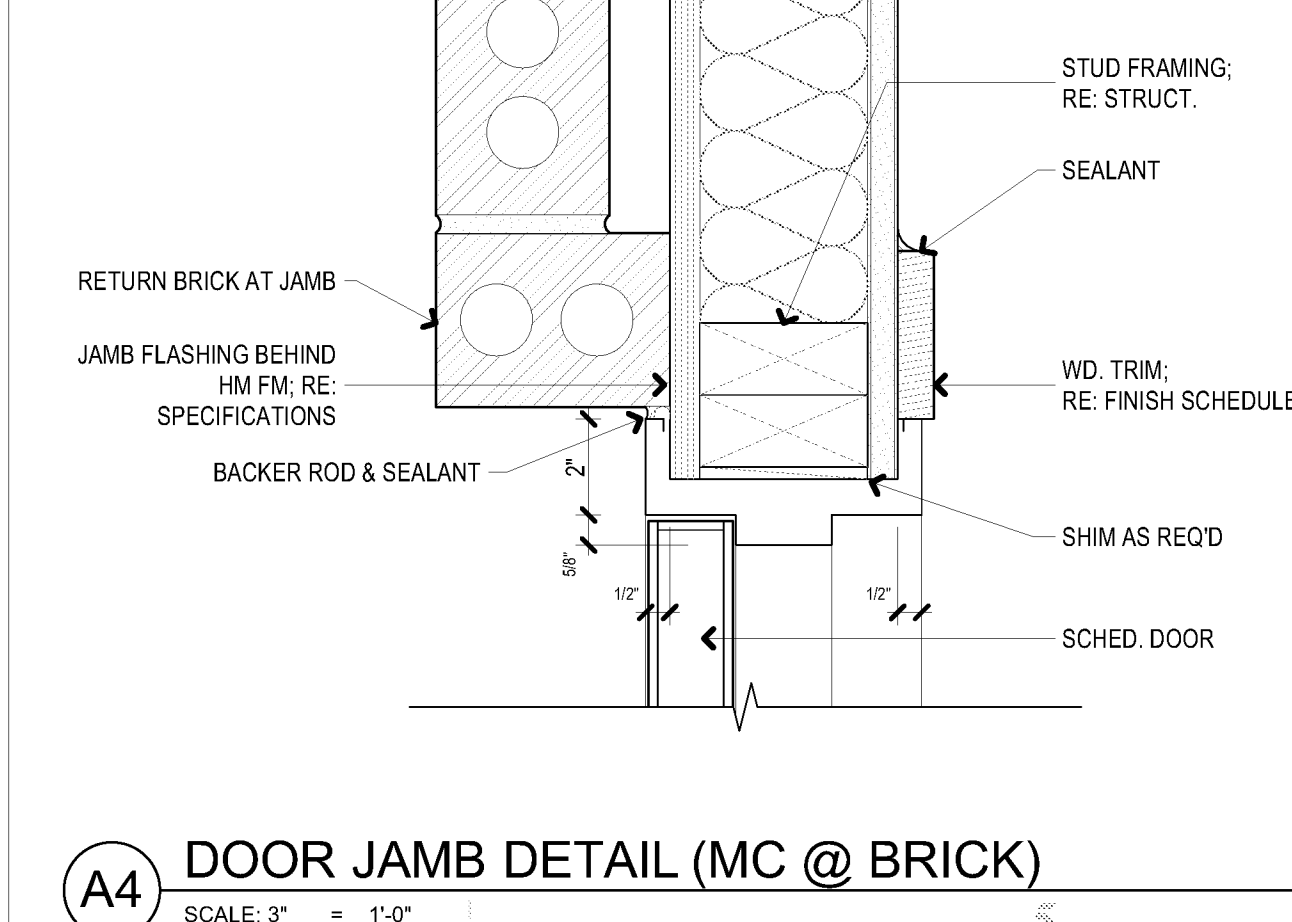
**A1 DOOR JAMB DETAIL (AL @ BRICK)**  
SCALE: 3" = 1'-0"



**A2 DOOR JAMB DETAIL (AL @ STUCCO)**  
SCALE: 3" = 1'-0"



**A3 DOOR JAMB DETAIL (STORAGE MASONRY)**  
SCALE: 3" = 1'-0"



**A4 DOOR JAMB DETAIL (MC @ BRICK)**  
SCALE: 3" = 1'-0"



**A5 DOOR JAMB DETAIL (MC @ STUCCO)**  
SCALE: 3" = 1'-0"

BIM Server: SERVER2015 - BIM Server 19/14017 Concretis Baton Rouge | Ver. 19.001 | Friday, April 01, 2016 | 12:28 PM