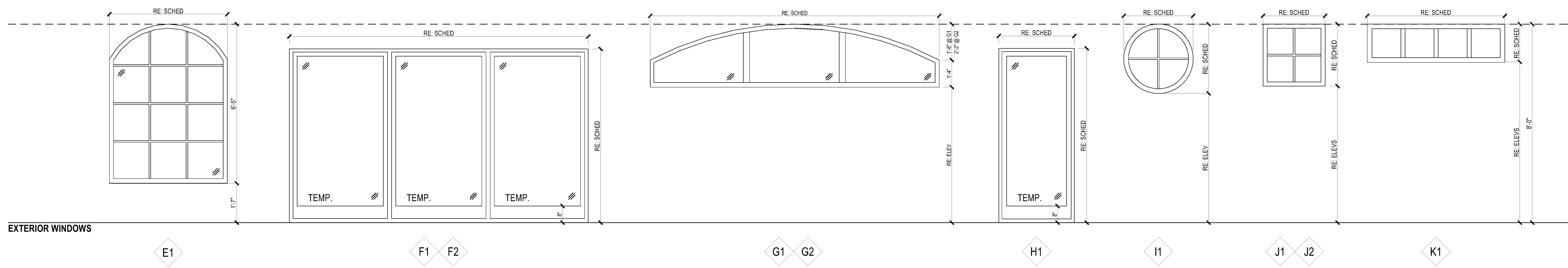
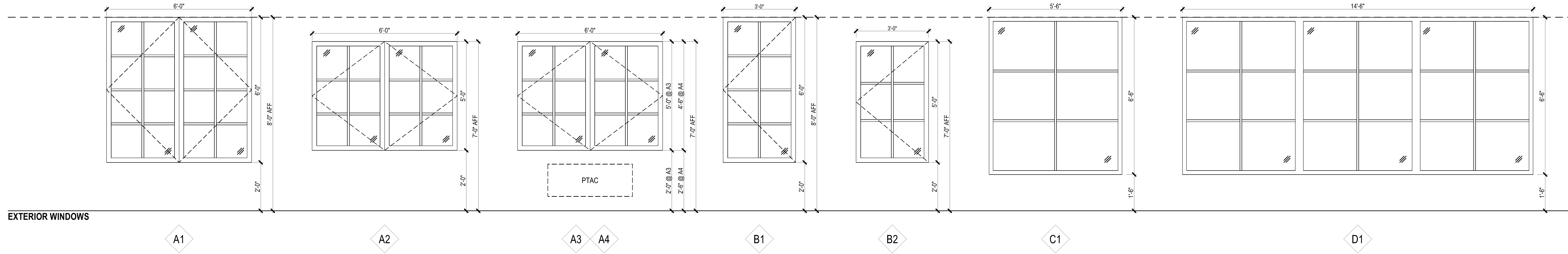
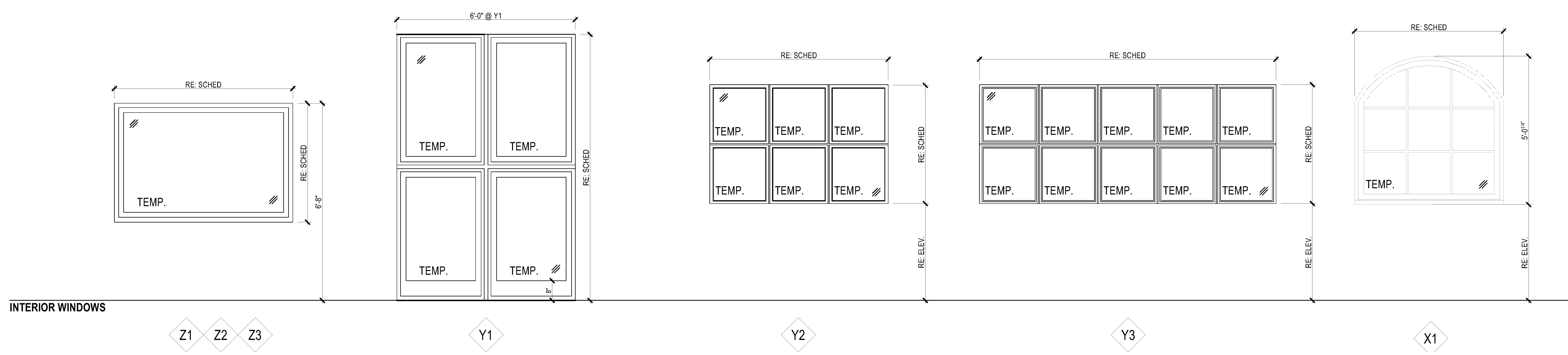


EXTERIOR WINDOW TYPES



INTERIOR WINDOW TYPES



WINDOW GENERAL NOTES

- TEMPERED GLASS AT ALL LOCATIONS REQUIRED BY CODE.
- EXTERIOR SINGLE HUNG WINDOW SASH HEIGHT RATIOS ARE AS FOLLOWS, UNO: UPPER SASH HEIGHT - 3/5, LOWER SASH HEIGHT - 2/5
- OPERABLE PARTS & HARDWARE TO MEET ADA REQUIREMENTS & REACH RANGES.
- REFER TO FINISH SCHEDULE FOR PAINT COLORS

WINDOW SCHEDULE						
ID	SIZE		LITES	DESCRIPTION		NOTES
	W.	HT.		MAT'L	TYPE	
A1	6'-0"	6'-0"	2/4	VINYL	EXTERIOR: DOUBLE CASEMENT	WHITE
A2	6'-0"	5'-0"	2/3	VINYL	EXTERIOR: DOUBLE CASEMENT	WHITE
A3	6'-0"	5'-0"	2/3	VINYL	EXTERIOR: DOUBLE CASEMENT	WHITE
A4	6'-0"	4'-6"	2/3	VINYL	EXTERIOR: DOUBLE CASEMENT	WHITE
B1	3'-0"	6'-0"	2/4	VINYL	EXTERIOR: SINGLE CASEMENT	WHITE
B2	3'-0"	5'-0"	2/3	VINYL	EXTERIOR: SINGLE CASEMENT	WHITE
C1	5'-6"	6'-6"	2/3	VINYL	EXTERIOR: FIXED CASEMENT	WHITE
D1	14'-6"	6'-6"	2/3	VINYL	EXTERIOR: TRIPLE FIXED CASEMENT	WHITE
D2	5'-6"	6'-6"		VINYL	EXTERIOR: FIXED CASEMENT	WHITE
E1	5'-0"	6'-10"		VINYL	EXTERIOR: CASEMENT	WHITE
F1	12'-0"	7'-0"		VINYL	EXTERIOR: FIXED CASEMENT	WHITE
F2	12'-0"	2'-6"		VINYL	EXTERIOR: FIXED CASEMENT	WHITE
G1	12'-0"	2'-6"		VINYL	EXTERIOR: FIXED CASEMENT	WHITE
G2	14'-6"	3'-6"		VINYL	EXTERIOR: FIXED CASEMENT	WHITE
H1	3'-0"	7'-0"		VINYL	EXTERIOR: FIXED CASEMENT	WHITE
I1	3'-0"	3'-0"		VINYL	EXTERIOR: FIXED CASEMENT	WHITE
J1	2'-6"	2'-6"		VINYL	EXTERIOR: FIXED CASEMENT	WHITE
J2	3'-0"	2'-6"		VINYL	EXTERIOR: FIXED CASEMENT	WHITE
SC1	7'-9"	8'-1"		EXTERIOR		PORCH SCREEN
Z1	6'-0"	4'-0"		INTERIOR		
Z2	3'-0"	4'-0"		INTERIOR		
Z3	4'-0"	5'-0"		INTERIOR		
Y1	6'-0"	9'-0"		INTERIOR		
Y2	6'-0"	4'-0"		INTERIOR		
Y3	10'-0"	4'-0"		INTERIOR		
X1	5'-0"	5'-0"		INTERIOR		

BIM Server: SERVER2015 - BIM Server 19/14017 Concordia Baton Rouge | Ver. 19.001 | Friday, April 01, 2016 | 12:28 PM