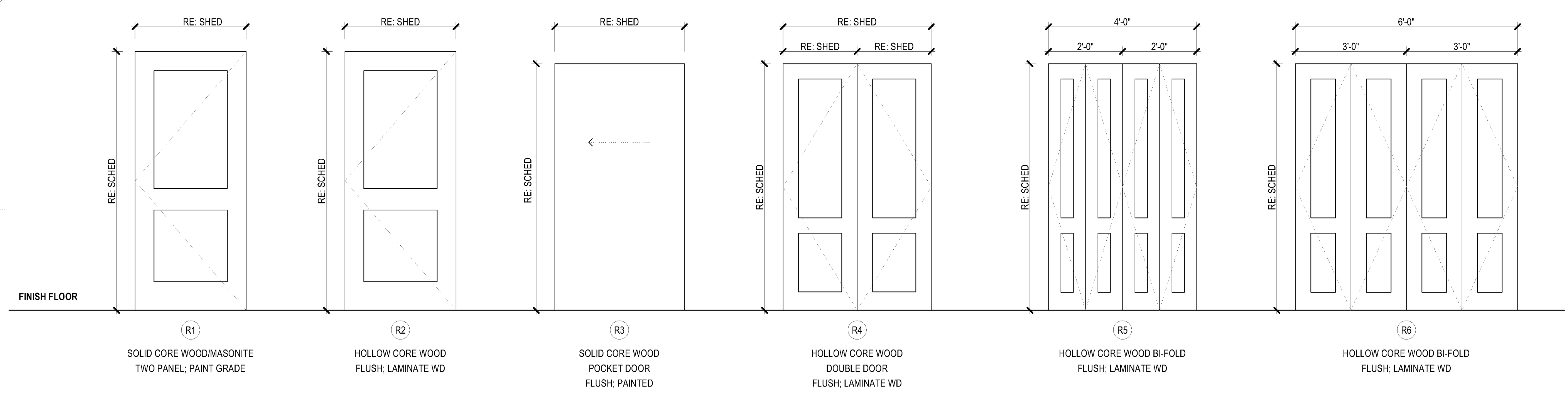
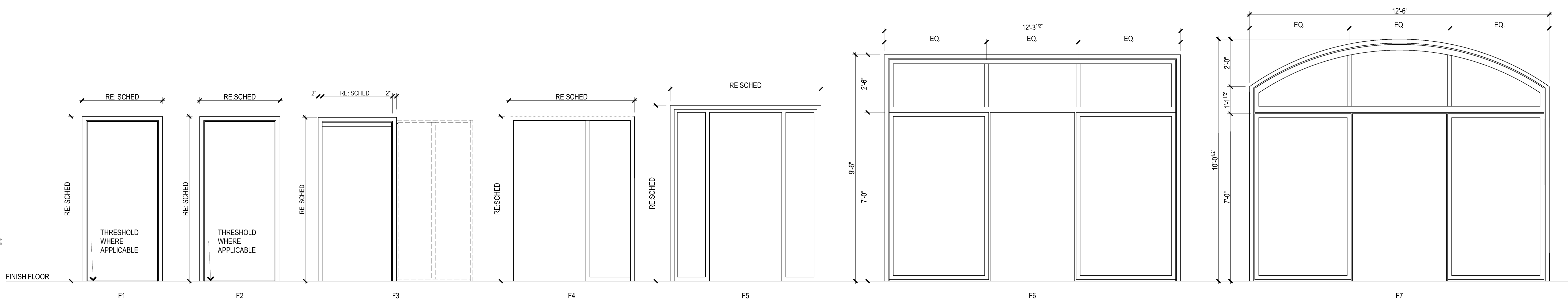


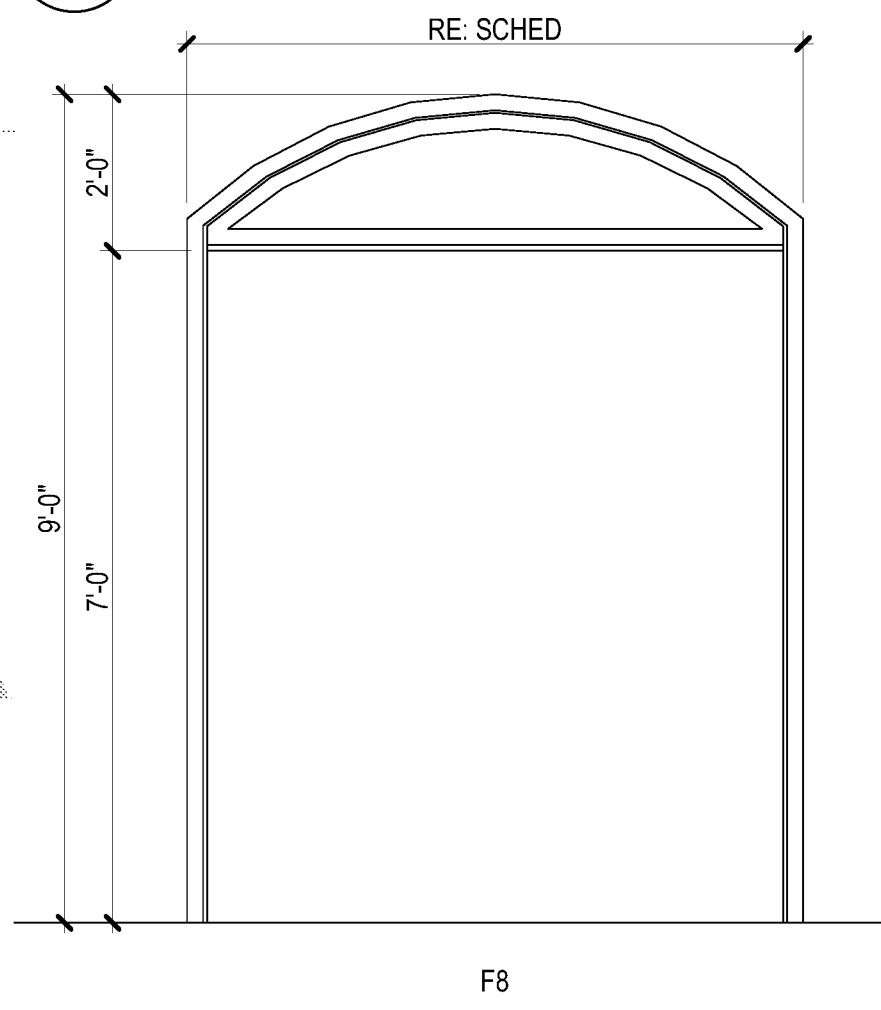
D1 DOOR TYPES
SCALE: 1/2" = 1'-0"



C1 RESIDENT DOOR TYPES
SCALE: 1/2" = 1'-0"



B1 FRAME TYPES
SCALE: 1/2" = 1'-0"



A1 FRAME TYPES
SCALE: 1/2" = 1'-0"

- DOOR GENERAL NOTES**
- DOOR REFERENCES ARE IDENTICAL FOR EACH OF THE HOUSEHOLD WINGS.
 - VERIFY WALL THICKNESS AS ATTACHMENT LOCATIONS FOR DOOR FRAME DEPTHS PRIOR TO MATERIAL ORDER.
 - ALL HM AND SCWF DOORS SHALL BE 1 3/4" THICK.
 - SUPPLY ALL NECESSARY TRIM FOR SMOKE SEALING OF FIRE RATED DOORS.
 - WEATHER STRIP AND PROVIDE ADA ACCESSIBLE THRESHOLDS TO ALL EXTERIOR DOORS.
 - ALL KNOCK DOWN FRAMES THAT ARE FIRE RATED, ADD TA-12 BRACKET IN HEAD FOR CLOSER REINFORCEMENT.
 - CROSS-CORRIDOR DOORS & FRAMES SHALL BE PAINTED TO MATCH ADJACENT WALL SURFACE COLOR.
 - ALL EXTERIOR HM DOORS SHALL BE GALVANIZED AND INSULATED.
 - PROVIDE FLOOR STOP AS REQUIRED AT ALL DOORS SWINGING AGAINST PERPENDICULAR WALL SURFACES.

- DOOR SCHEDULE LEGEND**
- HC HOLLOW CORE
 - HM HOLLOW METAL (FACTORY PRIMED AND PAINTED)
 - KD KNOCK DOWN (TIMELY) FRAMES
 - SC SOLID CORE
 - AL ALUMINUM (PREFINISHED)

BIM Server: SERVER2015 - BIM Server 19/14017 Concordia Baton Rouge | Ver. 19.001 | Friday, April 01, 2016 | 12:28 PM