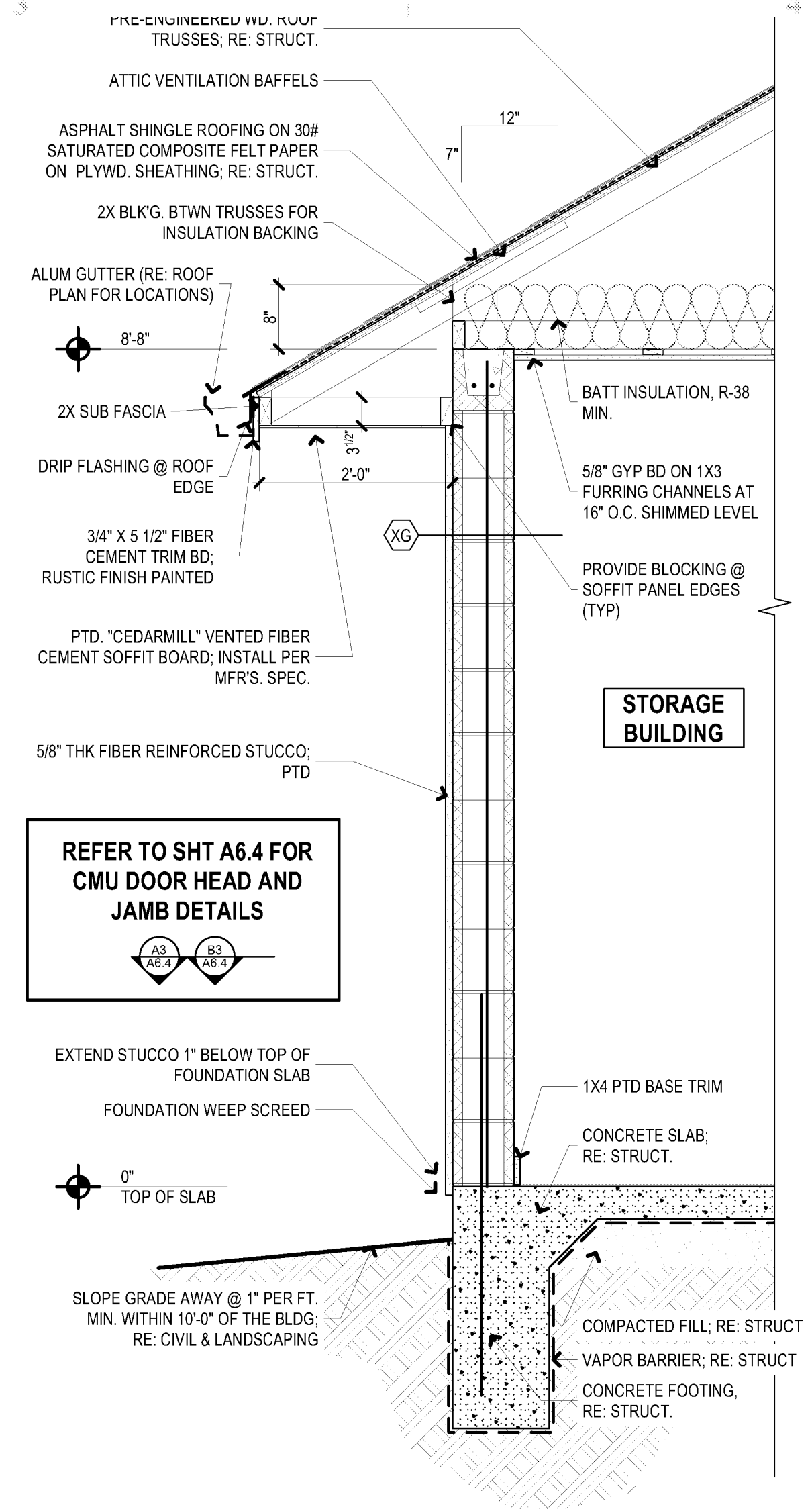
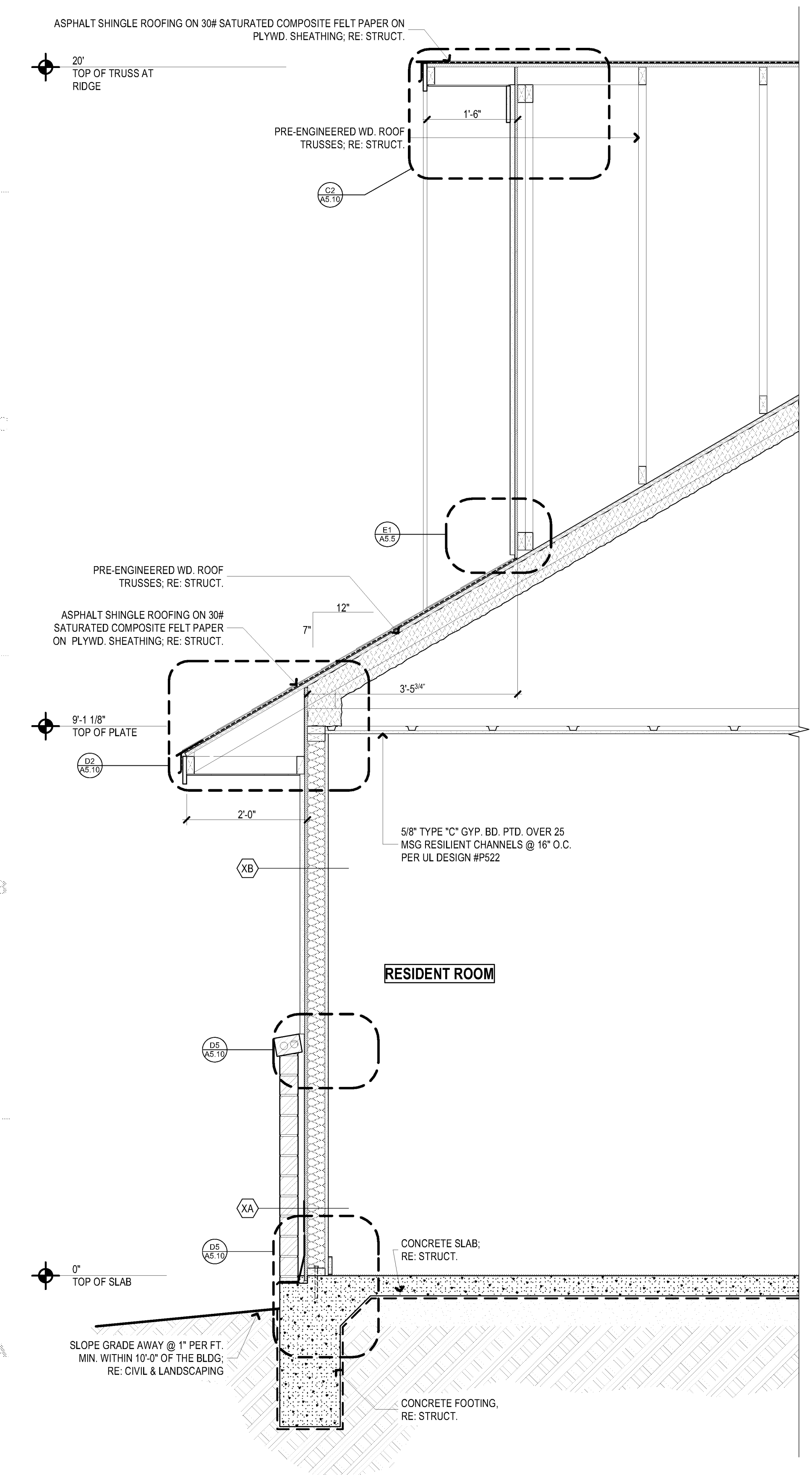


**E1 MC ROOF FLASHING DETAIL 01**  
SCALE: 3" = 1'-0"

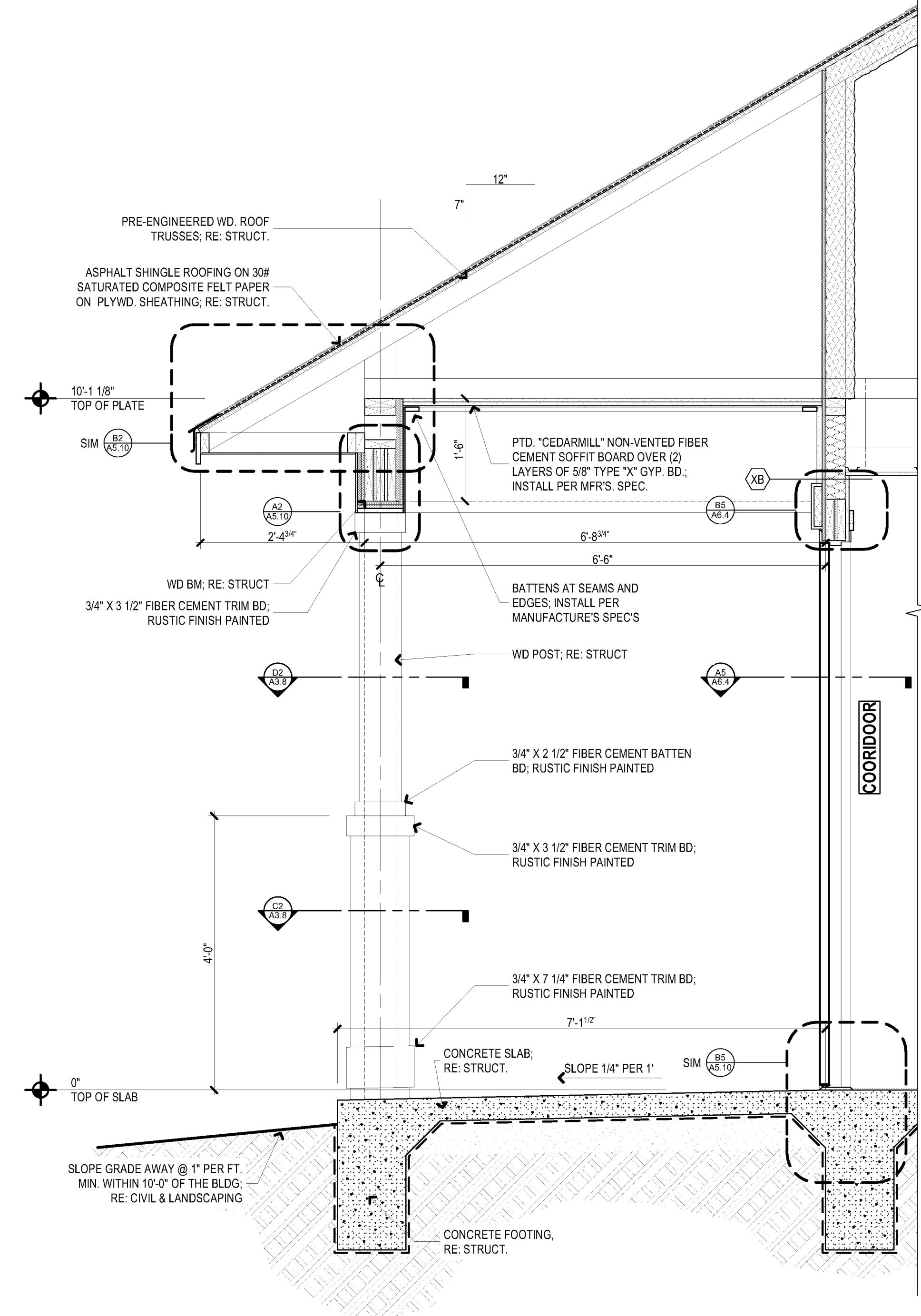


**C3 TYP STORAGE BUILDING SECTION**  
SCALE: 3/4" = 1'-0"

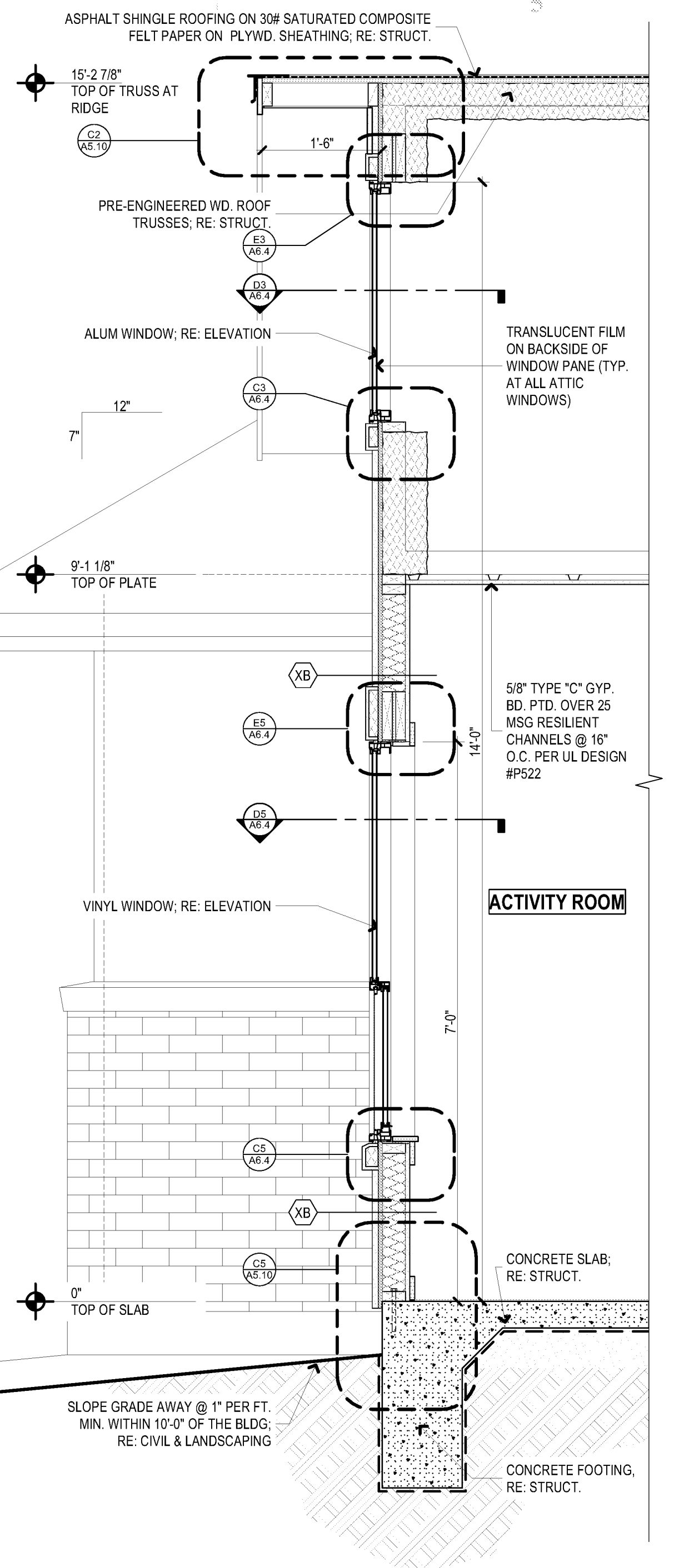
**REFER TO SHT A6.4 FOR CMU DOOR HEAD AND JAMB DETAILS**



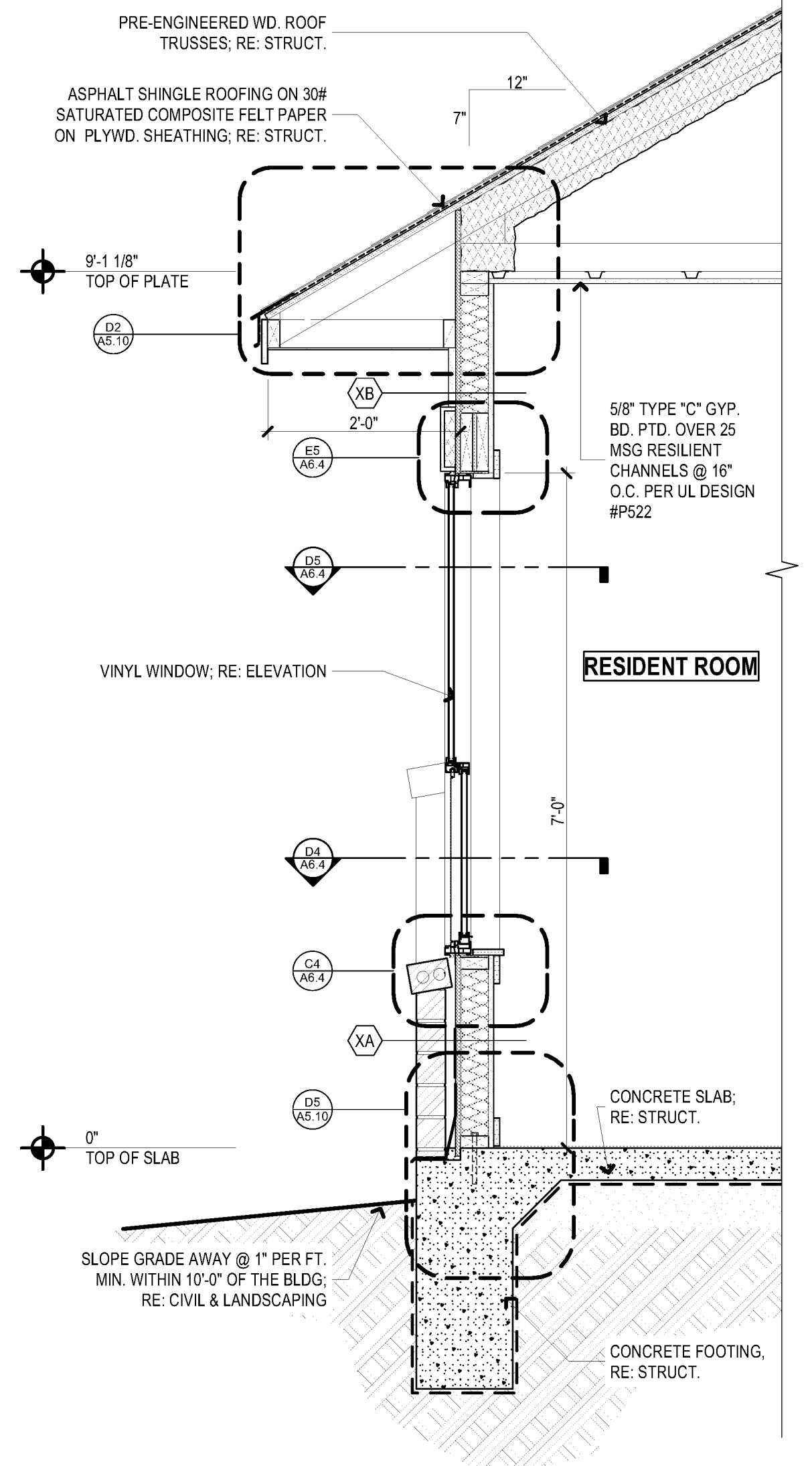
**A1 MC WALL SECTION @ DUTCH GABLE**  
SCALE: 3/4" = 1'-0"



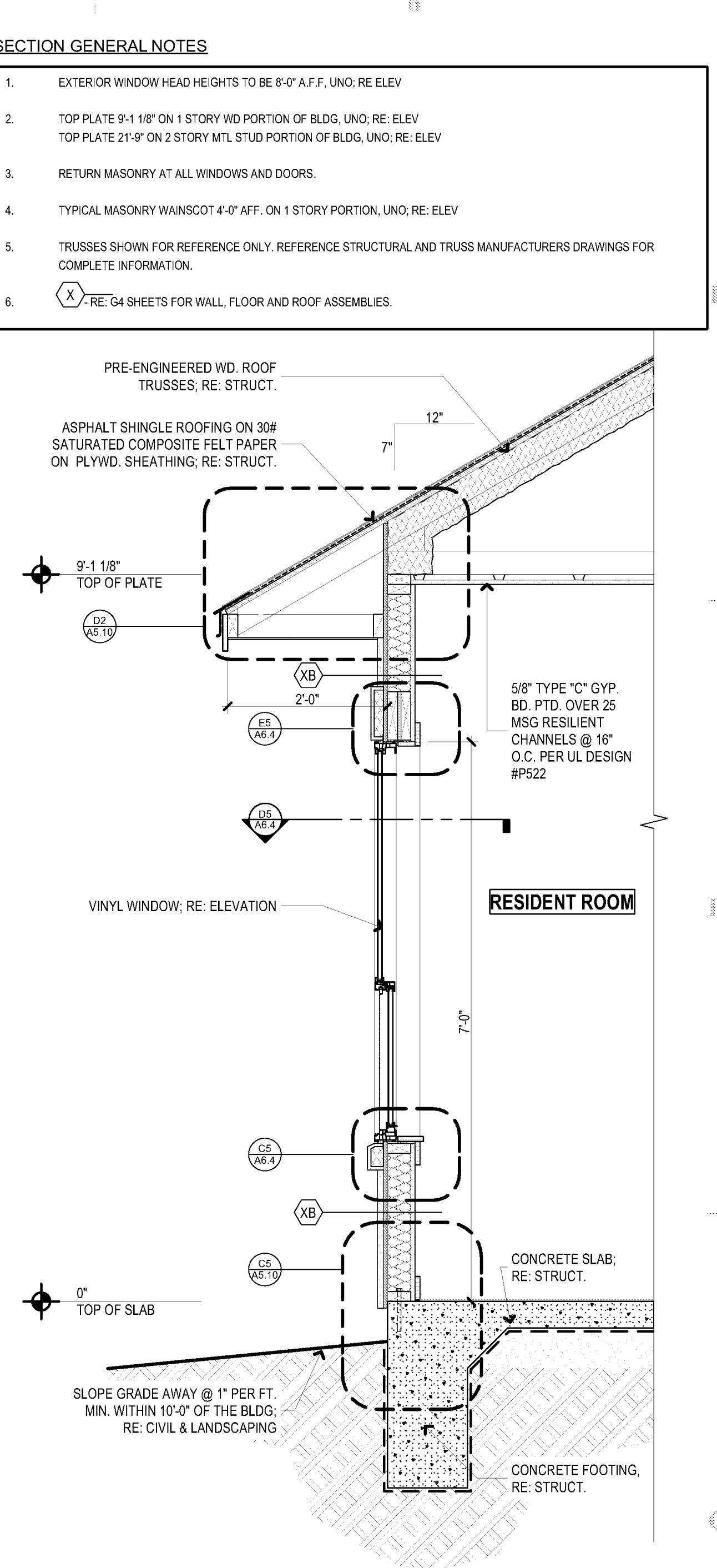
**A2 MC WALL SECTION @ TYP PORCH**  
SCALE: 3/4" = 1'-0"



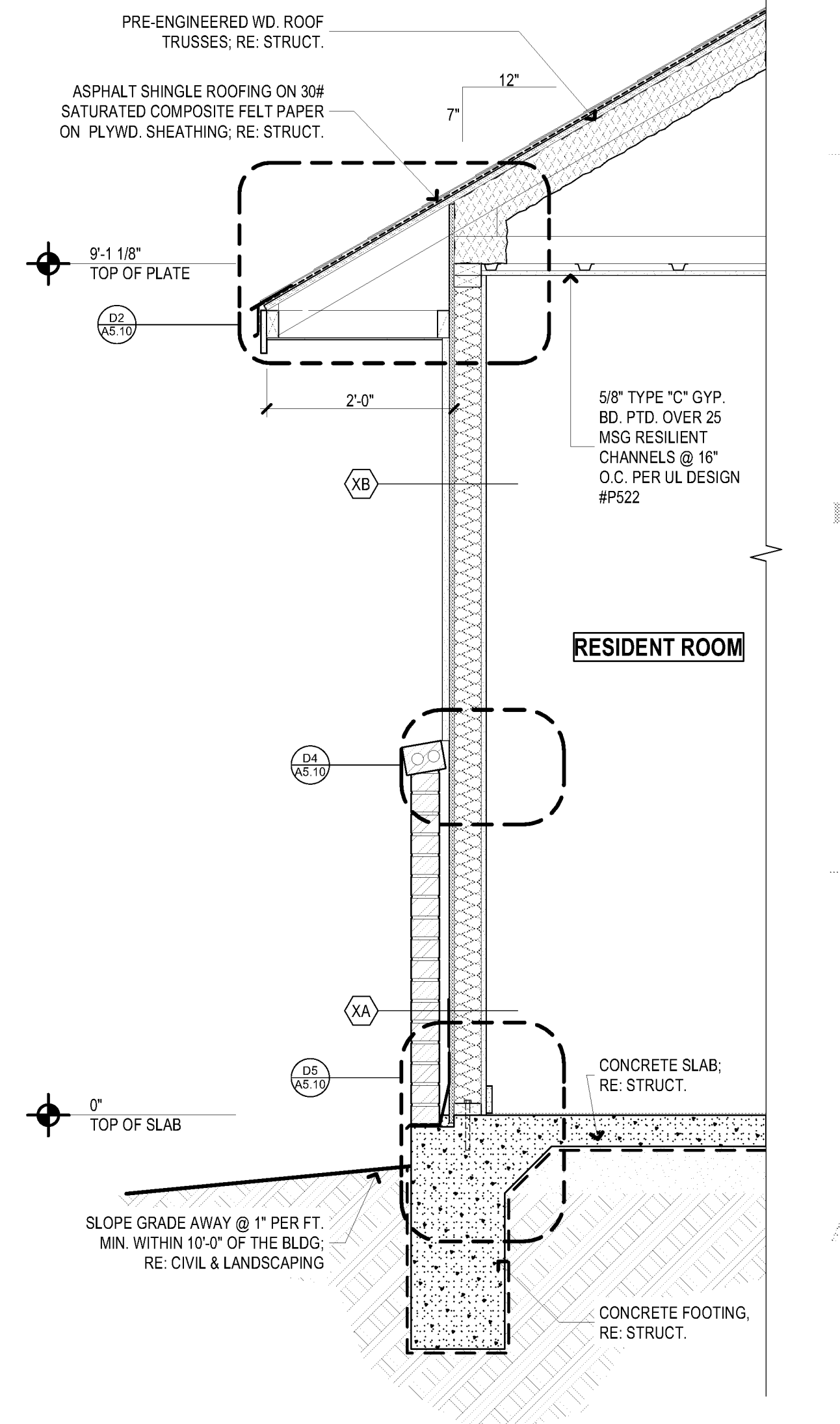
**C4 TYP MC WALL SECTION @ ACTIVITY ROOM ALCOVE**  
SCALE: 3/4" = 1'-0"



**A4 TYP MC WALL SECTION @ WINDOW**  
SCALE: 3/4" = 1'-0"



**C5 TYP MC WALL SECTION @ FULL STUCCO**  
SCALE: 3/4" = 1'-0"



**A5 TYP MC WALL SECTION**  
SCALE: 3/4" = 1'-0"

- SECTION GENERAL NOTES**
- EXTERIOR WINDOW HEAD HEIGHTS TO BE 8'-0" AFF. UNO, RE: ELEV.
  - TOP PLATE 9'-1 1/8" ON 1 STORY WD. PORTION OF BLDG. UNO, RE: ELEV.  
TOP PLATE 21'-9" ON 2 STORY MTL. STUB PORTION OF BLDG. UNO, RE: ELEV.
  - RETURN MASONRY AT ALL WINDOWS AND DOORS.
  - TYPICAL MASONRY WANSICOT 4'-0" AFF. ON 1 STORY PORTION. UNO, RE: ELEV.
  - TRUSSES SHOWN FOR REFERENCE ONLY. REFERENCE STRUCTURAL AND TRUSS MANUFACTURER'S DRAWINGS FOR COMPLETE INFORMATION.
  - "X" RE: G4 SHEETS FOR WALL, FLOOR AND ROOF ASSEMBLIES.

BIM Server: SERVER2015 - BIM Server 19/14017 Concordia Baton Rouge | Ver. 19.0011 Friday, April 01, 2016 12:10 PM