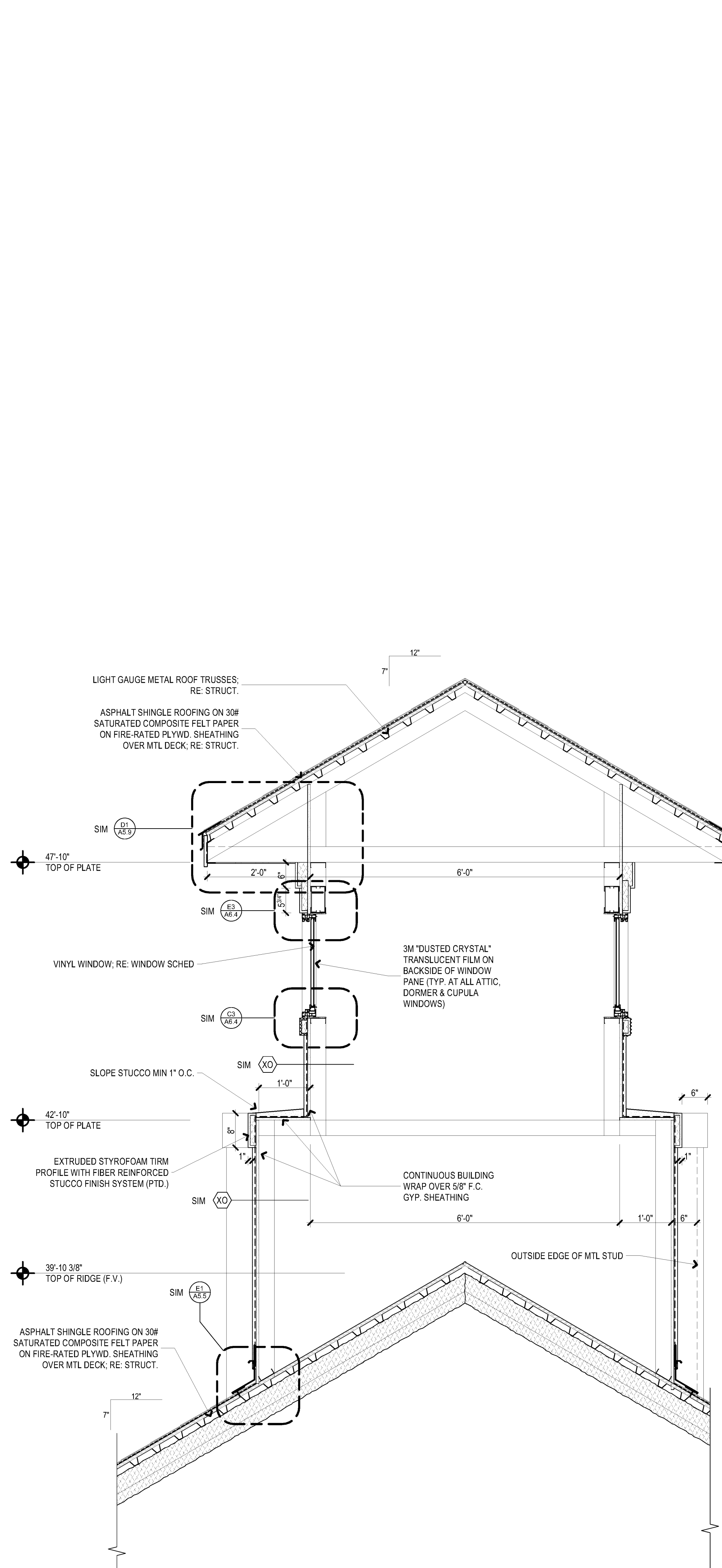
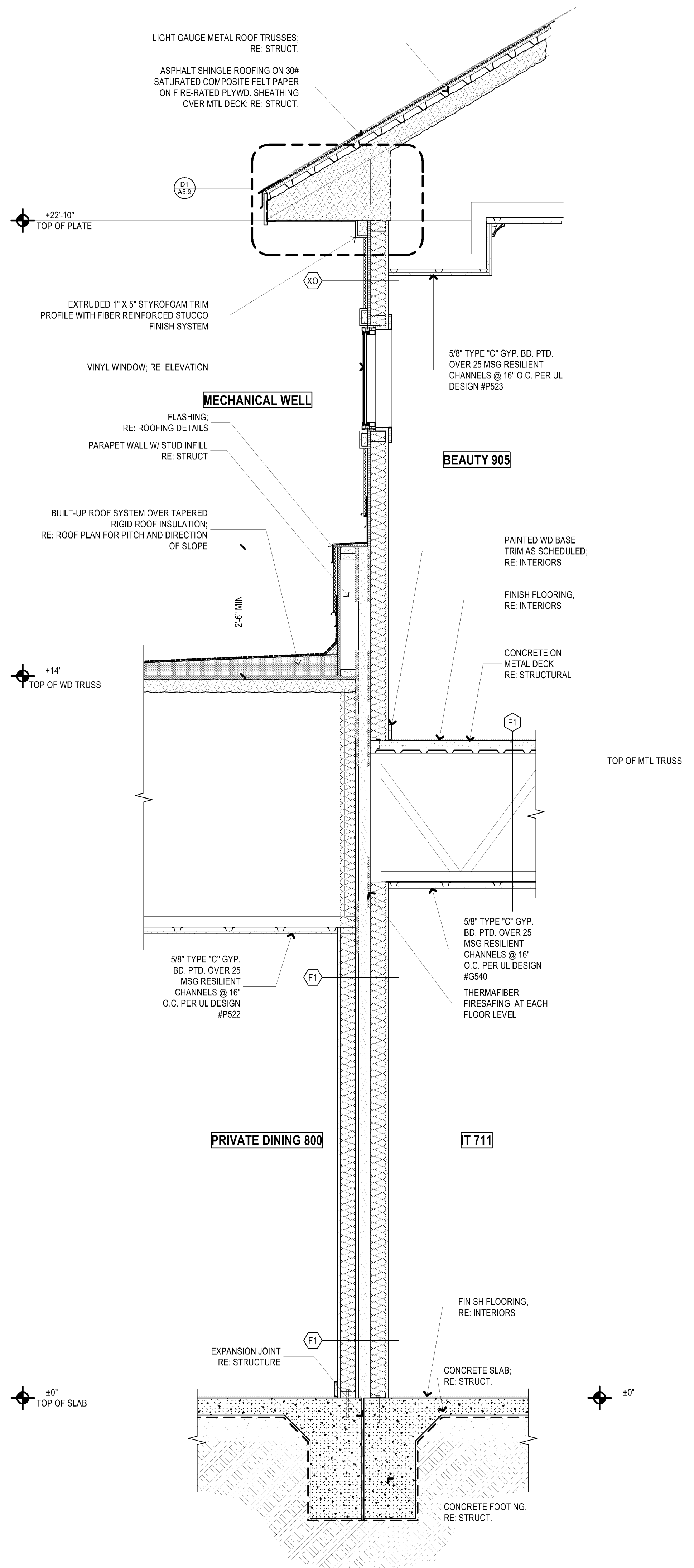


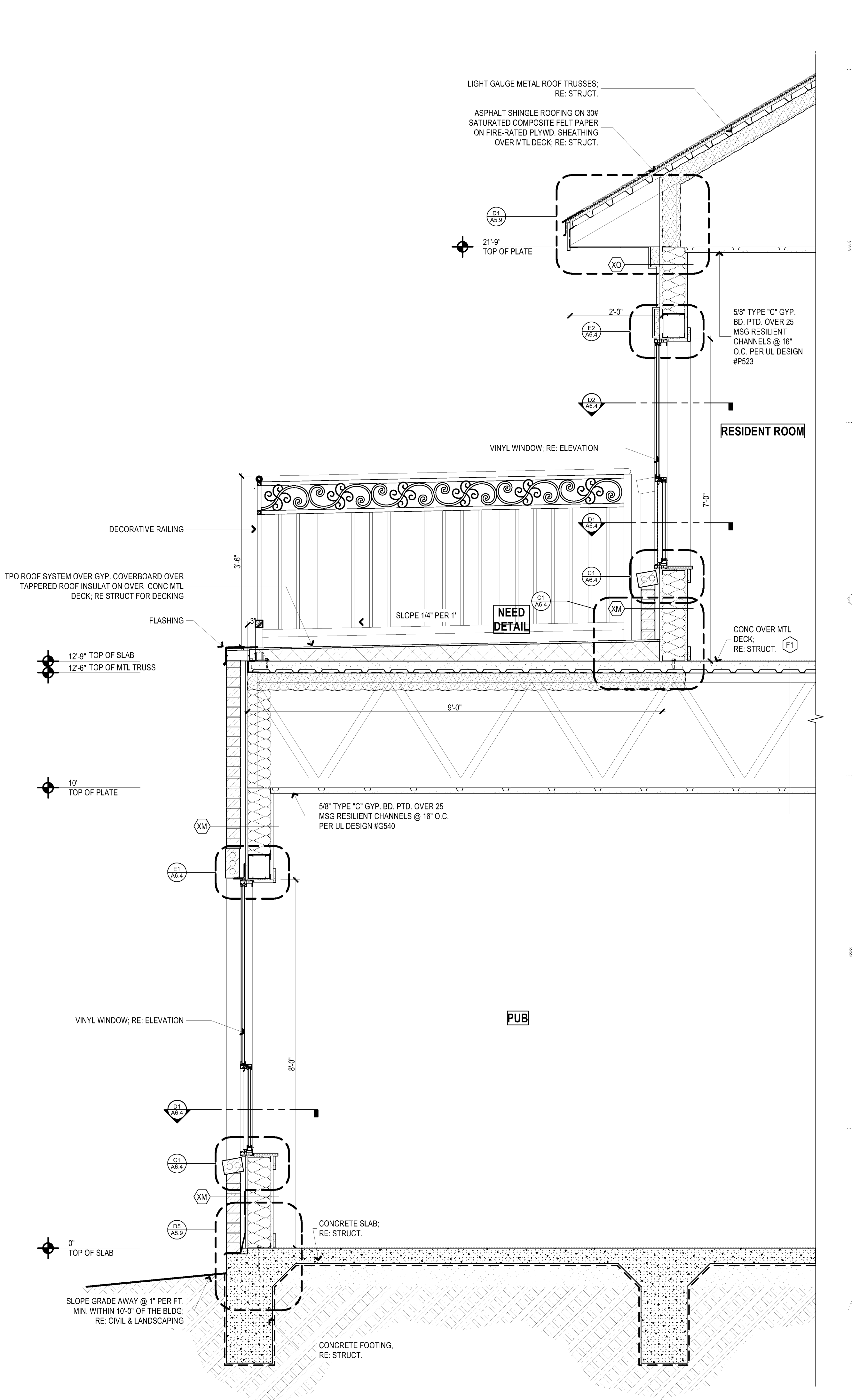
- SECTION GENERAL NOTES**
- EXTERIOR WINDOW HEAD HEIGHTS TO BE 8'-0" A.F.F. UNO, RE. ELEV.
 - TOP PLATE 9'-1 1/8" ON 1 STORY WD PORTION OF BLDG. UNO, RE. ELEV.
TOP PLATE 21'-9" ON 2 STORY MTL STUD PORTION OF BLDG. UNO, RE. ELEV.
 - RETURN MASONRY AT ALL WINDOWS AND DOORS.
 - TYPICAL MASONRY WAINSCOT 4'-0" AFF. ON 1 STORY PORTION. UNO, RE. ELEV.
 - TRUSSES SHOWN FOR REFERENCE ONLY. REFERENCE STRUCTURAL AND TRUSS MANUFACTURERS DRAWINGS FOR COMPLETE INFORMATION.
 - RE: 'G4 SHEETS FOR WALL, FLOOR AND ROOF ASSEMBLIES.
 - REFER TO A4 SHEETS FOR EXTERIOR FINISH SCHEDULE.



A1 CUPOLA DETAILS
SCALE: 3/4" = 1'-0"



A2 SECTION @ BUILDING SEPARATION
SCALE: 3/4" = 1'-0"



A4 SECTION @ PUB
SCALE: 3/4" = 1'-0"

BIM Server: SERVER2015 - BIM Server 19/14017 Concordia Baton Rouge | Ver. 19.001 | Friday, April 01, 2016 | 12:10 PM