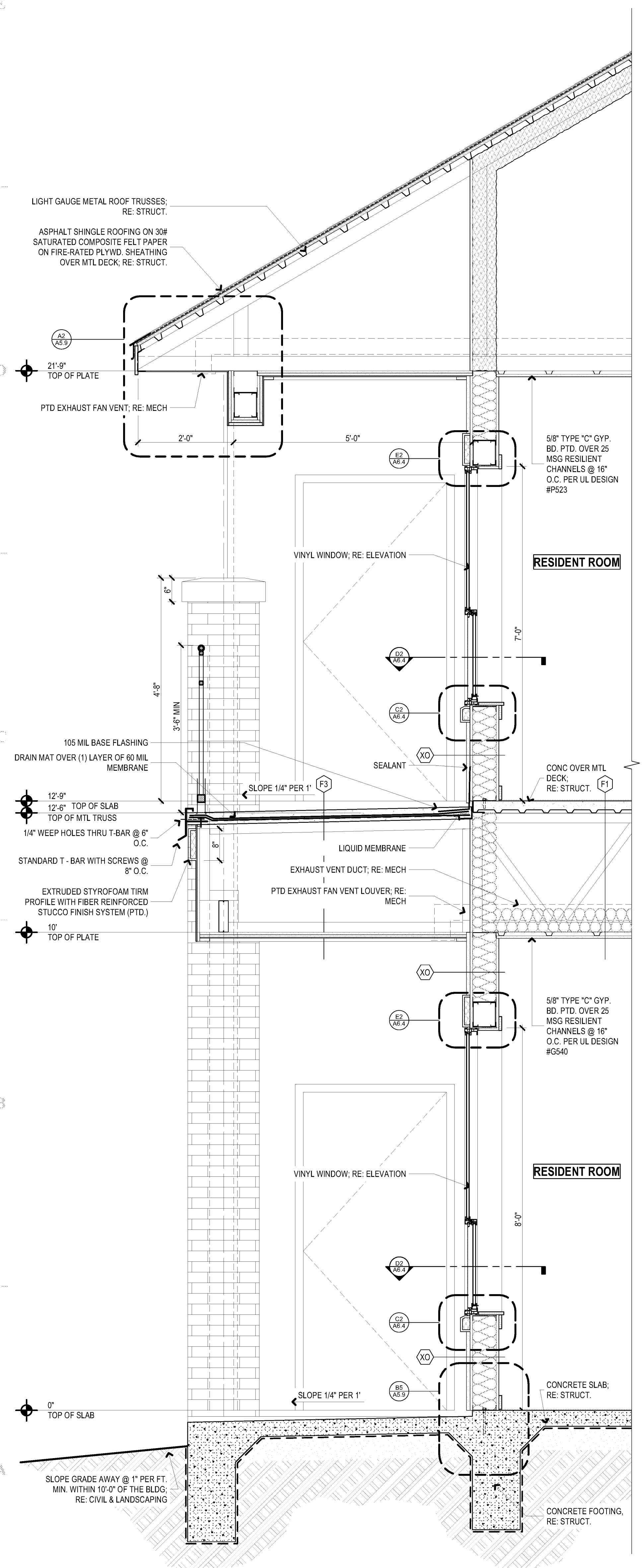
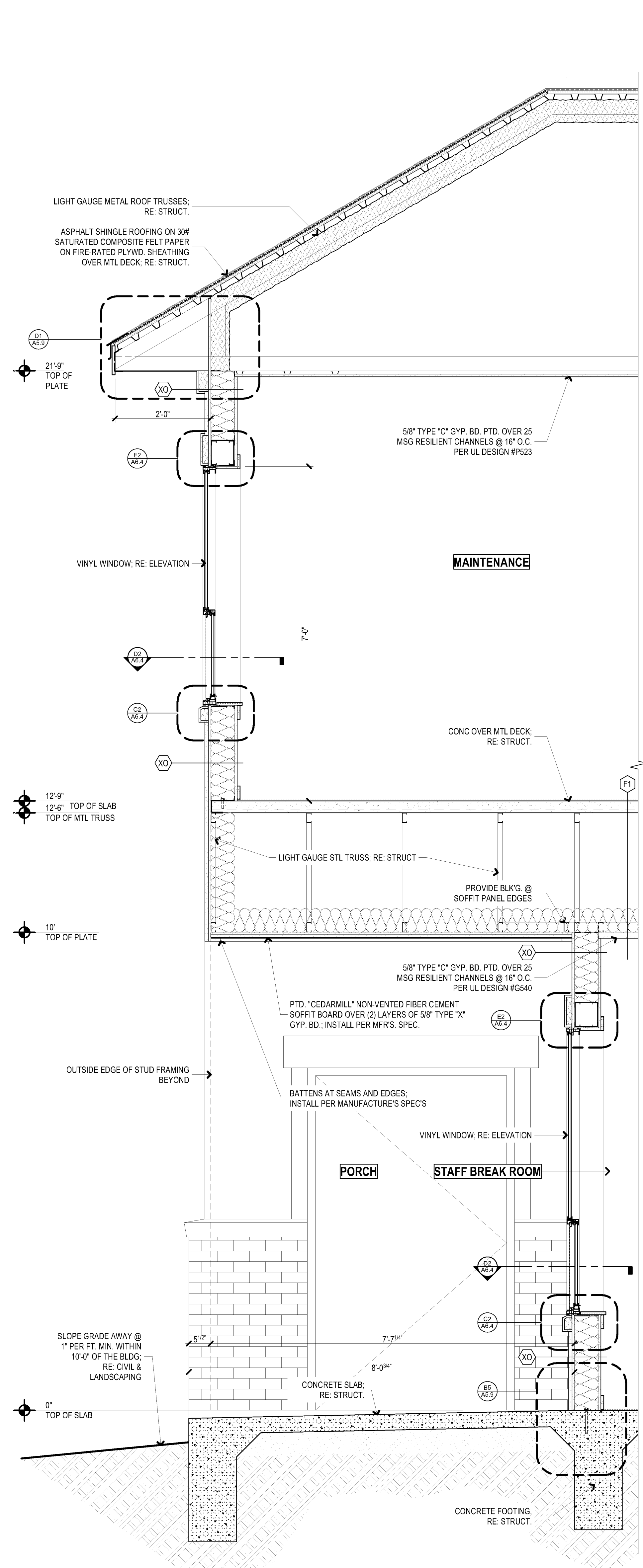


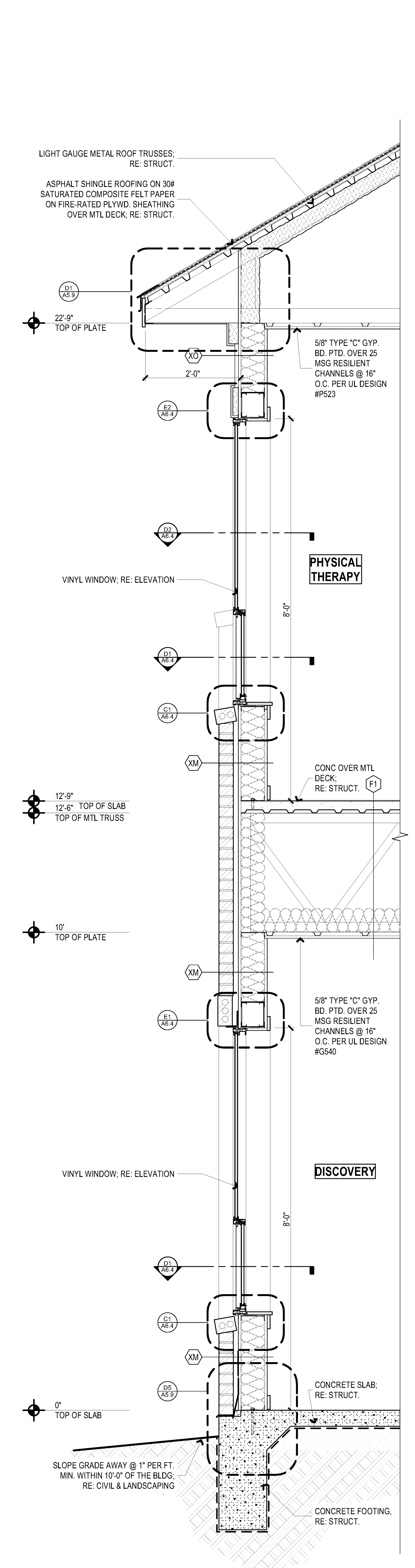
- SECTION GENERAL NOTES**
- EXTERIOR WINDOW HEAD HEIGHTS TO BE 8'-0" A.F.F. UNO, RE. ELEV.
  - TOP PLATE 9'-1 1/8" ON 1 STORY WD PORTION OF BLDG. UNO, RE. ELEV.  
TOP PLATE 21'-9" ON 2 STORY MTL STUD PORTION OF BLDG. UNO, RE. ELEV.
  - RETURN MASONRY AT ALL WINDOWS AND DOORS.
  - TYPICAL MASONRY WAINSCOT 4'-0" AFF. ON 1 STORY PORTION. UNO, RE. ELEV.
  - TRUSSES SHOWN FOR REFERENCE ONLY. REFERENCE STRUCTURAL AND TRUSS MANUFACTURERS DRAWINGS FOR COMPLETE INFORMATION.
  - RE: 'G4' SHEETS FOR WALL, FLOOR AND ROOF ASSEMBLIES.
  - REFER TO A4 SHEETS FOR EXTERIOR FINISH SCHEDULE.



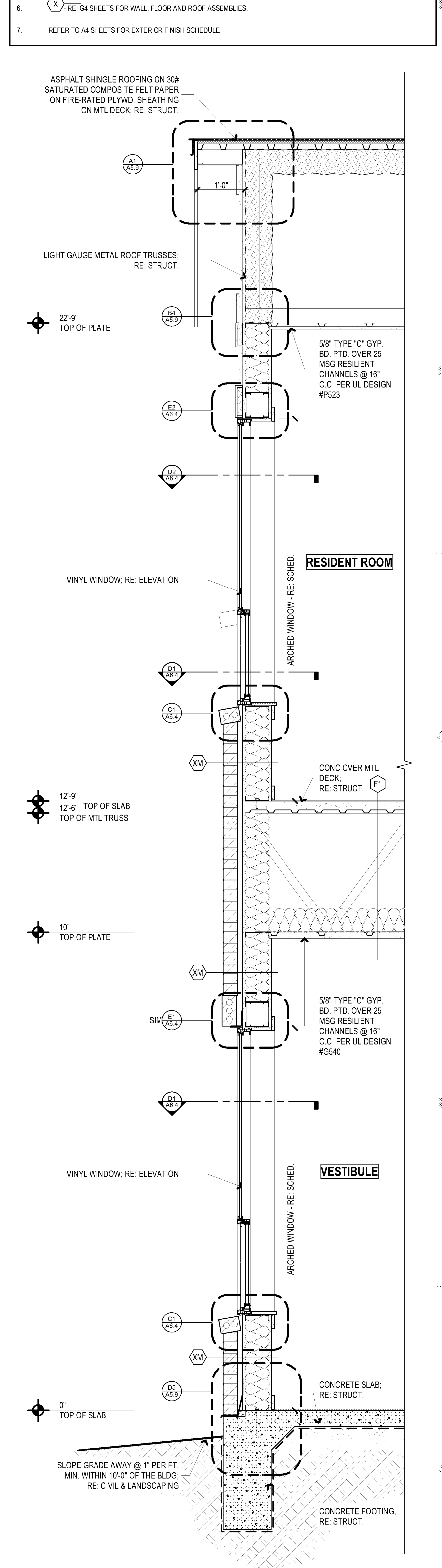
**A1 SECTION @ UNIT D1 PORCH**  
SCALE: 3/4" = 1'-0"



**A2 SECTION @ STAFF BREAK ROOM**  
SCALE: 3/4" = 1'-0"



**A4 SECTION @ DISCOVERY**  
SCALE: 3/4" = 1'-0"



**A5 SECTION @ ENTRY VESTIBULE**  
SCALE: 3/4" = 1'-0"



**WATERSTONE AT BATON ROUGE**  
**ASSISTED LIVING & MEMORY CARE**  
SIEGEN LANE  
BATON ROUGE, LA 70810

ISSUE: **PERMIT SET**

©2016 PI ARCHITECTS, INC.

REVISIONS:

DATE: 03/31/2016  
PROJECT NUMBER: 14017  
SHEET TITLE: **ALL WALL SECTIONS**

SHEET: **A5.2**

BIM Server: SERVER2015 - BIM Server 19/14017 Concordia Baton Rouge | Ver. 19.001 | Friday, April 01, 2016 | 12:10 PM