



FLOOR PLAN GENERAL NOTES

- GENERAL NOTES APPLY TO ALL DRAWINGS.
- DIMENSIONS ARE TO STUD FRAMING, EDGE OF SLAB, OR CENTERLINE OF COLUMN. COORDINATE DISCREPANCIES W/ ARCHITECT.
- ALL INTERIOR PARTITION WALLS SHALL BE TYPE "M" @ BUILDING 1 U/A/O. ALL INTERIOR PARTITION WALLS SHALL BE TYPE "M" @ BUILDING 2 U/A/O.
- PROVIDE SOLID BLOCKING FOR WALL MOUNTED ACCESSORIES AND COMPONENTS PER MANUFACTURER'S REQUIREMENTS INCLUDING BUT NOT LIMITED TO HANDRAILS, CABINETRY, TOILET ACCESSORIES, WALL MOUNTED FLAT-SCREEN TELEVISIONS, ETC. COORDINATE WITH ADA MOUNTING REQUIREMENTS.
- INTERIOR ROOM SIGNAGE, DIRECTIONAL SIGNAGE, AND EGRESS SIGNAGE, TO BE OPCI.
- EXTEND EXTERIOR WALLS AND SHEATHING AT PORCHES TO ROOF DECK TO PROVIDE BACKING FOR SPRAYED ATTIC INSULATION.
- ALL CORRIDORS TO BE MINIMUM OF 6'-0" CLEAR OR GREATER.
- PROVIDE HANDRAIL SYSTEM @ 36" A.F.F. (TYP.) AS SHOWN ON PLANS.
- PROVIDE WIRE GROMMET THRU COUNTERTOPS AT ALL KNEE SPACES. COORDINATE LOCATIONS WITH OWNER.
- REFER TO LIFE-SAFETY PLAN (G2.11) FOR LOCATION OF FIRE EXTINGUISHER CABINETS.
- INSTALL ACOUSTICAL INSULATION AT ALL WALLS SEPARATING RESIDENT ROOMS FROM COMMON AREAS, OFFICES, AND PUBLIC TOILETS.
- INSTALL WALL TILE TO 7'-0" ON WALLS AT SHOWER AND TUBS.
- INSTALL FRP AT JANITOR CLOSET WALLS UP TO 48" AFF & 48" OUT FROM WALL UNO.
- PROVIDE MASONRY RETURNS AT ALL DOOR AND WINDOW OPENINGS WHERE MASONRY IS PRESENT.
- PREPARE FOR INSTALLATION OF BLINDS AT ALL RESIDENT ROOMS.
- "NOT TO BE USED"
- SEAL ALL PENETRATIONS THROUGH FIRE/SMOKE SEPARATION WALLS WITH APPROVED UL FIRE STOP.
- ENSURE ALL DOORS SWINGING INTO EGRESS CORRIDOR OPEN TO NO MORE THAN 7" FROM WALL WHEN OPENED 180°. COORDINATE HANDRAILS BEHIND APPLICABLE DOORS.
- PHYSICAL THERAPY EQUIPMENT TO BE OPCI.
- ALL CONCEALED COMBUSTIBLE SPACES, INCLUDING BUT NOT RESTRICTED TO, GYP. BD. FURREDOWNS & COLUMNS MUST BE SPRINKLED OR FILLED W/ INSULATION AND HAVE 2 LAYERS TYPE "X" GYP BD CAP EQUAL TO GA RC 2802.
- ALL COUNTERTOPS & VANITIES TO HAVE ROUNDED CORNERS.
- T.V'S IN UNITS TO BE PLACED ON STANDS. OUTLET TO BE 18" AFF.
- PROVIDE BLOCKING @ 48" FOR ALL MEMORY BOXES AT MEMORY CARE UNIT ENTRIES

FLOOR PLAN KEYED NOTES

- FILL VOID SPACE WITH INSULATION OR PROVIDE SPRINKLER HEAD WITHIN CAVITY
- NOT USED
- PROVIDE BLOCKING OR NON-COMBUSTIBLE BACKING FOR WALL MOUNTED TELEVISION. RE: FLOOR PLAN GENERAL NOTE #4. COORDINATE WITH OWNER FOR MOUNTING HEIGHT.
- NOT USED
- SPECTRUM HANDRAIL SYSTEM @ 36" A.F.F. TYP., RE: B33A/4
- NOT USED
- PTAC SYSTEM, RE: MECHANICAL & ELECTRICAL
- ELECTRIC FIREPLACE, DIMPLEX BF45DXP
- METAL LOCKERS, RE: SPECIFICATIONS
- 1 HR RATED CEILING ACCESS PANEL
- 1 HR RATED ATTIC ACCESS HATCH, RE: A3.5
- FIVE (5) WIRE SHELVES ON FIXED STANDARDS. SHELVES TO BE 16" DP.
- TWO (2) 18" WIRE SHELVES @ 24" AFF. & @ 48" AFF., TYP @ ALL RES. ROOMS. SHELVES TO BE 16" DP WITH CLOTHING ROD
- INSTALL 3/4" PLYWD FULL HT. OF WALLS, PAINTED.
- M3 HALF WALL, RE: G4.2

RESTROOM ACCESSORY SCHEDULE

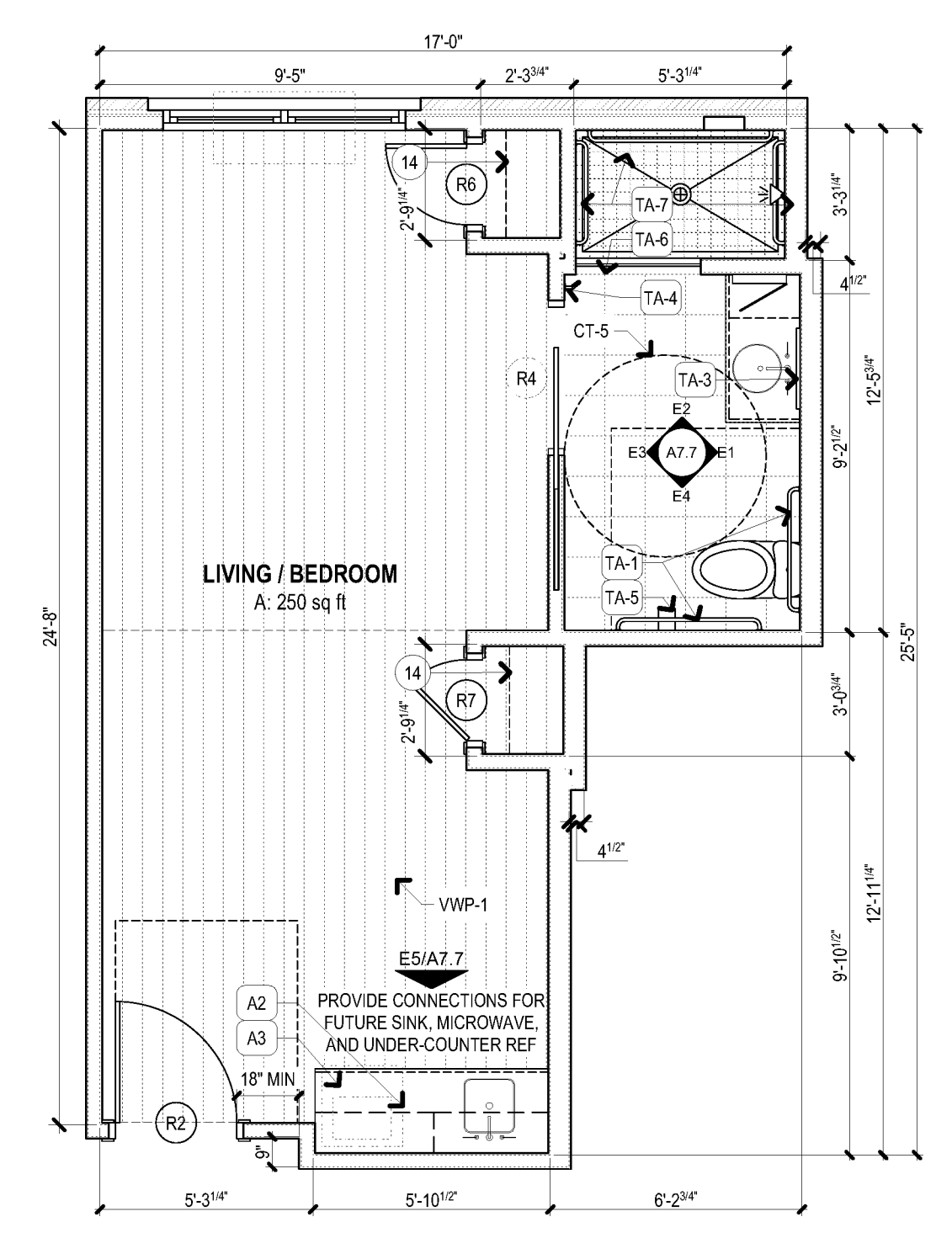
REFER TO SHEET G3.1 AND G3.2 FOR MOUNTING HEIGHTS AND MEP DRAWINGS FOR SPEC. ON PLUMBING FIXTURES. REFER TO SPECS FOR ACCESSORY MAKE AND MODEL.

TA-1	TOILET GRAB BARS
TA-3	SURFACE MOUNTED MIRROR
TA-4	CLOTHES HOOK
TA-5	TOILET TISSUE DISPENSER
TA-6	STAINLESS STEEL SHOWER CURTAIN ROD
TA-7	SHOWER GRAB BARS
TA-8	SURFACE MOUNTED UTILITY SHELF
TA-9	PAPER TOWEL DISPENSER
TA-10	SOAP DISPENSER
TA-11	SURFACE MOUNTED LOCKABLE MEDICINE CABINET

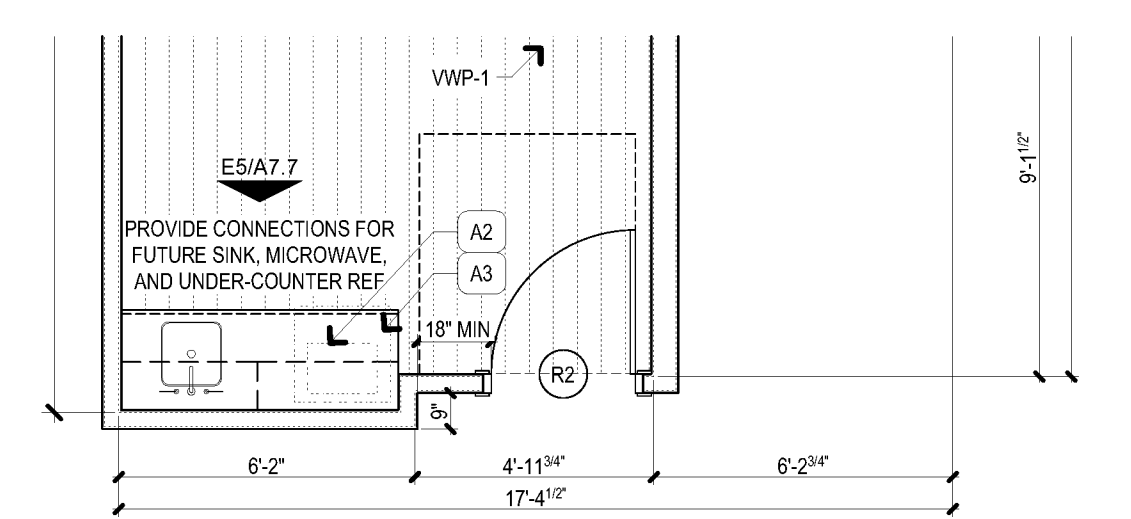
APPLIANCE SCHEDULE

REF #	APPLIANCE	LOCATION	MANUF.	MODEL #	DESCRIPTION	COLOR
A1	REFRIGERATOR	AL RESIDENT UNITS	Whirlpool	WRT1115FD	11 cu. ft. TOP FREEZER REFRIGERATOR	TBD
A2	MICROWAVE	RESIDENT UNITS	Whirlpool	WMIC10007A	0.7 cu. ft. COUNTERTOP	TBD
A3	UC REFRIGERATOR	MC RESIDENT UNITS				
A4	DRYER	MAIN LAUNDRY ROOM	UniMac	UT35	COMMERCIAL MODEL	STAINLESS
A5	WASHER	MAIN LAUNDRY ROOM	UniMac	UC30	COMMERCIAL MODEL	STAINLESS
A6	DRYER	RESIDENT LAUNDRY ROOMS			STACKABLE DRYER UNITS	TBD
A7	DRYER	RESIDENT LAUNDRY ROOMS	GE	GTV21ESSHW	7.0 cu. ft. ELECTRIC DRYER	WHITE
A8	WASHER	RESIDENT LAUNDRY ROOMS	GE	GTW460S1WW	4.2 cu. ft. ELECTRIC WASHER	WHITE
A9	GLASS RACKS (4)	ACT. KITCHEN 819			20" X 20"; SPEC FROM FOODSERVICE CONSULTANT	
A10	UC REFRIGERATOR	MED 722, 815, 927 CLEAN SUPPLY 823, CAFE 709				WHITE
A11	UC REFRIGERATOR	PUB 713			40" SIDE BY SIDE COOLER	TBD
A12	RANGE OVEN	ACT. KITCHEN 818, 819, DEMO AREA 912				TBD
A13	REFRIGERATOR	ACT. KITCHEN 818, 819, BREAKROOM 848	Whirlpool	WRS325FDAM	36" SIDE BY SIDE REFRIGERATOR	BLACK OR SS
A14	REFRIGERATOR	DEMO AREA 912			42" SIDE BY SIDE REFRIGERATOR	TBD
A15	MICROWAVE	ACT. KITCHEN 818, 819			BUILT-IN MICRO. W/ ABOVE HOOD	TBD

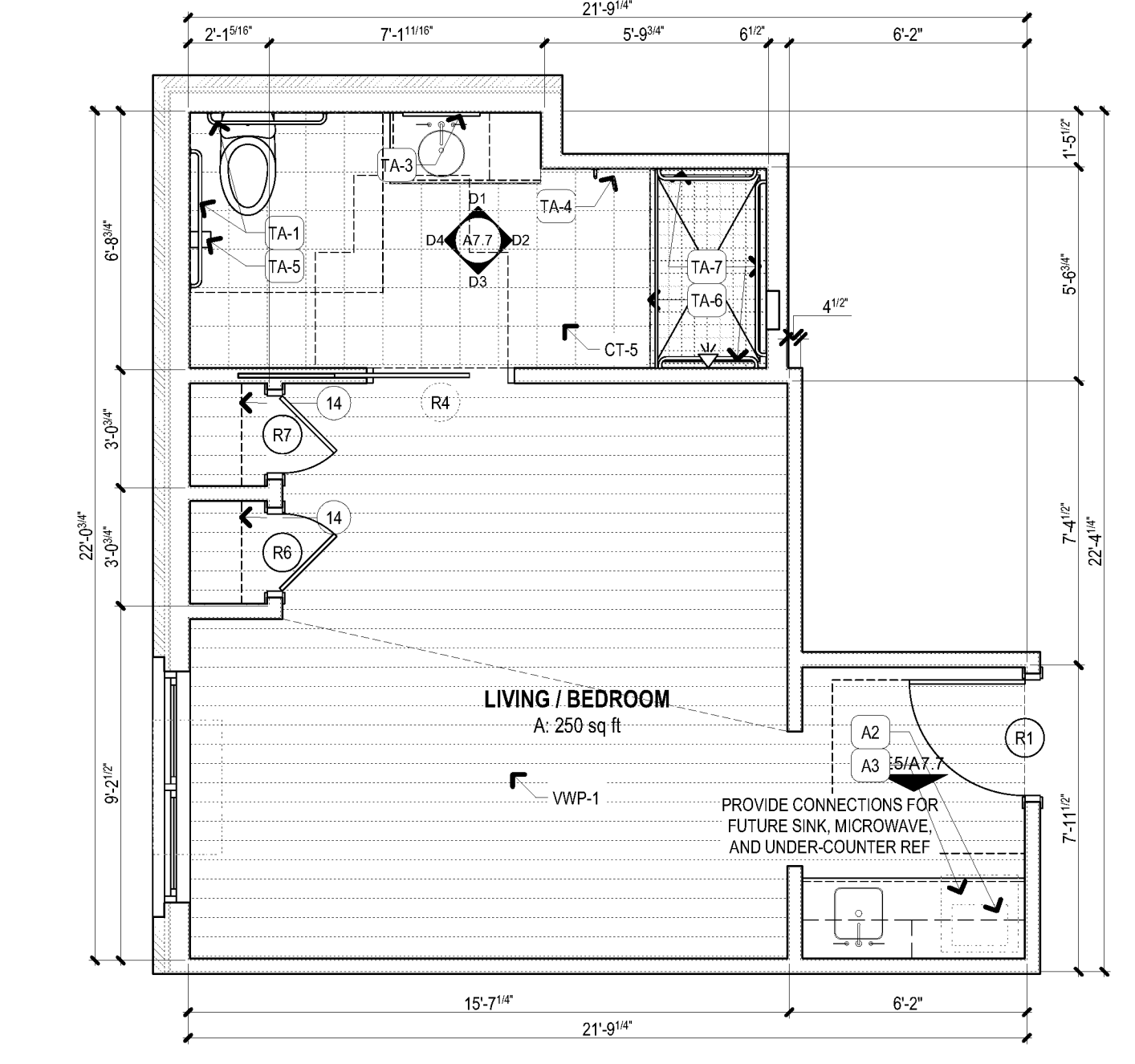
* SCHEDULE PER OWNER SPECS, VERIFY W/ OWNER



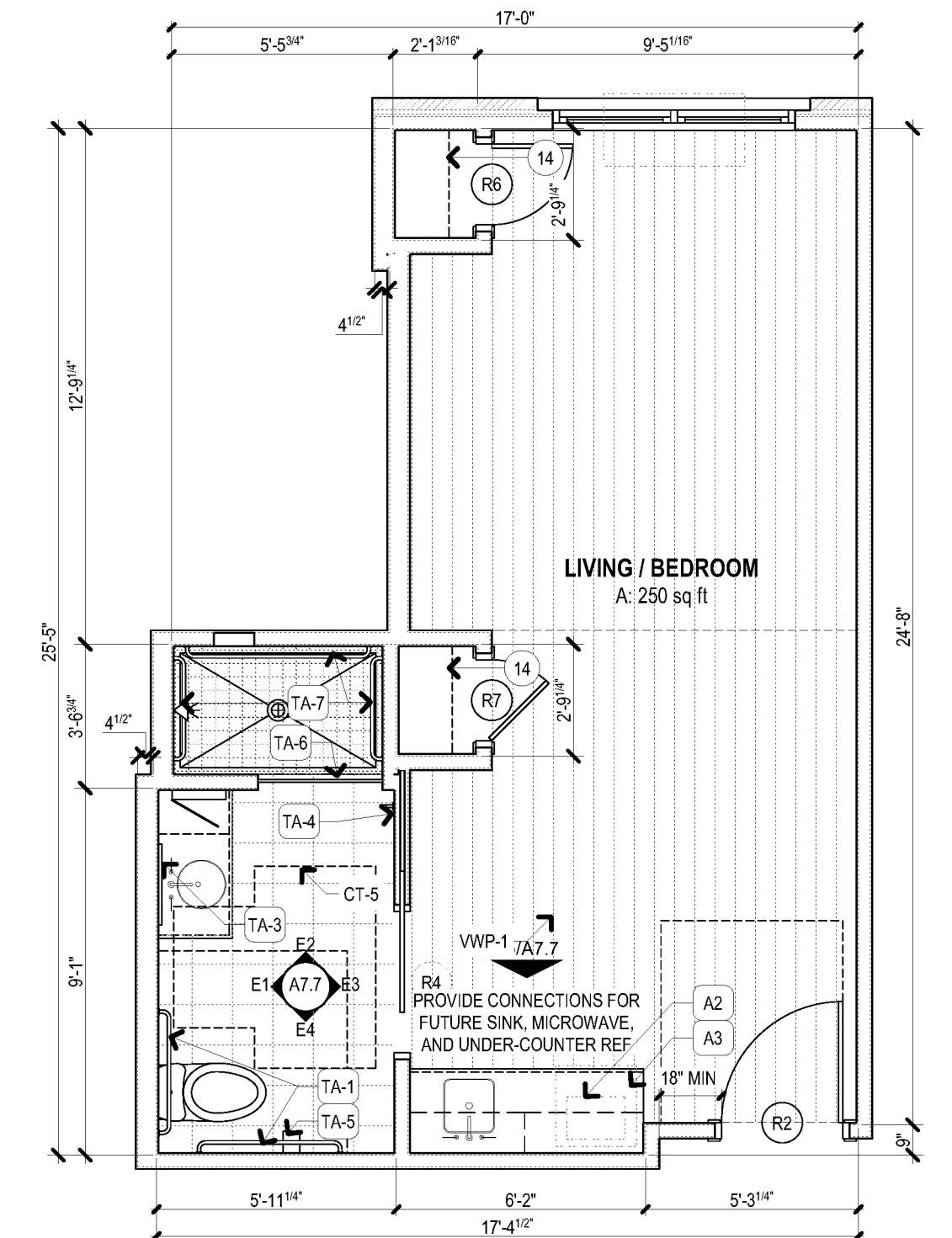
D1 UNIT PLAN : MC-A1.1 STUDIO
SCALE: 1/4" = 1'-0"



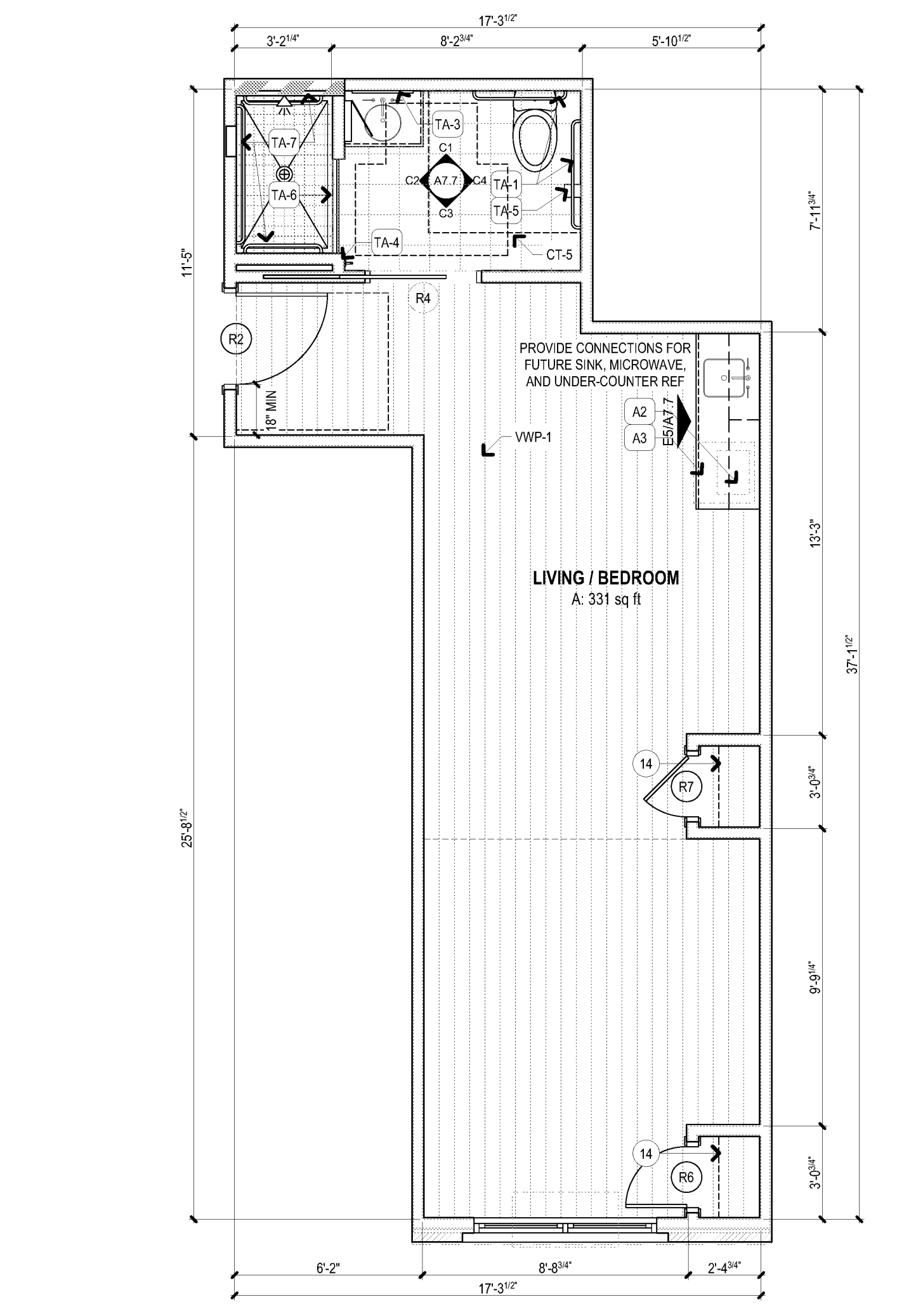
C1 UNIT PLAN : MC-A1.2 STUDIO
SCALE: 1/4" = 1'-0"



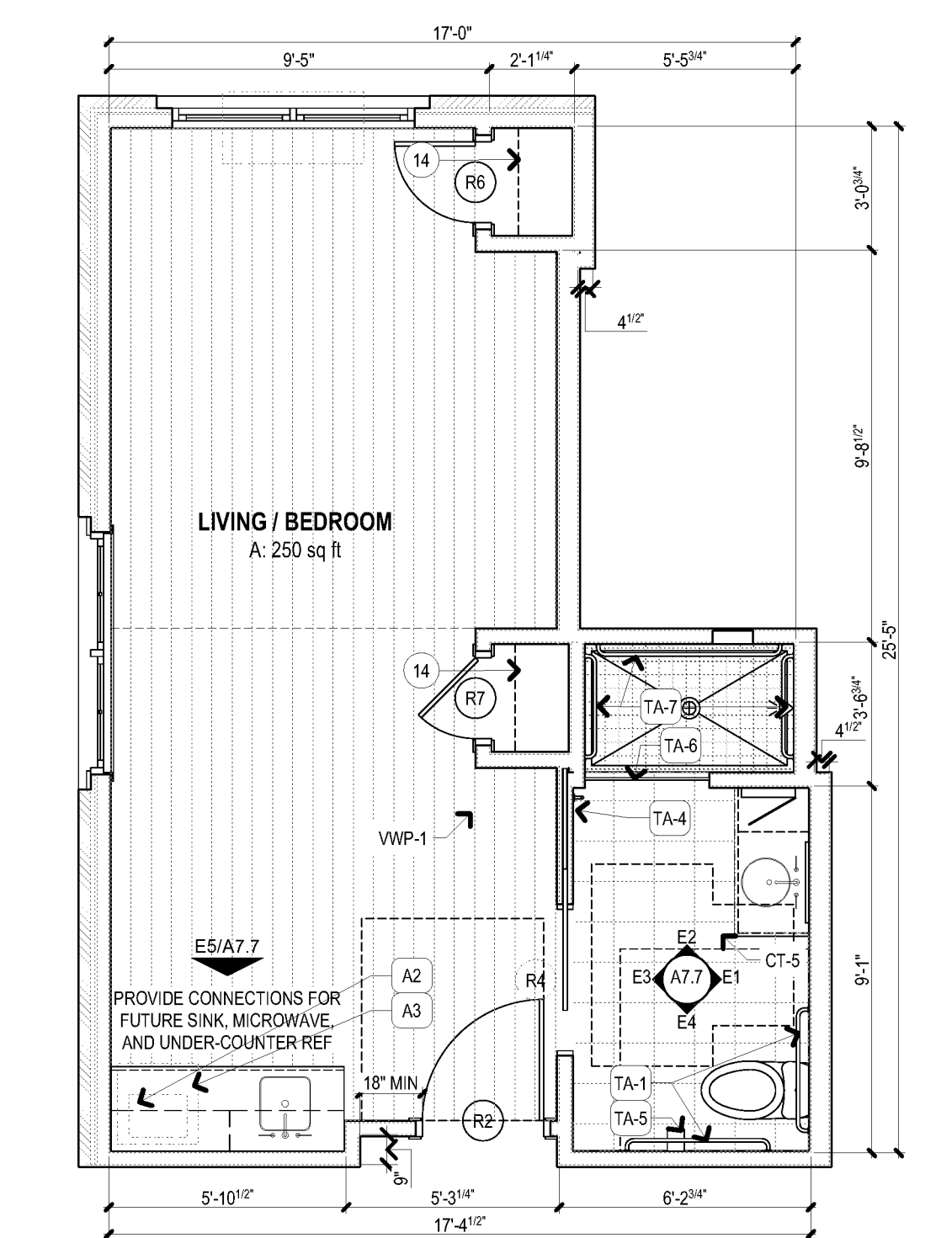
B1 UNIT PLAN : MC-A4 STUDIO
SCALE: 1/4" = 1'-0"



D2 UNIT PLAN : MC-A2 STUDIO
SCALE: 1/4" = 1'-0"



B2 UNIT PLAN : MC-A5 STUDIO
SCALE: 1/4" = 1'-0"



D3 UNIT PLAN : MC-A3 STUDIO
SCALE: 1/4" = 1'-0"