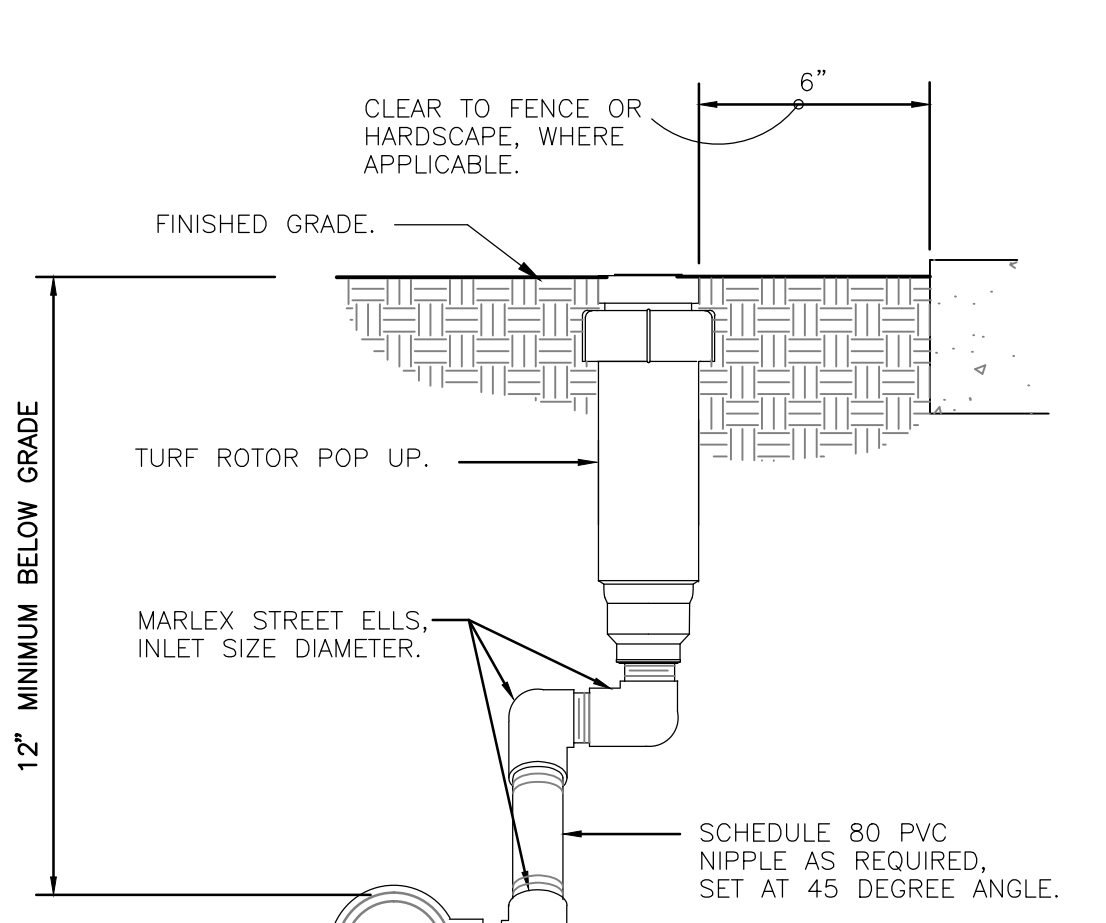
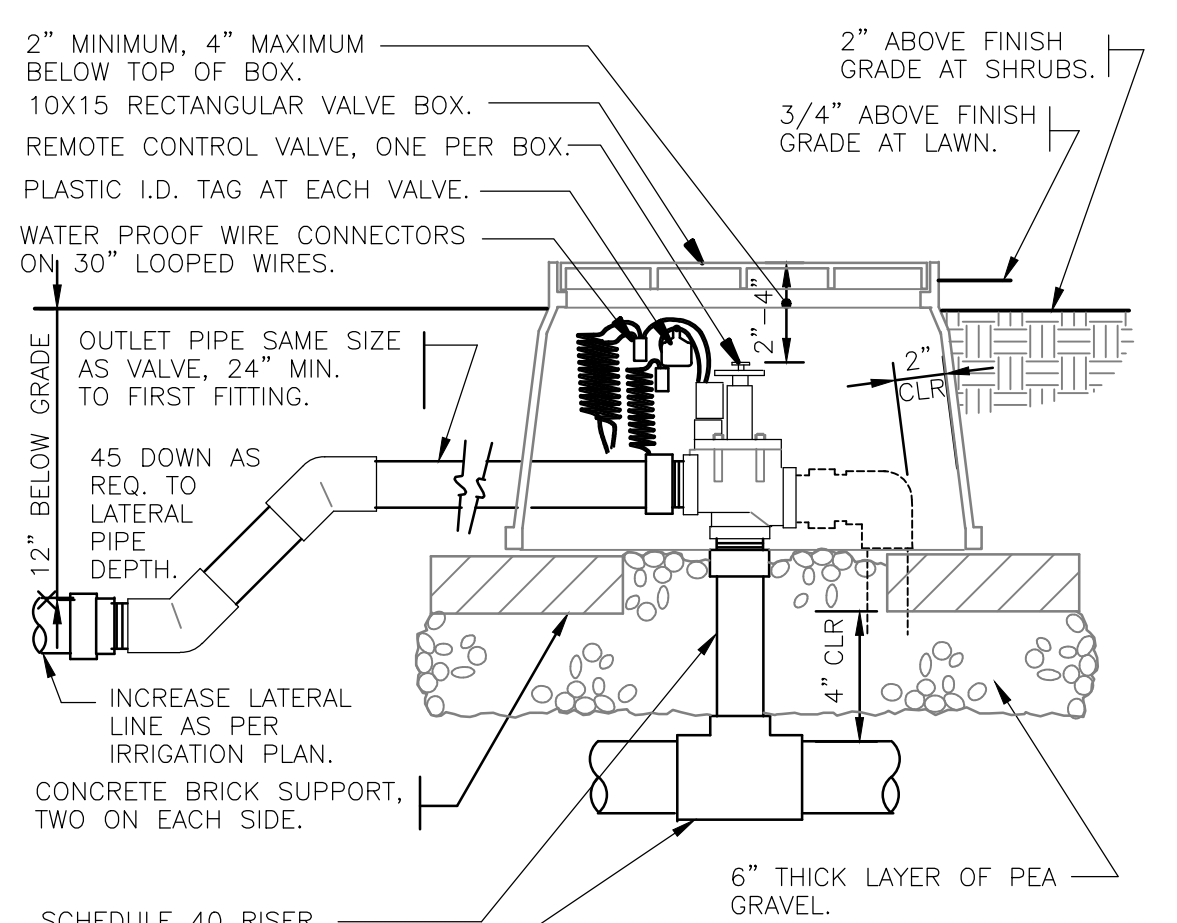


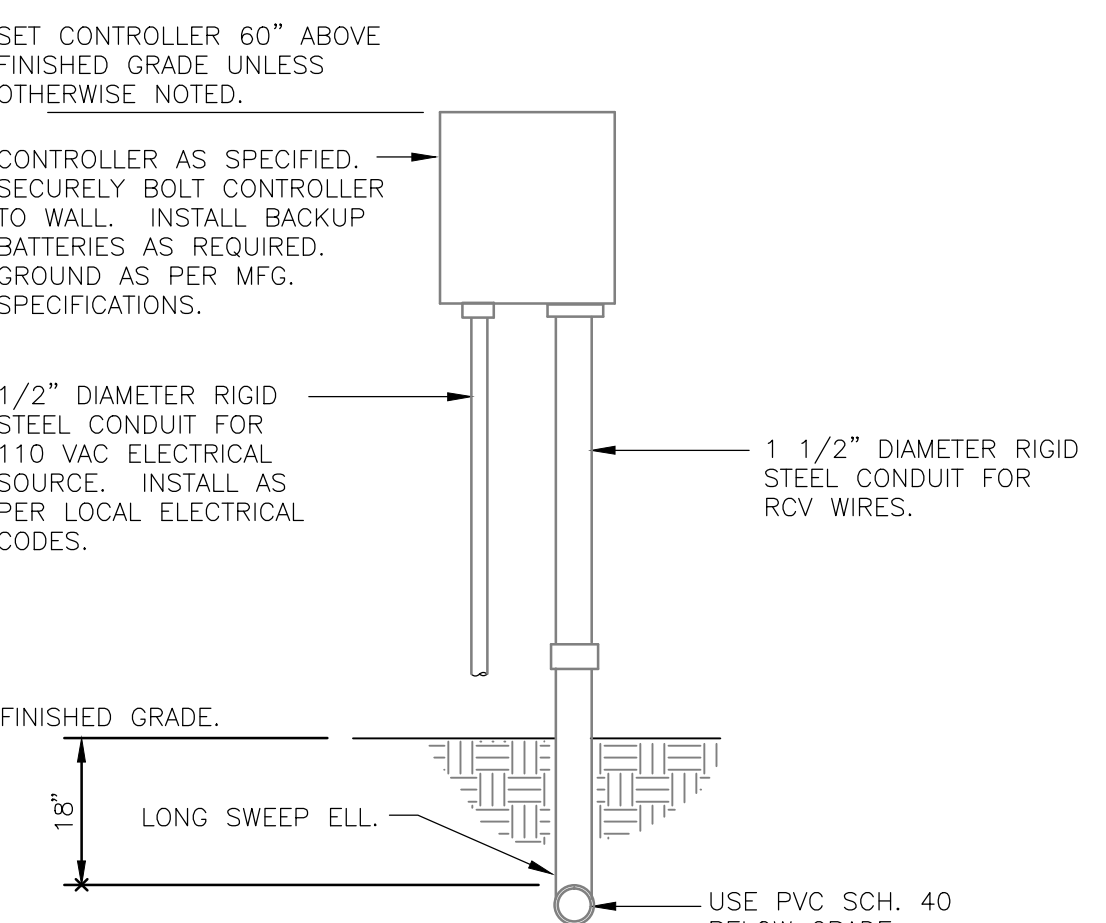
1 TURF SPRAY FLEX ASSEMBLY
3" = 1'-0" 328403.13-02



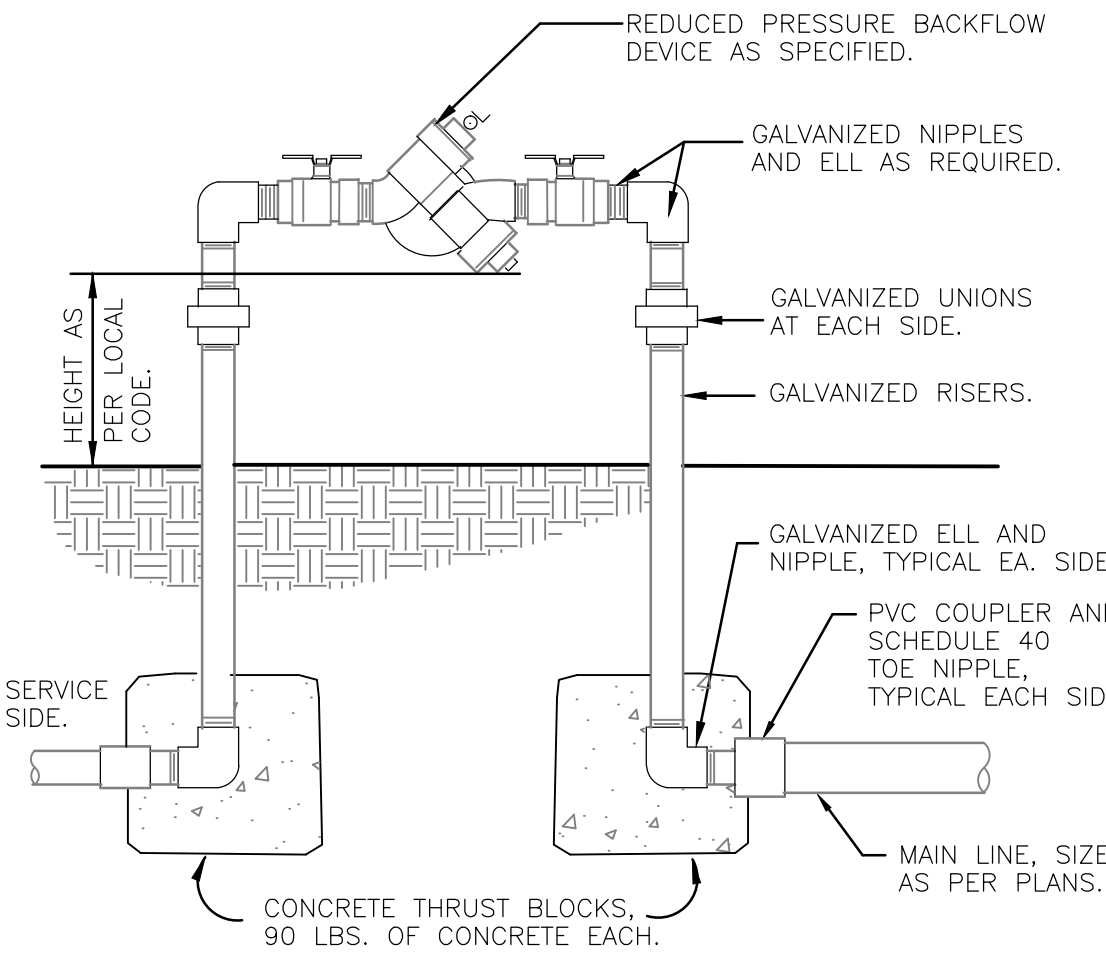
2 TURF ROTOR MARLEX ASSEMBLY
3" = 1'-0" 328403.16-01



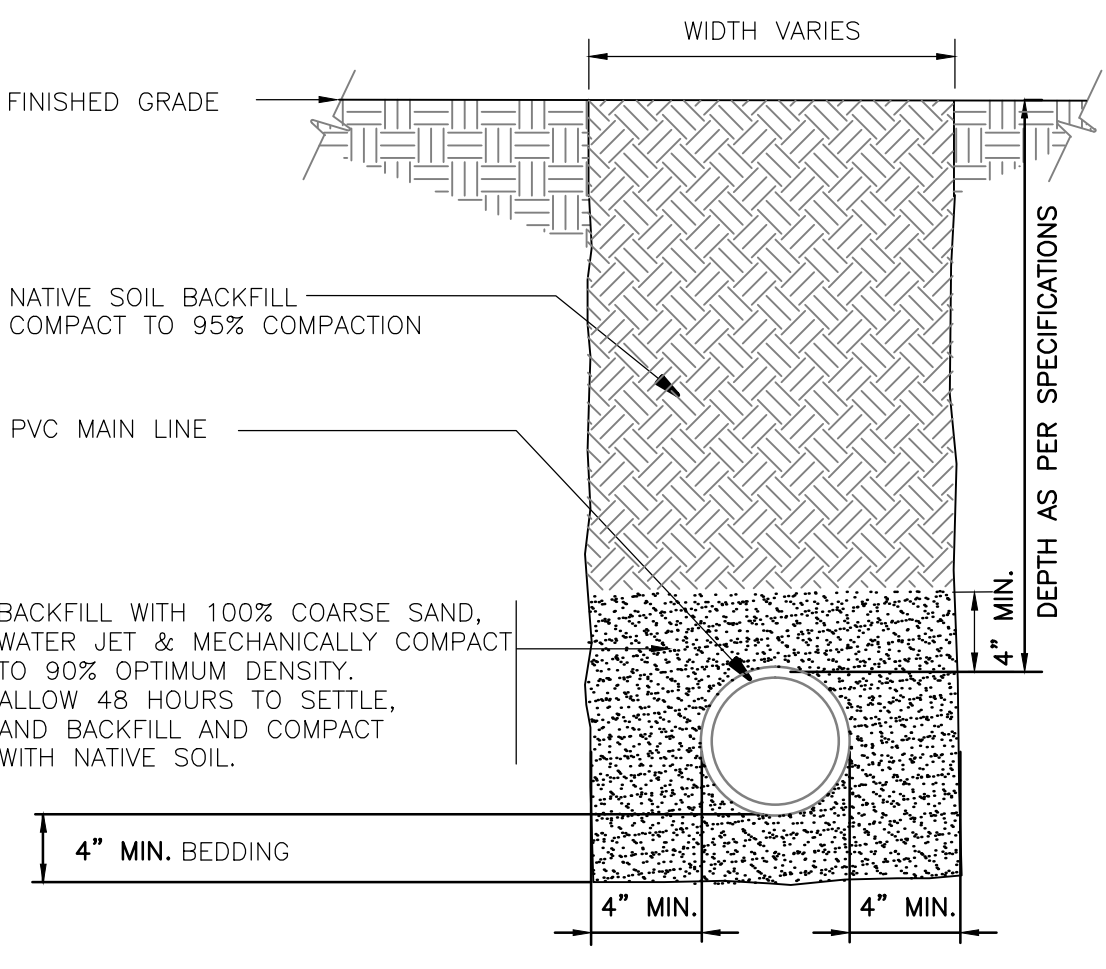
3 ELECTRIC REMOTE CONTROL VALVE
1 1/2" = 1'-0" 328406.13-01



4 WALL MOUNT CONTROLLER
1" = 1'-0" 328409.13-01



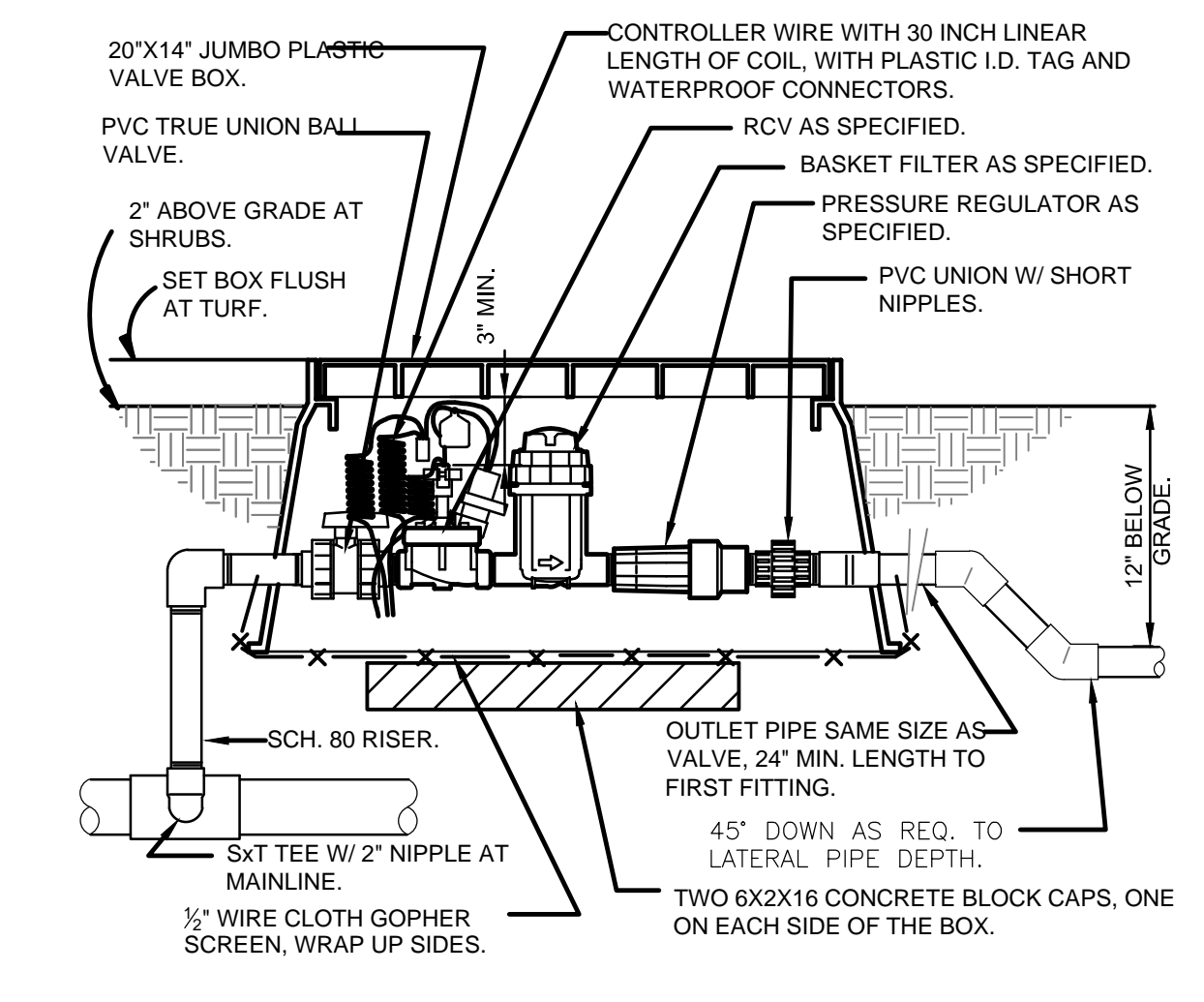
5 REDUCED PRESSURE BACKFLOW DEVICE
1" = 1'-0" 328409.43-01



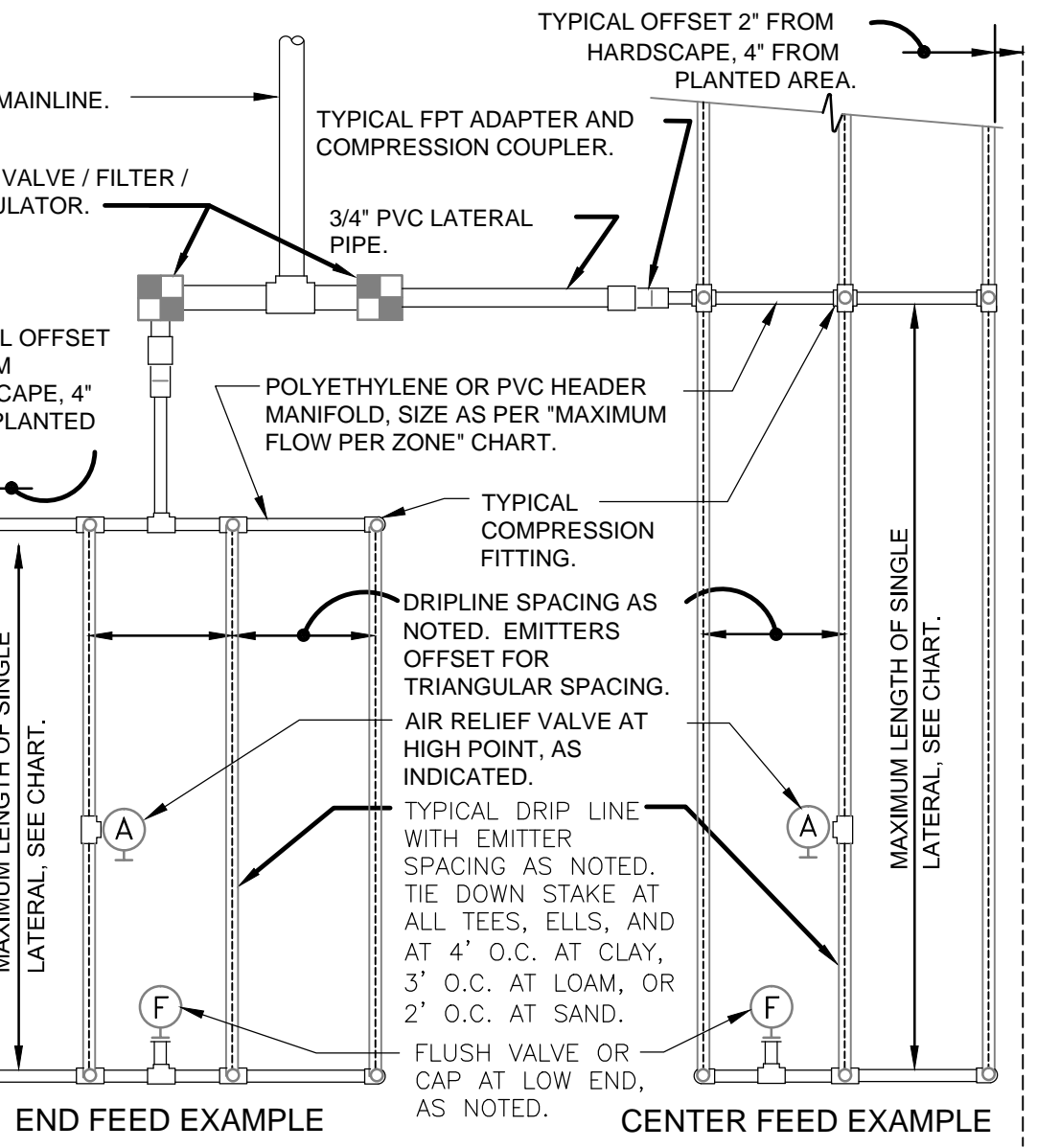
6 MAINLINE WITH SAND BEDDING
1 1/2" = 1'-0" 328409.76-03

VALVE SCHEDULE

NUMBER	MODEL	SIZE	TYPE	PSI	PSI @ POC	GPM	PRECIP
1	Rain Bird PGA Globe	1-1/2"	Turf Rotor	44.58	59.89	33.28	0.45 in/h
2	Rain Bird XCZ-150-PRB-COM	1-1/2"	Area for Dripline	59.50	72.18	7.65	0.45 in/h
3	Rain Bird PGA Globe	1-1/2"	Turf Rotor	43.35	56.99	17.92	0.45 in/h
4	Rain Bird PGA Globe	1-1/2"	Turf Rotor	44.60	60.63	29.68	0.47 in/h
5	Rain Bird PGA Globe	1-1/2"	Turf Rotor	45.01	61.32	35.06	0.52 in/h
6	Rain Bird PGA Globe	1-1/2"	Turf Spray	39.52	64.22	51.26	1.84 in/h
7	Rain Bird PGA Globe	1-1/2"	Turf Spray	41.67	63.49	51.55	1.51 in/h
8	Rain Bird XCZ-150-PRB-COM	1-1/2"	Area for Dripline	52.66	65.93	11.78	0.45 in/h
9	Rain Bird PGA Globe	1-1/2"	Turf Spray	35.16	47.71	22.05	1.27 in/h
10	Rain Bird PGA Globe	1"	Turf Spray	38.58	51.06	9.24	1.52 in/h
11	Rain Bird PGA Globe	1-1/2"	Turf Rotor	38.79	51.21	8.35	0.70 in/h
12	Rain Bird PGA Globe	1-1/2"	Turf Rotor	42.24	54.27	17.82	0.62 in/h
13	Rain Bird XCZ-150-PRB-COM	1-1/2"	Area for Dripline	50.33	62.39	14.54	0.45 in/h
14	Rain Bird PGA Globe	1-1/2"	Turf Spray	38.49	53.31	38.94	1.42 in/h
15	Rain Bird PGA Globe	1-1/2"	Turf Spray	37.08	52.79	36.33	1.47 in/h
16	Rain Bird PGA Globe	1-1/2"	Turf Spray	40.32	59.33	44.59	3.35 in/h
17	Rain Bird XCZ-150-PRB-COM	1-1/2"	Area for Dripline	51.10	63.30	6.55	0.45 in/h



7 1" DRIP VALVE W/BASKET FILTER
1 1/2" = 1'-0" 328413.76-26



8 TYPICAL RAIN BIRD DRIPLINE REQUIREMENTS
N.T.S.

MAXIMUM LATERAL LENGTH (FEET)

PSI	EMITTER FLOW RATE, GPH			
	12" SPACING 0.6 0.9	18" SPACING 0.6 0.9	24" SPACING 0.6 0.9	
10	125 96	175 135	218 171	
20	249 191	350 171	442 340	
30	307 236	434 333	550 422	
40	350 268	495 380	627 171	
50	125 96	175 135	218 171	
60	125 96	175 135	218 171	

GRID PRECIPITATION RATES (IN/HR)

EMITTER SPACING	LATERAL SPACING		EMITTER FLOW RATE	
	12"	18"	0.6	0.9
12	12	0.96	1.44	
18	18	0.69	1.03	
24	24	0.28	0.41	

LATERAL FLOW PER 100 FT (GPM)

EMITTER FLOW	18" SPACING			24" SPACING		
	1.0 GPM	0.67 GPM	0.50 GPM	1.0 GPM	0.75 GPM	
0.6 GPH	1.0 GPM	0.67 GPM	0.50 GPM	1.0 GPM	0.75 GPM	
0.9 GPH	1.5 GPM	1.0 GPM	0.75 GPM			

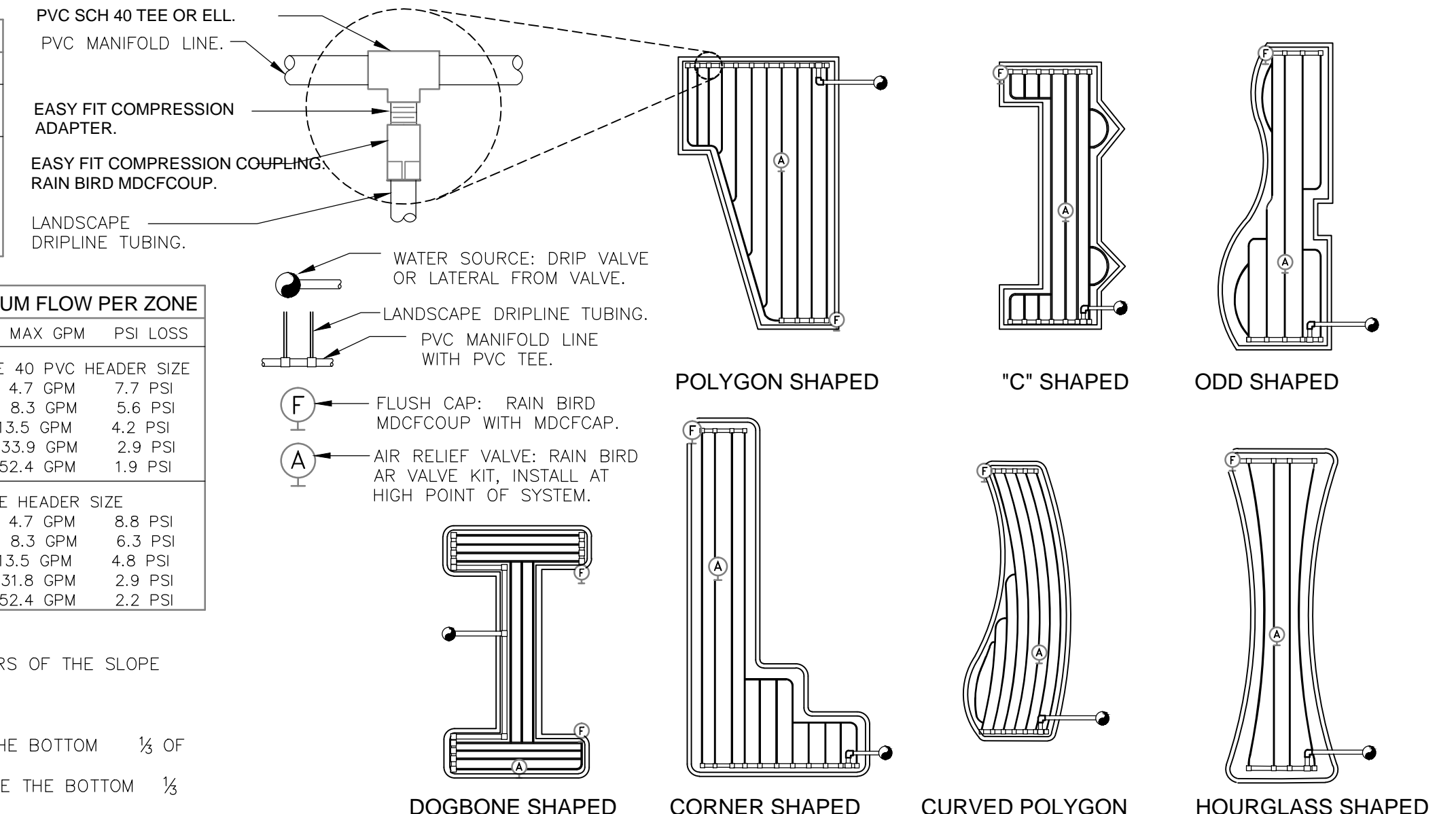
MAXIMUM FLOW PER ZONE

SCHEDULE 40 PVC HEADER SIZE	MAX GPM	PSI LOSS
1/2"	4.7 GPM	7.7 PSI
3/4"	8.3 GPM	5.6 PSI
1"	13.5 GPM	4.2 PSI
1-1/2"	33.9 GPM	2.9 PSI
2"	52.4 GPM	1.9 PSI

POLY PIPE HEADER SIZE

EMITTER FLOW	1/2"	3/4"	1"	1-1/2"	2"
4.7 GPM	4.7 GPM	8.8 PSI			
8.3 GPM	8.3 GPM	6.3 PSI			
13.5 GPM	13.5 GPM	4.8 PSI			
31.8 GPM	31.8 GPM	2.9 PSI			
52.4 GPM	52.4 GPM	2.2 PSI			

- SLOPED CONDITION NOTE:
1. DRIPLINE LATERALS SHOULD FOLLOW THE CONTOURS OF THE SLOPE WHENEVER POSSIBLE.
 2. INSTALL AIR RELIEF VALVE AT HIGHEST POINT.
 3. NORMAL SPACING WITHIN THE TOP 2/3 OF SLOPE.
 4. INSTALL DRIPLINE AT 25% GREATER SPACING AT THE BOTTOM 1/3 OF THE SLOPE.
 5. WHEN ELEVATION CHANGE IS 10 FT OR MORE, ZONE THE BOTTOM 1/3 ON A SEPARATE VALVE.



Client:
CONCORDIS DEVELOPMENT
BATON ROUGE, LLC
432 BUIEBONNET BLVD,
BATON ROUGE, LA 70809

Project:
SIEGEN LANE ASSISTED
LIVING COMMUNITY
SIEGEN LANE
BATON ROUGE, LOUISIANA

Title:
IRRIGATION SCHEDULE AND DETAILS

Description:
LOCATED IN:
SECTION 37 TOWNSHIP 8 SOUTH RANGE 1 EAST,
GREENSBURG LAND DISTRICT,
EAST BATON ROUGE PARISH, LOUISIANA

DWG Path: C:\Users\Mike\Desktop\Personal\Senior Living Irrigation\Irrigation_Revise.dwg



QUALITY
Engineering & Surveying, LLC
18350 Hwy 42, Port Vincent, LA 70726
TEL: 225-698-1600 FAX: 225-698-3367
www.QESLA.com



Date: APRIL 2016

Project No.: 14-137

Drawn By: MLP