

Client: CONCORDIS DEVELOPMENT  
 BATON ROUGE, LLC  
 4321 BELLEVUE BLVD.  
 BATON ROUGE, LA 70809

Project: SIEGEN LANE ASSISTED  
 LIVING COMMUNITY  
 BATON ROUGE, LOUISIANA

Title: PUMP STATION DETAILS

Description: LOCATED IN SECTION 37, TOWNSHIP 8 SOUTH, RANGE 1 EAST, GREENSBURG LAND DISTRICT, EAST BATON ROUGE PARISH, LOUISIANA

DWG Path: P:\14-137 Concordis Senior Living - Siegen Lane\Drawings\Engineering\Plans\Current\14137\_10\_PS.dwg



**QUALITY**  
 Engineering & Surveying, LLC  
 18350 Hwy 42, Port Vincent, LA 70726  
 TEL 225-698-1600 FAX 225-698-3367  
 www.QESLA.com

Stamp: DERIC J. MURPHY  
 License No. 28602  
 PROFESSIONAL ENGINEER  
 IN  
 CIVIL ENGINEERING

Date: APRIL 2016

Project No.: 14-137

Drawn By: BSB

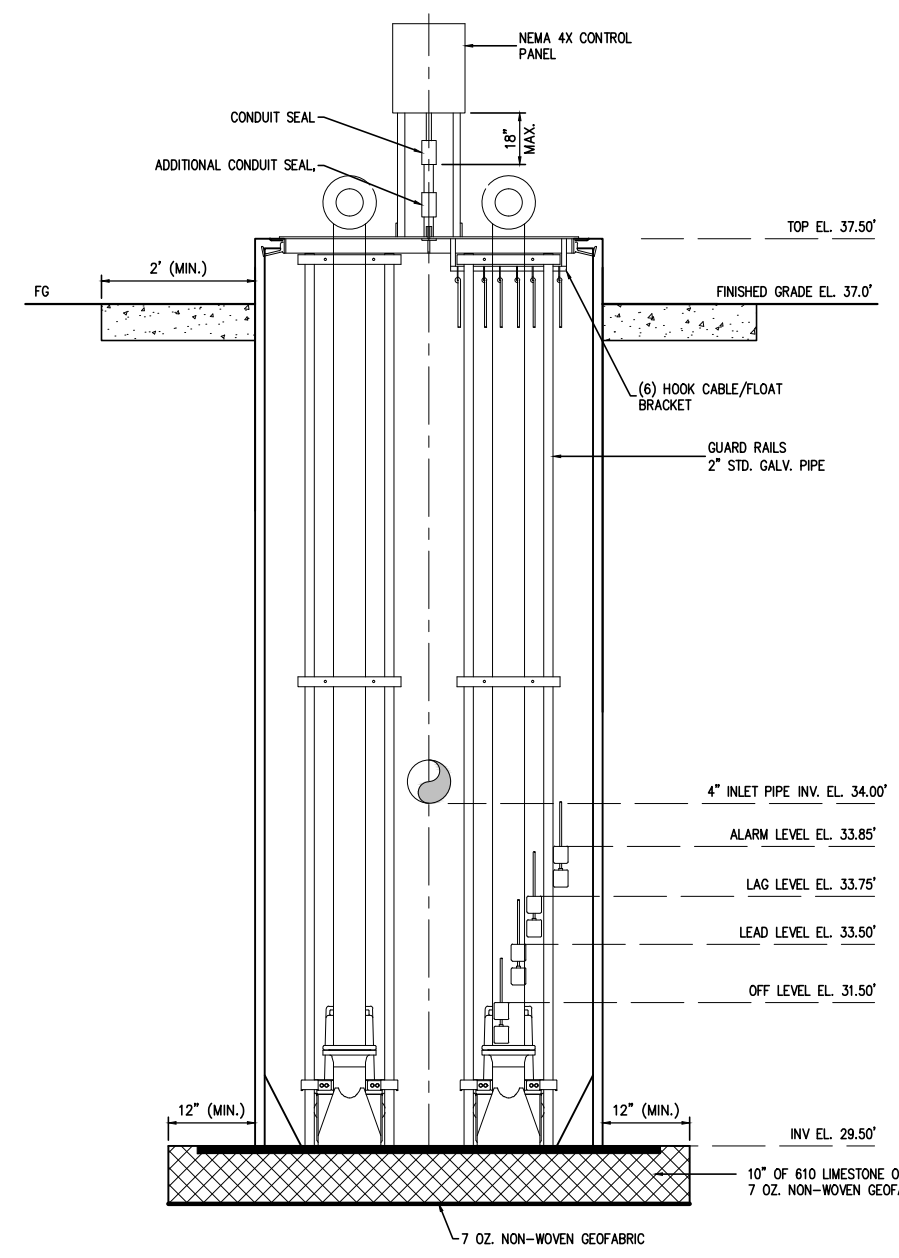
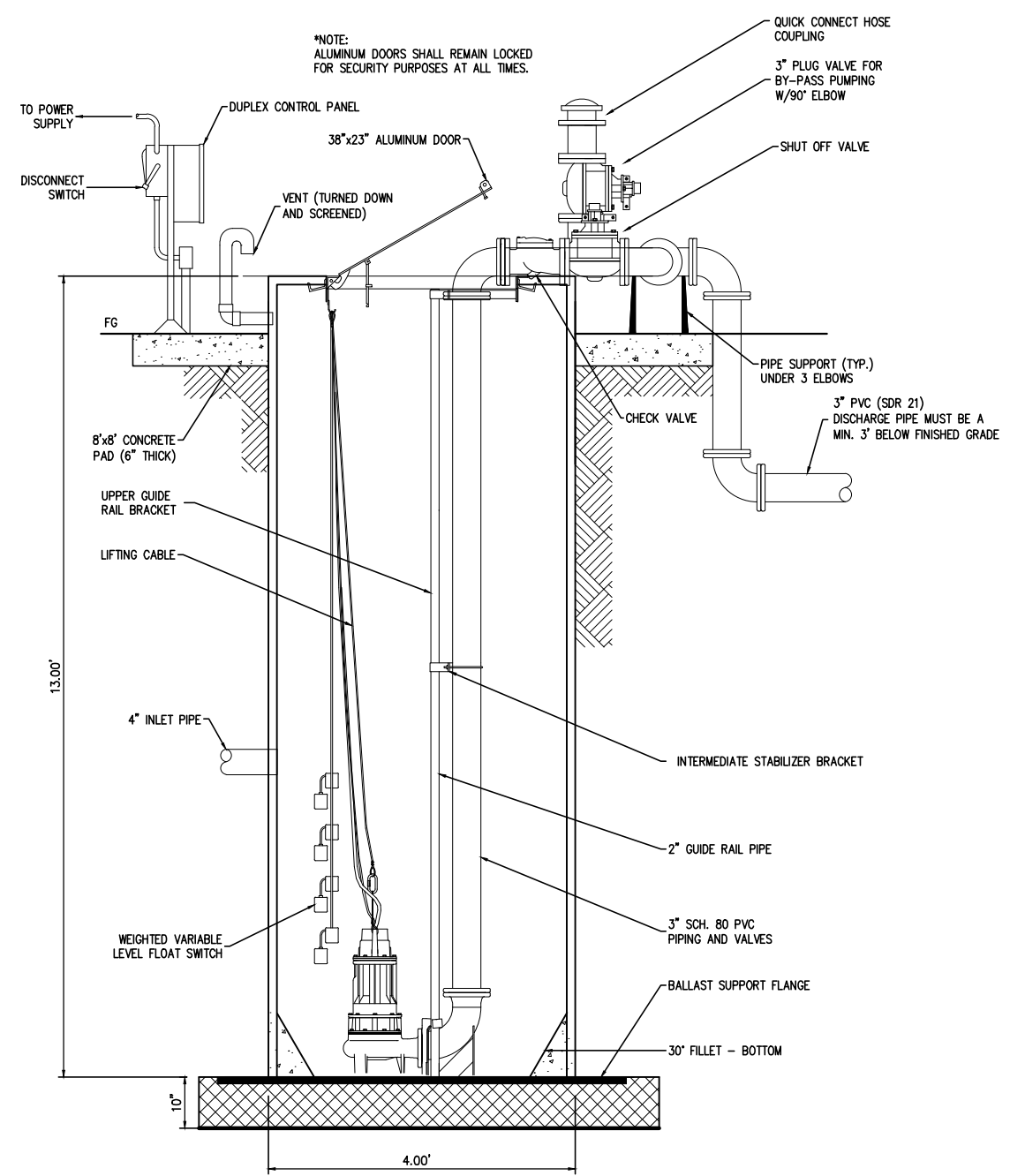
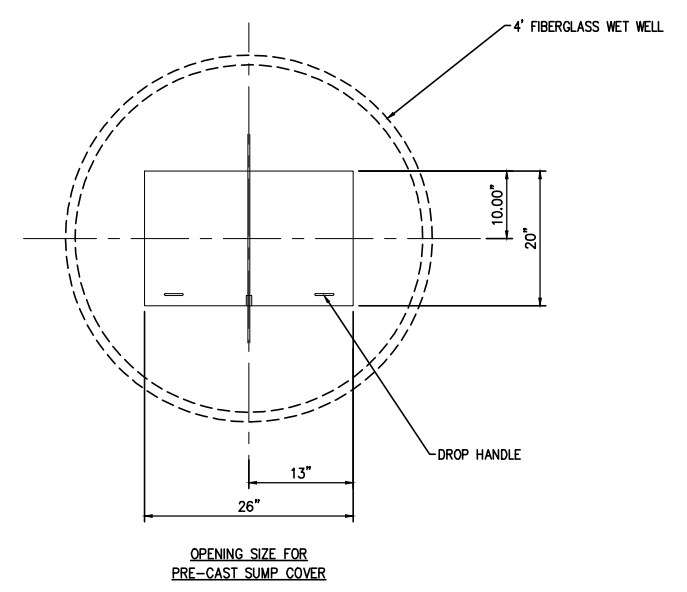
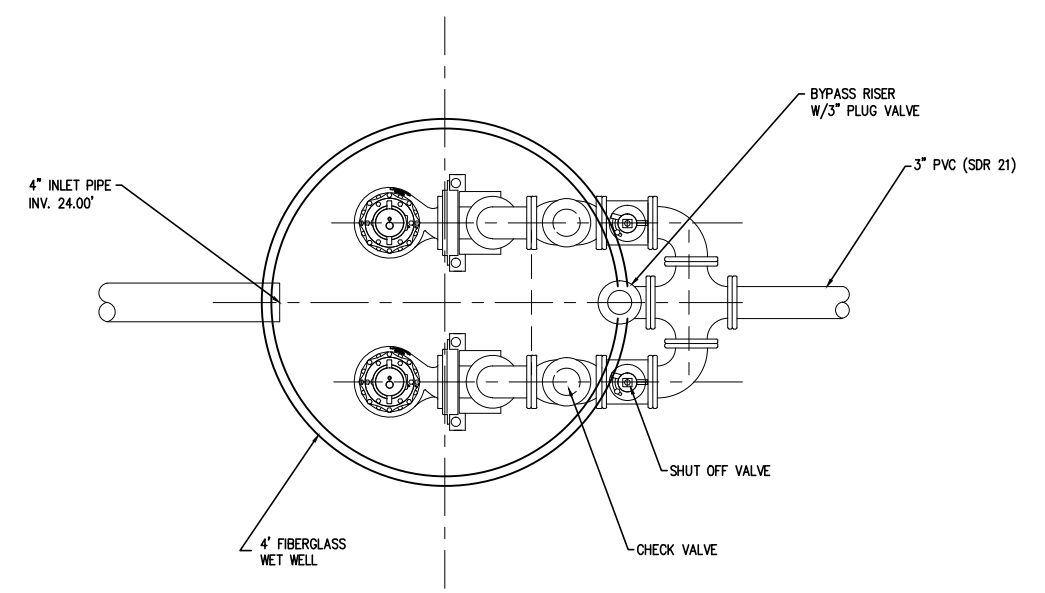
Sheet: 9 OF 15

**PUMP STATION DESIGN DATA**

AVG. FLOW 19,000 G.P.D.  
 DESIGN PUMPING RATE PER PUMP, 53.0 G.P.M.  
 FORCE MAIN SIZE: 3"  
 TOTAL DYNAMIC HEAD (T.D.H.) 18.8 FT  
 DESIGN PER LOCAL CODE

**PUMP STATION DATA**

TWO 3 HP (MIN.) PUMPS  
 CAPACITY (OPERATING POINT): 53 G.P.M. @ 18.8' T.D.H.  
 MANUFACTURER: KEEN (OR EQUAL)  
 PUMP MODEL: K3RN(V) (3 PHASE) (OR EQUAL)  
 IMPELLER: 7.00" DIA. RECESSED  
 DISCHARGE SIZE: 3"  
 SOLIDS PASSING SIZE: 3"  
 RPM: 1150  
 VOLTAGE: 230  
 HERTZ: 60 Hz  
 AMPS: 20.5 A



**PERMIT SET  
 NOT FOR CONSTRUCTION**