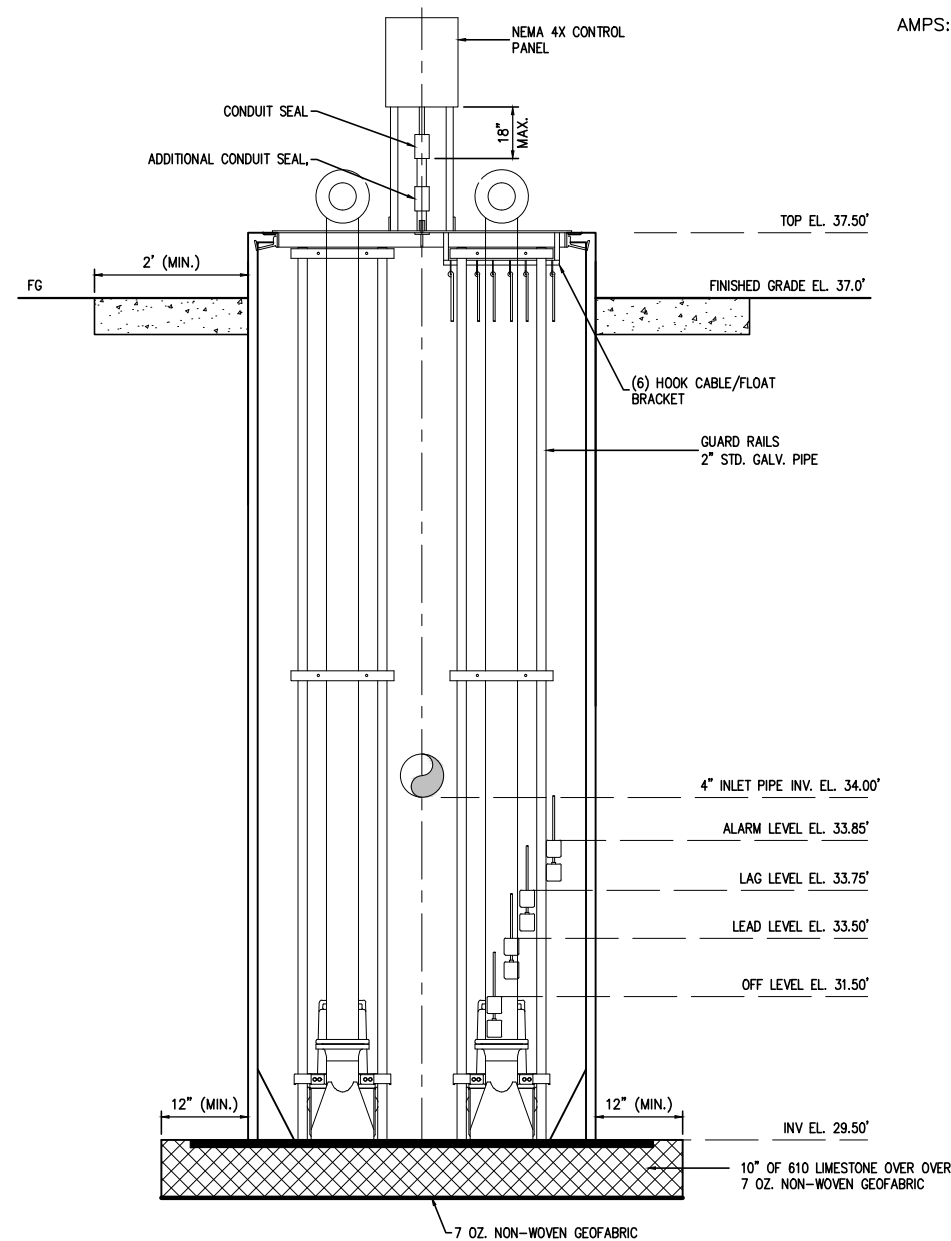
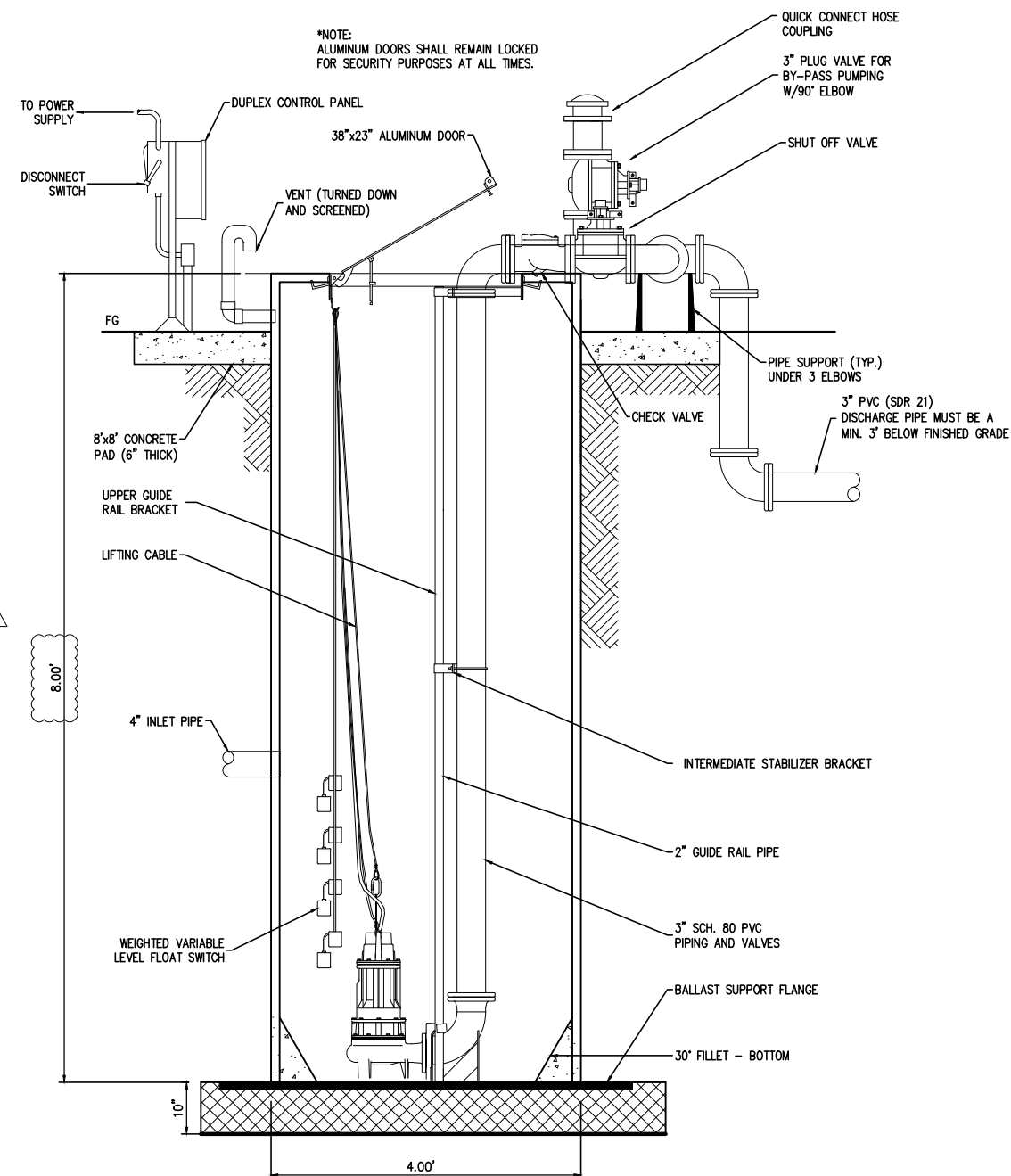
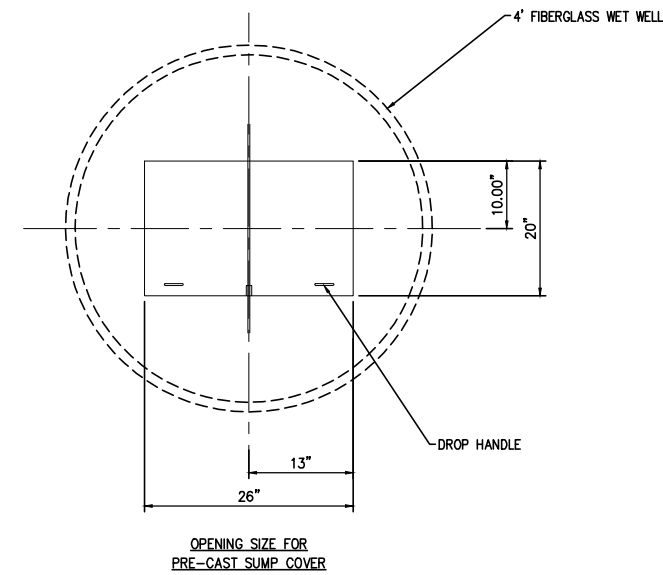
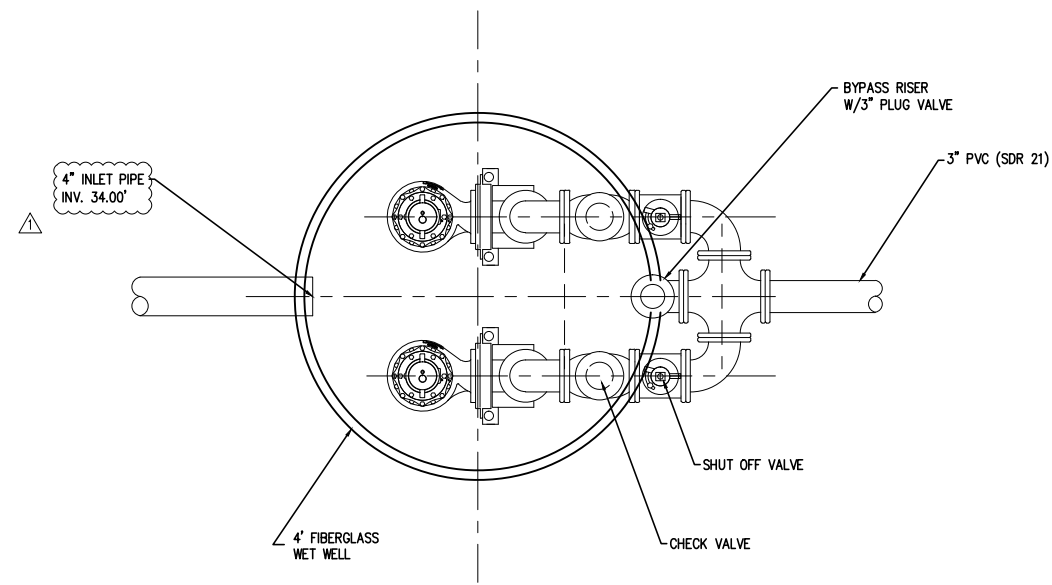


PUMP STATION DESIGN DATA

AVG. FLOW 19,000 G.P.D.
 DESIGN PUMPING RATE PER PUMP, 53.0 G.P.M.
 FORCE MAIN SIZE: 3"
 TOTAL DYNAMIC HEAD (T.D.H.) 18.8 FT
 DESIGN PER LOCAL CODE

PUMP STATION DATA

TWO 3 HP (MIN.) PUMPS
 CAPACITY (OPERATING POINT): 53 G.P.M. @ 18.8' T.D.H.
 MANUFACTURER: KEEN (OR EQUAL)
 PUMP MODEL: K3RN(V) (3 PHASE) (OR EQUAL)
 IMPELLER: 7.00" DIA. RECESSED
 DISCHARGE SIZE: 3"
 SOLIDS PASSING SIZE: 3"
 RPM: 1150
 VOLTAGE: 230
 HERTZ: 60 Hz
 AMPS: 20.5 A



REVISD 4/18/16 TO CORRECT INLET PIPE ELEVATION AND DEPTH OF WETWELL DIMENSION

**PERMIT SET
 NOT FOR CONSTRUCTION**

Client: CONCORDIS DEVELOPMENT
 BATON ROUGE, LLC
 4321 BELLEVUE BLVD
 BATON ROUGE, LA 70809

Project: SIEGEN LANE ASSISTED
 LIVING COMMUNITY
 BATON ROUGE, LOUISIANA

Title: PUMP STATION DETAILS

Description: LOCATED IN SECTION 37, TOWNSHIP 8 SOUTH, RANGE 1 EAST, GREENSBURG LAND DISTRICT, EAST BATON ROUGE PARISH, LOUISIANA

DWG Path: P:\14-137 Concordis Senior Living - Siegen Lane\Drawings\Engineering\Plans\Current\14137_10_PS.dwg

QUALITY
 Engineering & Surveying, LLC
 18350 Hwy 42, Port Vincent, LA 70726
 TEL 225-698-1600 FAX 225-698-3367
 www.QESLA.com

Stamp: DERIC J. MURPHY
 License No. 28602
 PROFESSIONAL ENGINEER
 IN
 CIVIL ENGINEERING

Date: APRIL 2016
 Project No.: 14-137
 Drawn By: BSB
 Sheet: 9 OF 15