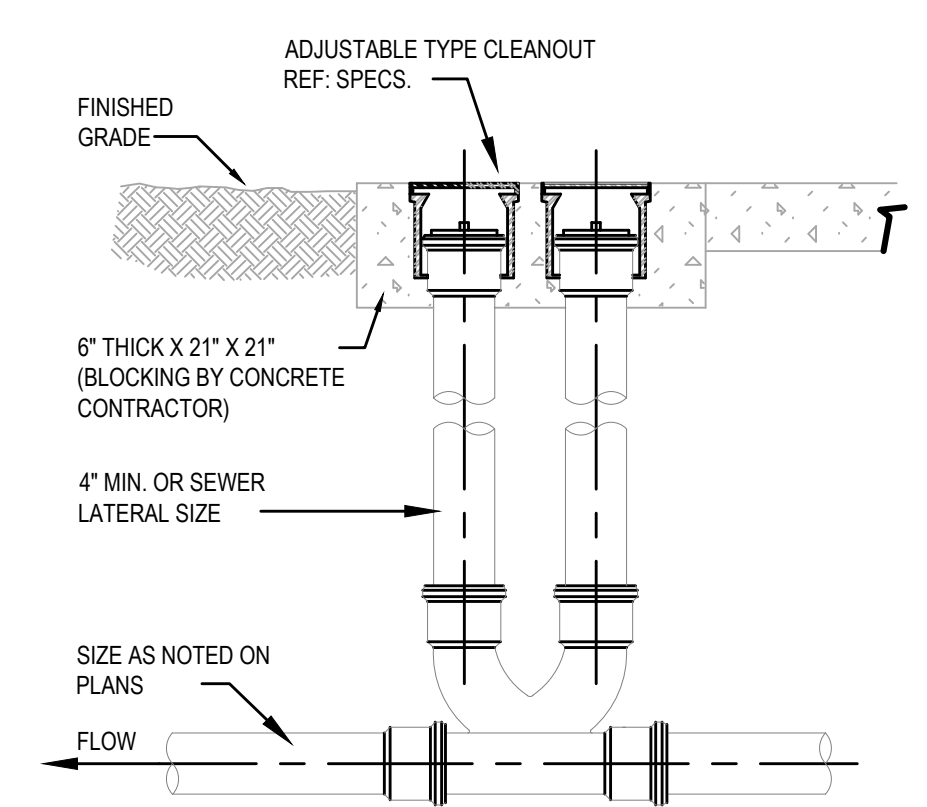
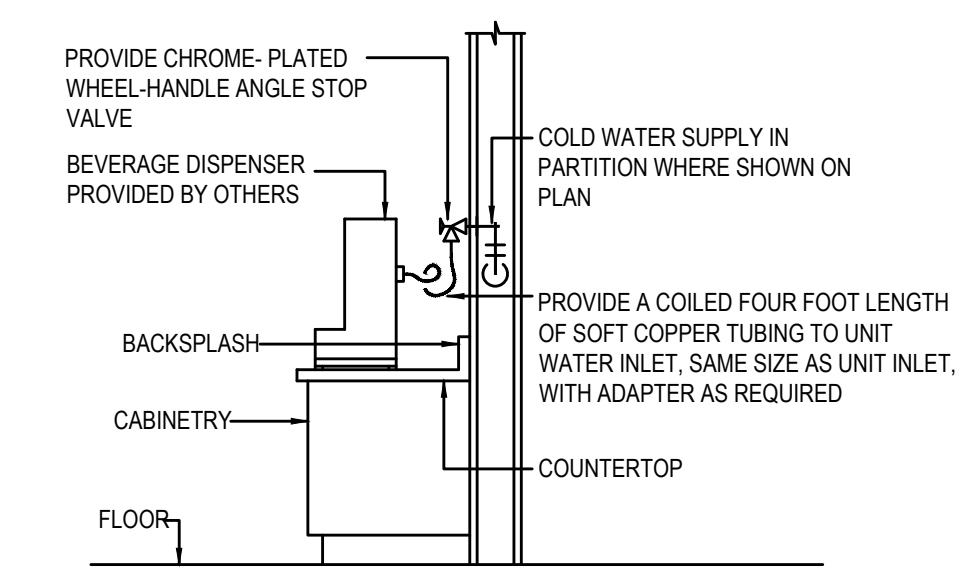


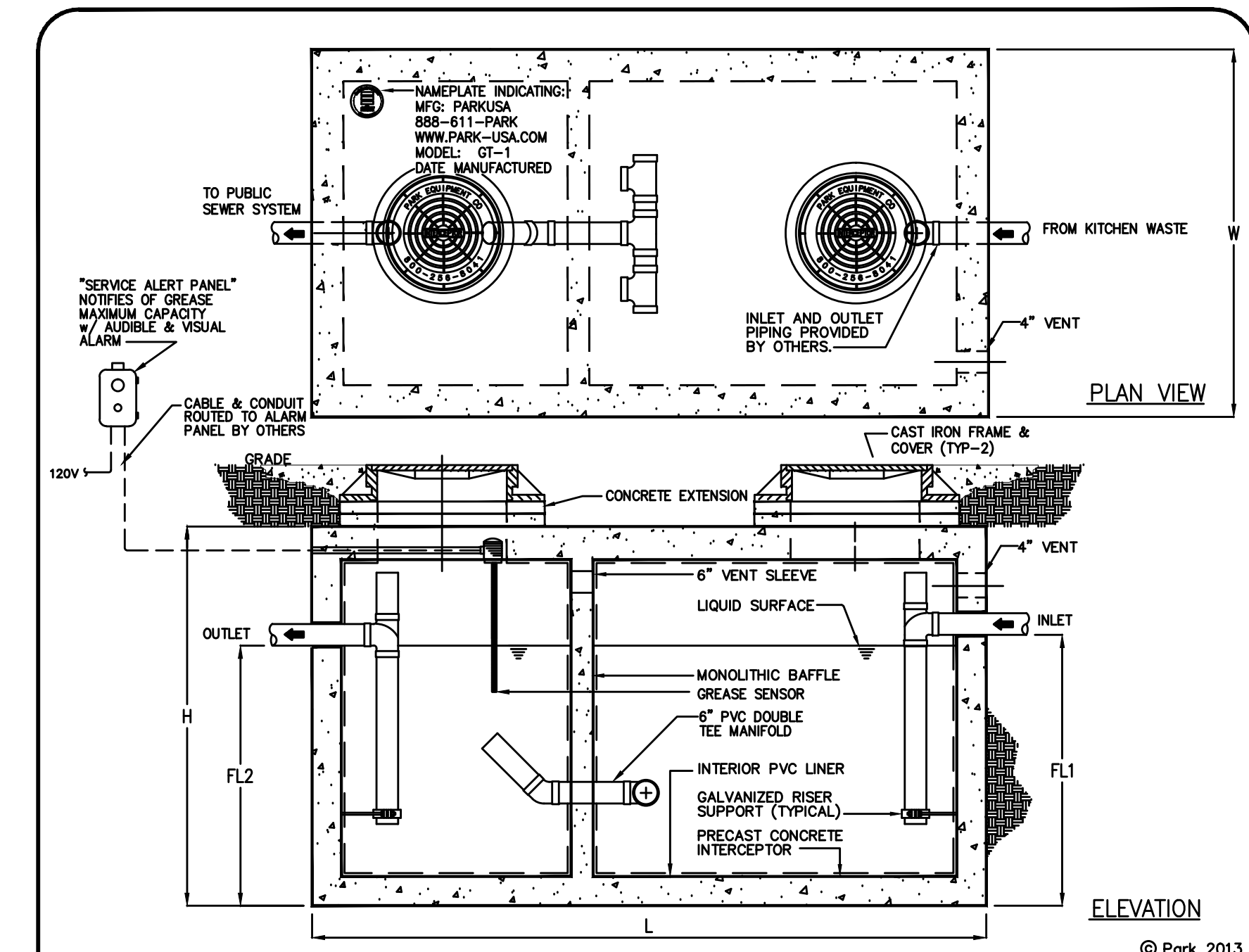
BIM Server: Server2012 - BIM Server (18.0)/14017 Concorville Baton Rouge | Ver: 18.001 | Wednesday, September 02, 2015 | 4:04 PM



5 | TWO-WAY CLEAN OUT DETAIL
P7.2 | N.T.S.



6 | BEVERAGE DISPENSER WATER
P7.2 | N.T.S.



Grease Trooper

Typical applications include commercial and industrial food service kitchens where excessive grease may interfere with the proper drainage of the sewer system. The grease interceptor is generally buried below grade for gravity flow sewer systems. A sample well is utilized on the outlet side for sampling by the local water authority.

Specifications
 CONCRETE: Class 1/2 concrete with design strength of 4000 PSI at 28 days. Unit is of monolithic construction of floor, first stage of wall and baffle with sectional riser to required depth. Monolithic baffle required, slide-in type is not acceptable.
 REINFORCEMENT: Grade 60 rebar with steel rebar conforming to ASTM A615 on required centers or equal.
 C.I. CASTINGS: Manhole frames, covers or grates are manufactured of grey cast iron conforming to ASTM A48-76 Class 30. Manhole shall be nominal 24 inch diameter and be traffic duty.

Engineering Data
 The grease interceptor is structurally & hydraulically engineered to conform to UPC and regional plumbing codes recommended in most cities. Consult with local authorities for specific application requirements.
 Shop drawings shall include complete structural & buoyancy calculations certified by a licensed professional engineer upon request.
 Consult with Park Equipment Company for exact excavation dimensions & shipping information.

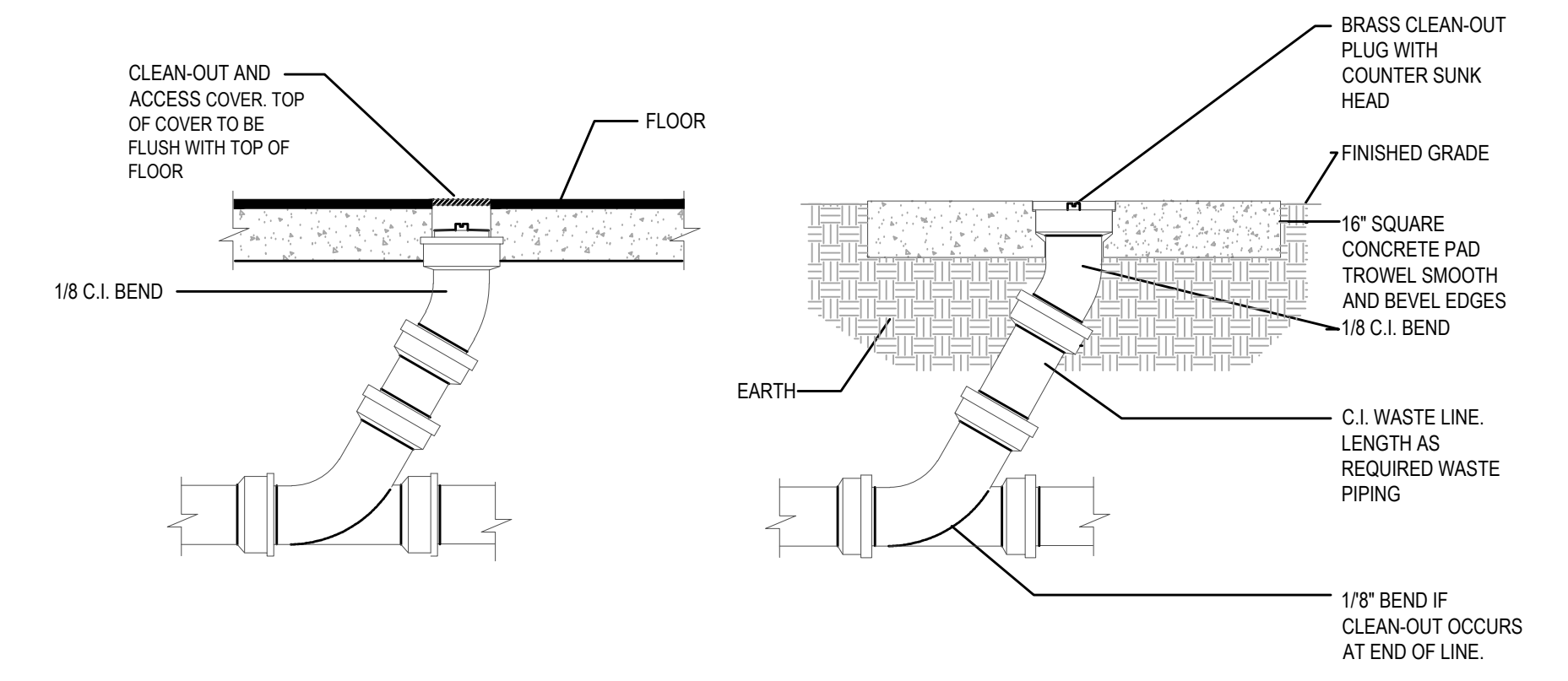
MODEL NO.	CAPACITY USGG	GREASE CAP. (LBS)	EMPTY WT (LBS)	LENGTH L	WIDTH W	HEIGHT H	INLET FL1	OUTLET FL2
GT-750	750	1,200	4,200	7'-10"	4'-4"	6'-0"	4'-0"	4'-0"
GT-1000	1,000	2,300	10,350	8'-8"	5'-0"	6'-0"	4'-0"	4'-0"
GT-1500	1,500	3,500	16,050	9'-2"	5'-8"	7'-0"	5'-0"	5'-0"
GT-2000	2,000	4,800	21,750	9'-0"	6'-0"	8'-0"	6'-0"	6'-0"
GT-2500	2,500	6,200	27,800	11'-0"	7'-0"	7'-0"	6'-0"	6'-0"
GT-3000	3,000	8,000	33,750	11'-0"	7'-0"	8'-0"	6'-0"	6'-0"
GT-3500	3,500	8,500	35,500	13'-0"	7'-0"	8'-0"	6'-0"	6'-0"
GT-4000	4,000	9,300	38,100	10'-0"	8'-0"	7'-0"	5'-0"	5'-0"

OTHER SIZES ARE AVAILABLE. CONTACT US FOR MORE INFORMATION.

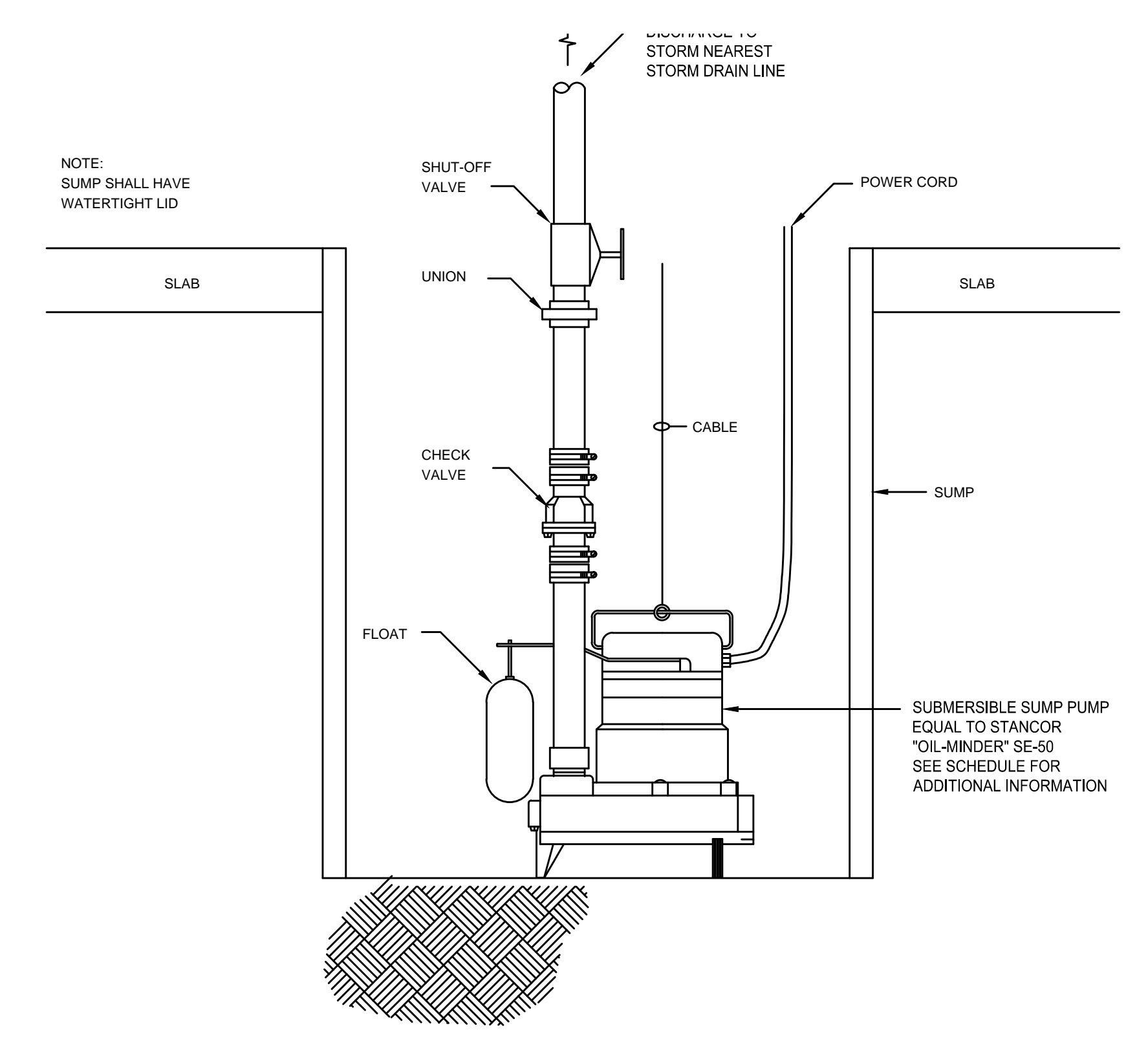
GREASE INTERCEPTOR SERIES GT
500 THRU 4000 GALLON CAPACITY

SCALE: NONE DWG. NO. GI-1 REV. A
DATE: 03/13

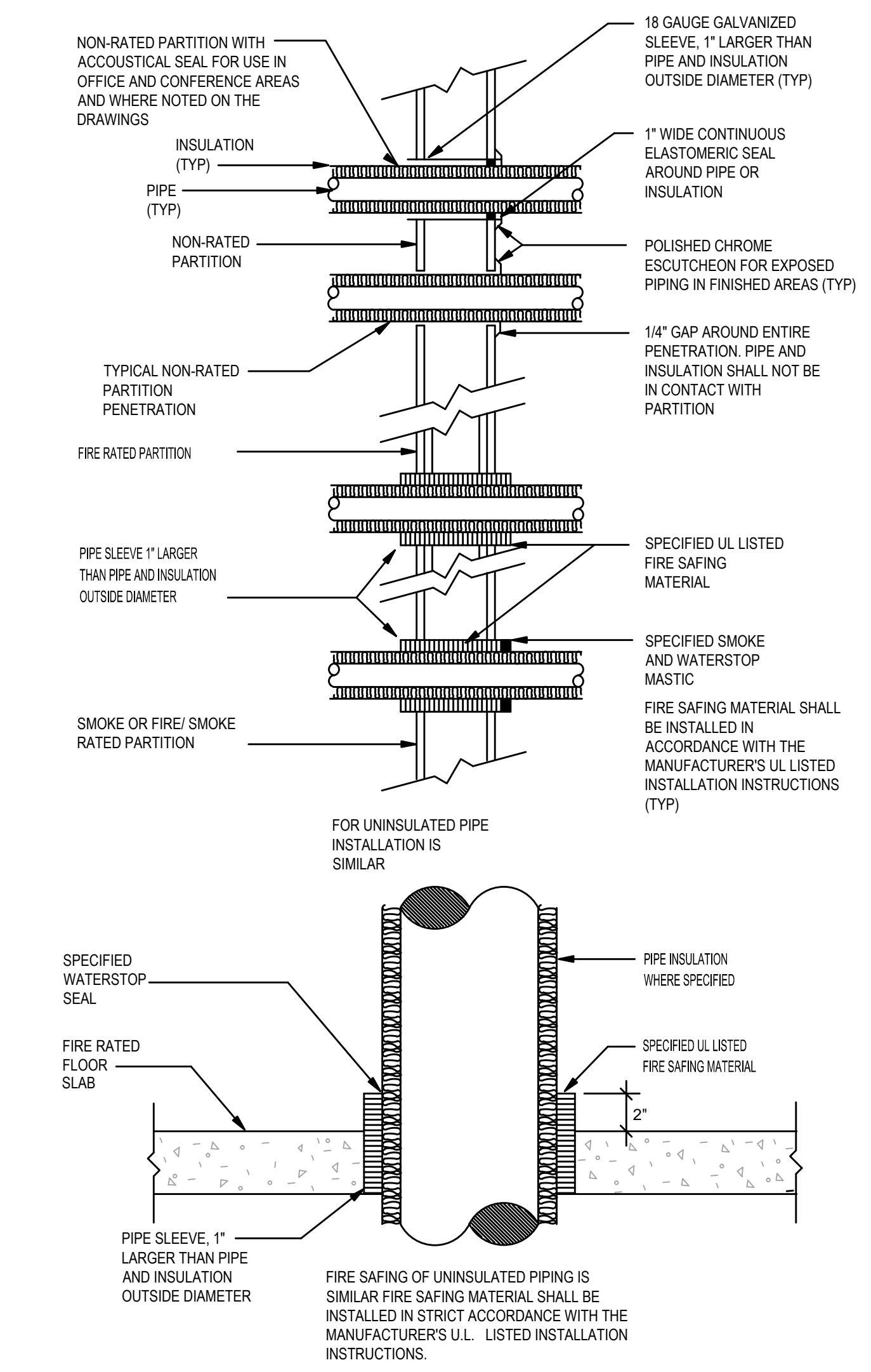
3 | GREASE INTERCEPTOR
P7.2 | N.T.S.



4 | CLEANOUT DETAILS
P7.2 | N.T.S.



1 | SUMP PUMP DETAIL
P7.2 | N.T.S.



2 | TYPICAL PIPING PENETRATION DETAILS

CONTRACTOR NOTE
 IT IS THE RESPONSIBILITY OF THE CONTRACTOR TO NOTIFY THE ARCHITECT, LANDLORD AND TENANT OF ANY DISCREPANCIES ENCOUNTERED ON THE PLANS OR IN EXISTING SITE CONDITIONS PRIOR TO SUBMISSION OF BID.
 BIDDERS ARE TO VISIT THE SITE AND FAMILIARIZE THEMSELVES WITH EXISTING CONDITIONS AND SATISFY THEMSELVES AS TO THE NATURE AND SCOPE OF THE WORK. THE BASE BID SHALL REFLECT MODIFICATIONS TO SYSTEMS AND DEVICES AS REQUIRED BY STATE, LOCAL AND FEDERAL CODES WHETHER INDICATED OR NOT ON CONTRACT DOCUMENTS. THE SUBMISSIONS OF A BID WILL BE EVIDENCE THAT SUCH AN EXAMINATION AND COMPLIANCE WITH GOVERNING CODES/REQUIREMENTS HAS BEEN MADE. LATER CLAIMS FOR LABOR, EQUIPMENT OR MATERIALS REQUIRED, OR FOR DIFFICULTIES ENCOUNTERED WHICH COULD HAVE BEEN FORESEEN HAD AN EXAMINATION AND CODE/REQUIREMENTS REVIEW BEEN MADE, WILL NOT BE ALLOWED.

3500 Jefferson St. Suite 303
Austin, TX 78731
P: (512) 231-1910
F: (512) 231-1950

www.piarch.com
architecture • master
interior • landscape
architecture

These plans have been properly examined by the undersigned. I have determined that they comply with existing local Louisiana codes, and have been properly site adapted to use in this area.

WATERSTONE AT BATON ROUGE
ASSISTED LIVING & MEMORY CARE

SIEGEN LANE
BATON ROUGE, LA 70810

ISSUE: PERMIT SET

©2015, PI ARCHITECTS, INC.

REVISIONS:

DATE: 03/31/2016
PROJECT NUMBER: PES 15090
SHEET TITLE: PLUMBING DETAILS

SHEET: **P7.2**