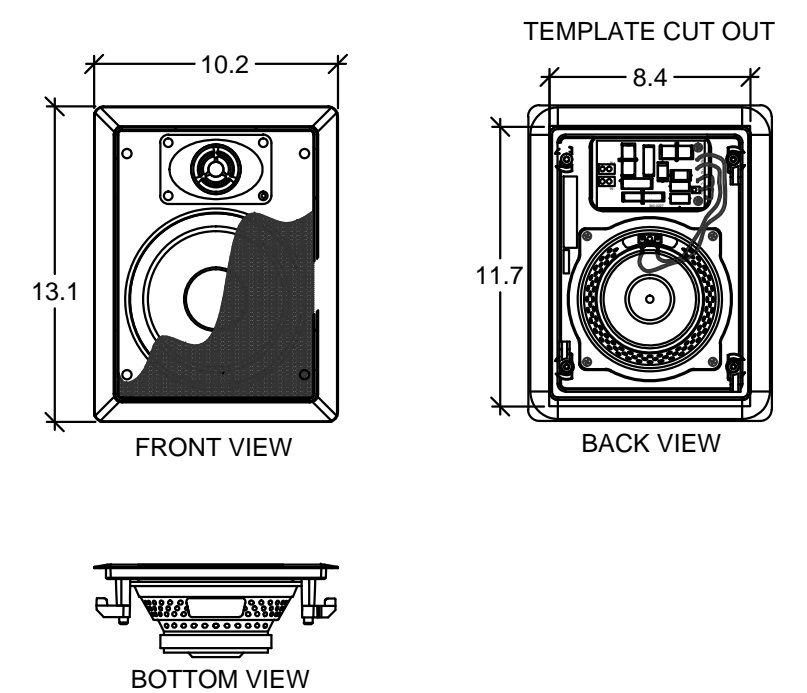


BIM Server: SERVER2015 - BIM Server 19/14017 Concordia Baton Rouge | Ver: 18.001 | Monday, February 22, 2016 | 3:34 PM

NOTES:

1. INSTALL PER MANUFACTURER'S RECOMMENDATIONS.
2. JBL CONTROL 128W.

TEMPLATE CUT OUT



FRONT VIEW
BACK VIEW
BOTTOM VIEW

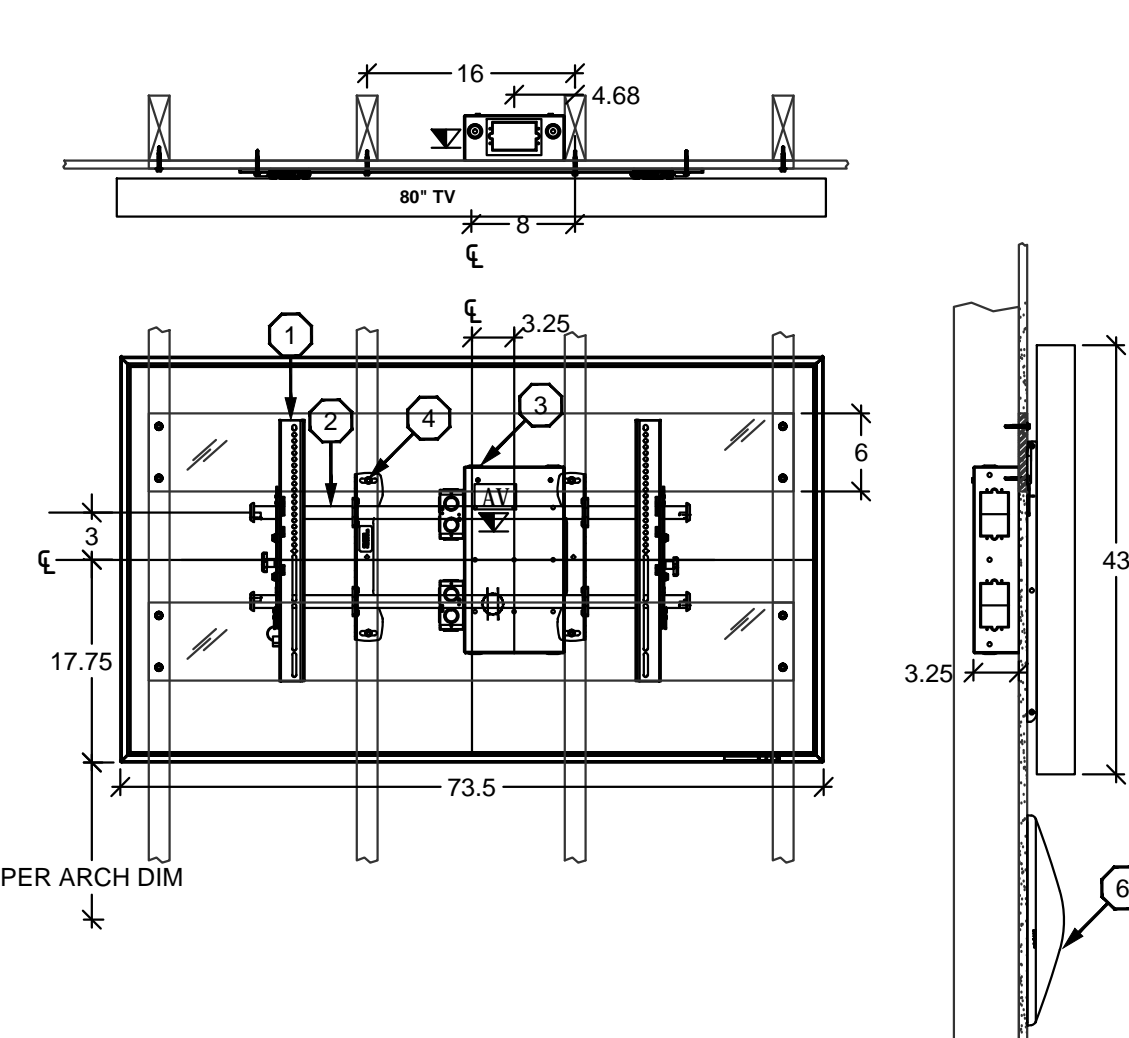
WALL RECESSED PROGRAM SPEAKERS NTS H

NOTES:

1. INSTALL PER MANUFACTURER'S RECOMMENDATIONS.

KEYNOTES:

- 1 80"-90" LCD TELEVISION (WT: 175 LBS).
- 2 CHIEF LTAU LARGE TILT WALL MOUNT, INSTALLED BY AVC.
- 3 CHIEF PAC522 IN-WALL DEVICE BOX WITH DESIGNATED AV, TELEDATA AND POWER OUTLETS, PROVIDED AND INSTALLED BY EC.
- 4 STEEL S.T.S. SCREWS WITH 16-GAUGE STEEL BACKING PLATE, 6" HIGH AND SPAN 4 STUDS (MIN), BACKING BY GC.
- 5 1 1/4" CONDUIT TO ACCESSIBLE AIRSPACE.
- 6 SOUNDBAR SPEAKER



80" TV
PER ARCH DIM

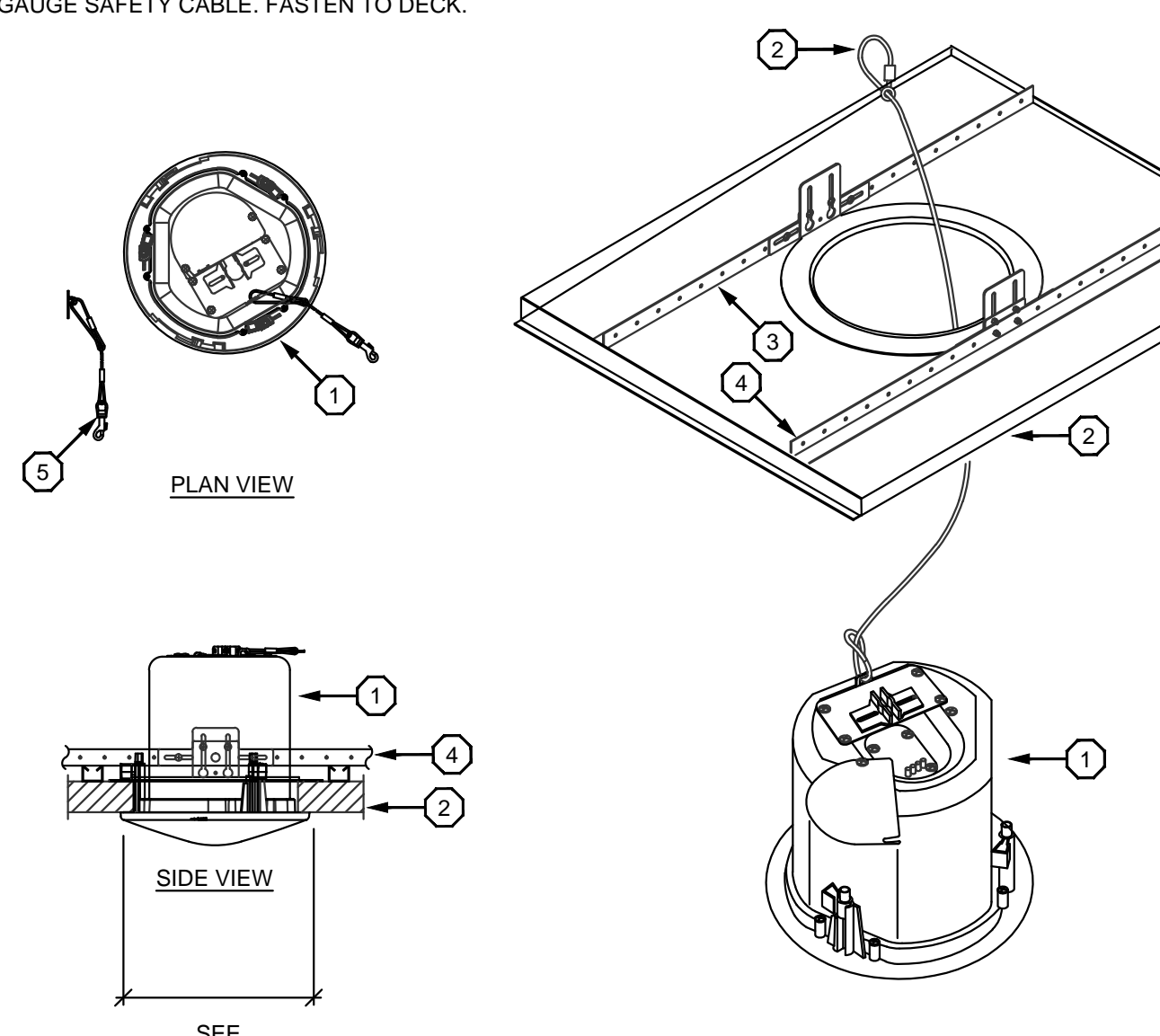
80"-90" CLASS LCD DISPLAY WALL MOUNTED WITH SOUNDBAR SPEAKER NTS F

NOTES:

1. INSTALL PER MANUFACTURER'S RECOMMENDATIONS.

KEYNOTES:

- 1 SPEAKER WITH PLENUM BACK CAN
- 2 SUSPENDED CEILING TILE
- 3 SUPPORT RING
- 4 SUSPENSION TILE BRIDGE MOUNT
- 5 16 GAUGE SAFETY CABLE. FASTEN TO DECK.



PLAN VIEW
SIDE VIEW
SEE MANUFACTURER'S SPECS

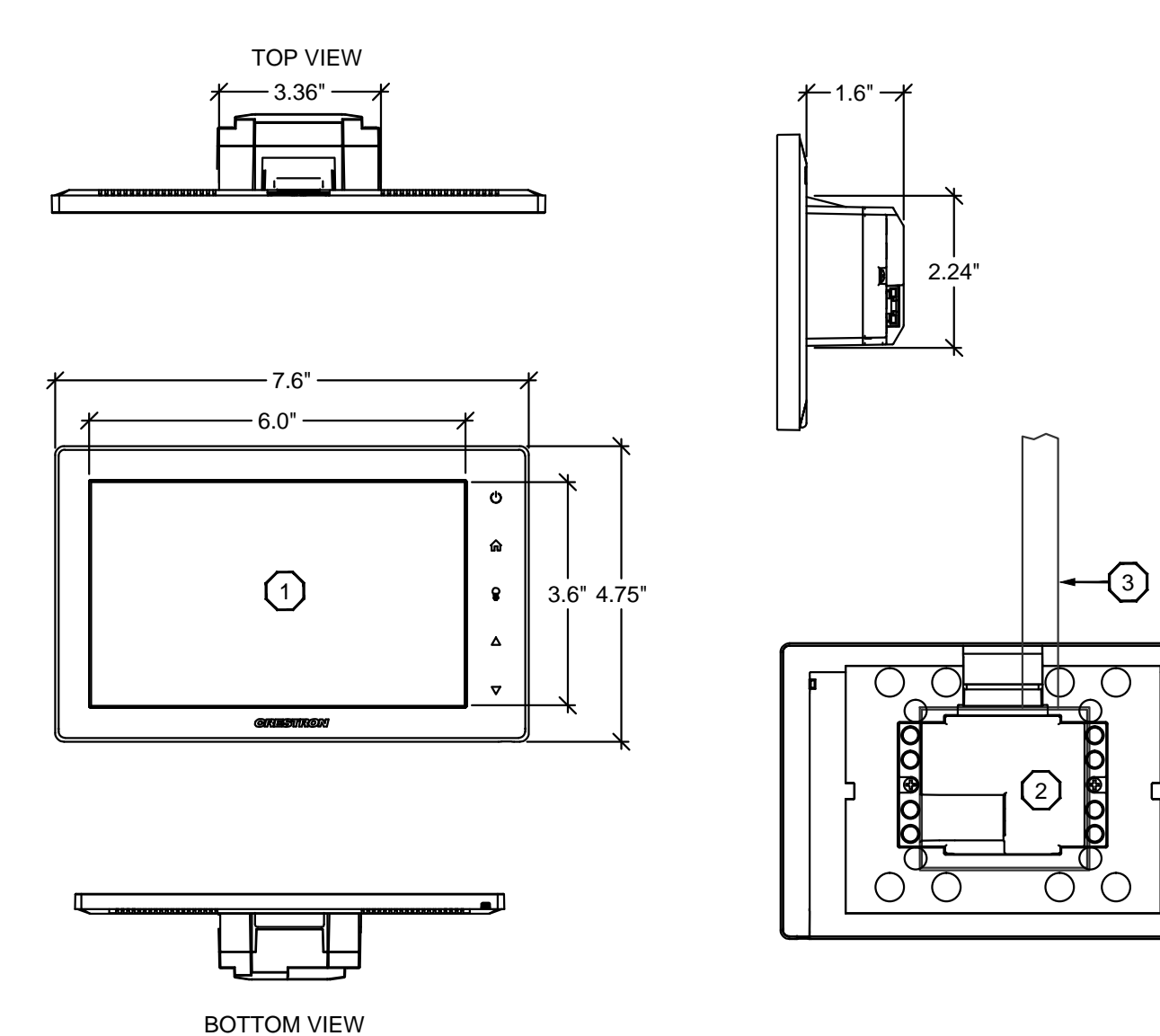
CEILING SPEAKER TILE BRIDGE MOUNT NTS D

NOTES:

1. INSTALL PER MANUFACTURER'S RECOMMENDATIONS.

KEYNOTES:

- 1 TOUCH PANEL DEVICE CRESTRON TSW-750.
- 2 4 SQUARE BACK BOX.
- 3 1" CONDUIT TO ACCESSIBLE AIRSPACE ABOVE CEILING.



TOP VIEW
BOTTOM VIEW

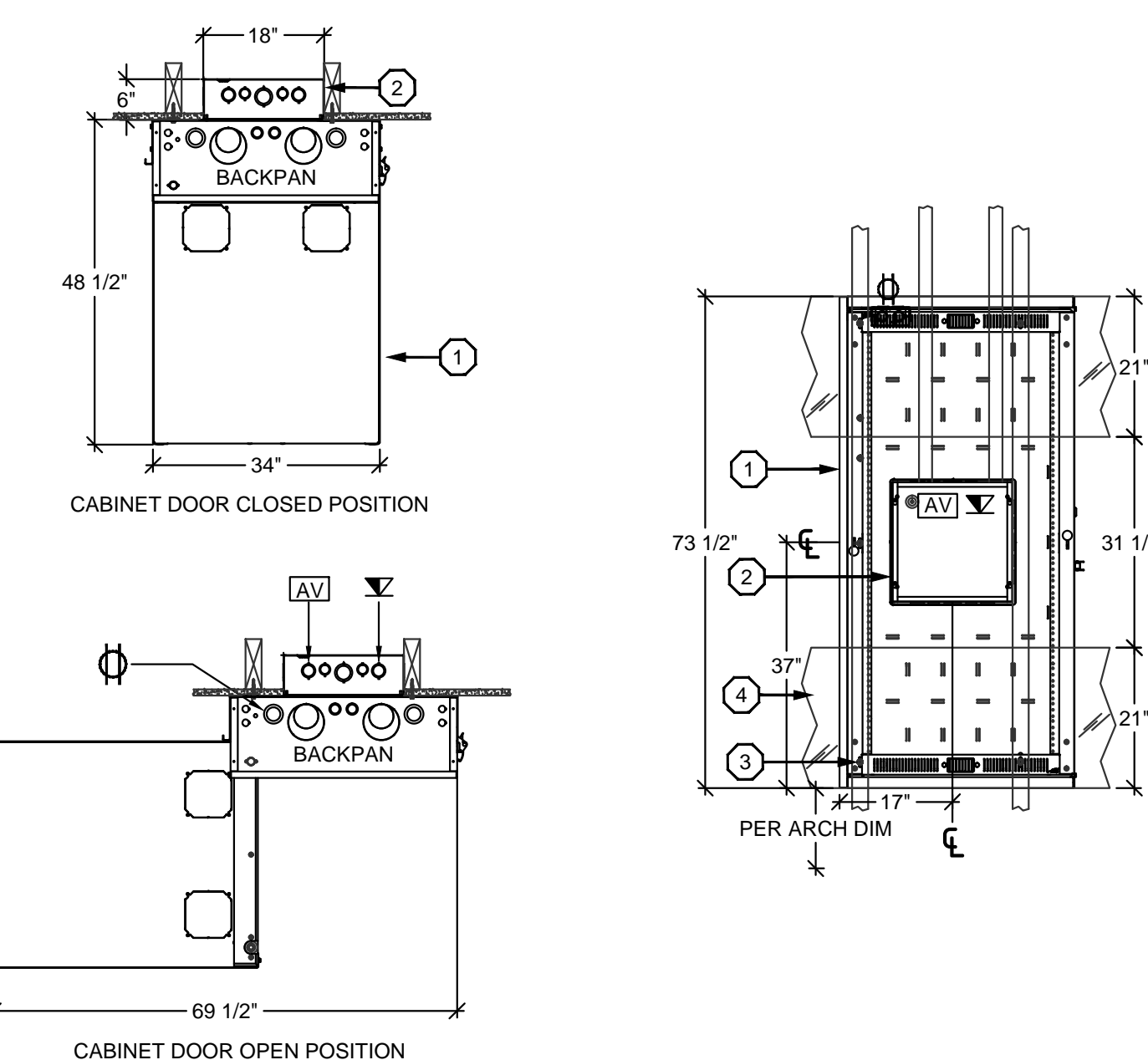
7" TOUCH PANEL NTS B

NOTES:

1. INSTALL PER MANUFACTURER'S RECOMMENDATIONS.
2. MIDDLE ATLANTIC DWR SERIES AV CABINET, WT CAP 300 LBS. MAP DWR-24-32 SHOWN ABOVE, CHECK AV SPEC FOR SIZE AT EACH LOCATION. WITH HOFFMAN ASE 12x12x4 PULL BOX AND BACKING, PROVIDED AND INSTALLED BY OTHERS.

KEYNOTES:

- 1 MIDDLE ATLANTIC DWR SERIES WALL-MOUNTED AV CABINET (DWR-24-32 SHOWN). SEE AV SPEC FOR EACH LOCATION.
- 2 HOFFMAN ASE 12x12x4 PULL-BOX WITH (2) 1" CONDUITS FOR AV-DATA, PROVIDED AND INSTALLED BY OTHERS.
- 3 CABINET BACKPAN MOUNTING LOCATIONS 16" OC, TYP OF 5 LOCATIONS.
- 4 16-GA STEEL BACKING PLATE, 14" HIGH, SPANNING 2 STUDS (MIN), TYP OF 2 LOCATIONS, BY GC.

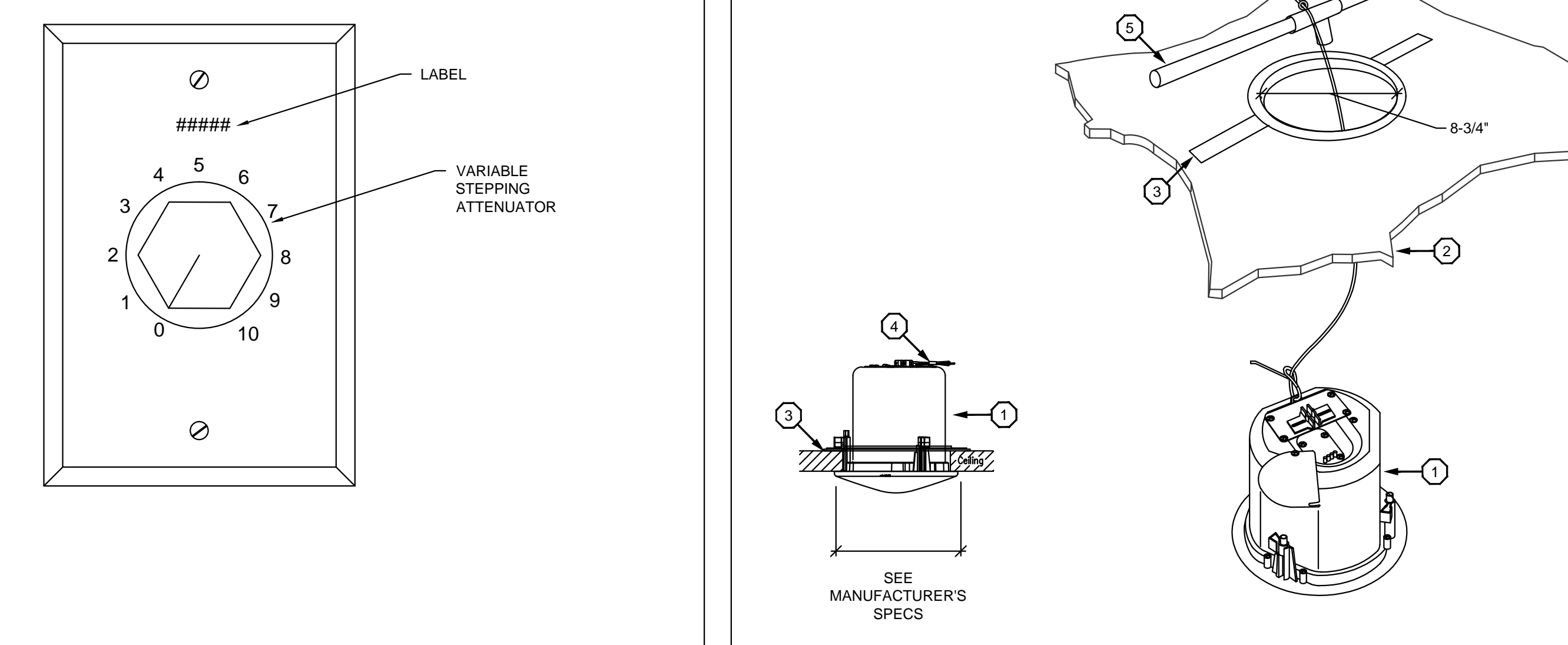


CABINET DOOR CLOSED POSITION
CABINET DOOR OPEN POSITION
BACKPAN
PER ARCH DIM

WALL MOUNTED AV EQUIPMENT CABINET NTS G

KEYNOTES:

- 1 SPEAKER WITH PLENUM BACK CAN
- 2 WALLBOARD CEILING
- 3 JBL MTC-26NC SUPPORT RING
- 4 16 GAUGE SAFETY CABLE. FASTEN TO DECK.
- 5 3/4" CONDUIT IN SERIES FROM SPEAKER TO SPEAKER



LABEL
VARIABLE STEPPING ATTENUATOR
SIDE VIEW
SEE MANUFACTURER'S SPECS

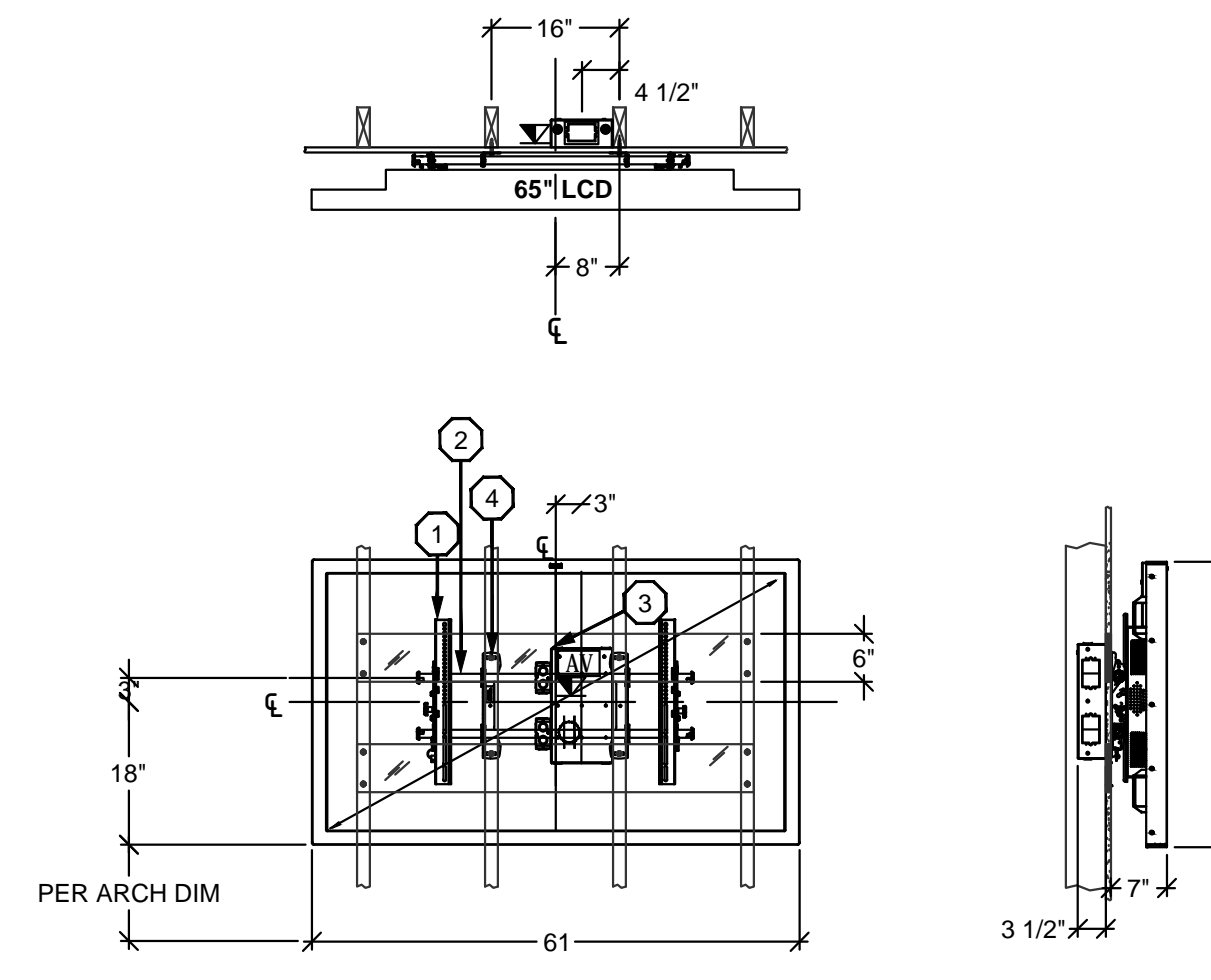
SPEAKER STEPPING ATTENUATOR AUTOFORMER TYPE VOLUME CONTROL NTS E

NOTES:

1. INSTALL PER MANUFACTURER'S RECOMMENDATIONS.

KEYNOTES:

- 1 P65" COMMERCIAL LCD DISPLAY (WT: 119 LBS).
- 2 CHIEF LTAU LARGE TILT WALL MOUNT, INSTALLED BY AVC.
- 3 CHIEF PAC522 IN-WALL DEVICE BOX WITH DESIGNATED AV AND POWER OUTLETS, INSTALLED BY EC.
- 4 STEEL S.T.S. SCREWS WITH 16-GAUGE STEEL BACKING PLATE, 6" HIGH AND SPAN 4 STUDS (MIN), BACKING BY GC.

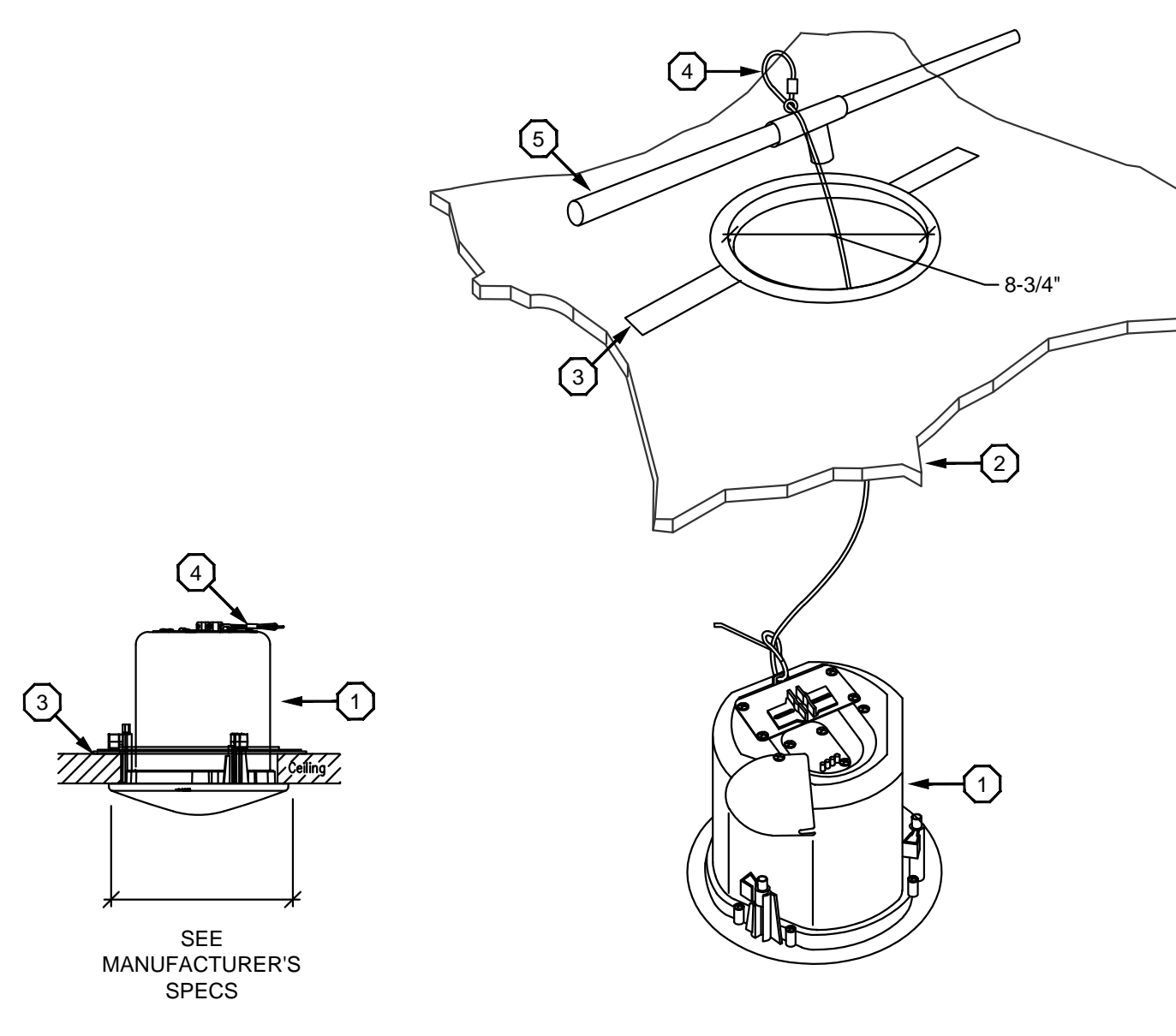


65" LCD
PER ARCH DIM

65" CLASS LCD DISPLAY WALL MOUNT - TILTING NTS A

KEYNOTES:

- 1 SPEAKER WITH PLENUM BACK CAN
- 2 WALLBOARD CEILING
- 3 JBL MTC-26NC SUPPORT RING
- 4 16 GAUGE SAFETY CABLE. FASTEN TO DECK.
- 5 3/4" CONDUIT IN SERIES FROM SPEAKER TO SPEAKER



SIDE VIEW
SEE MANUFACTURER'S SPECS

CEILING SPEAKER WALLBOARD MOUNT NTS C