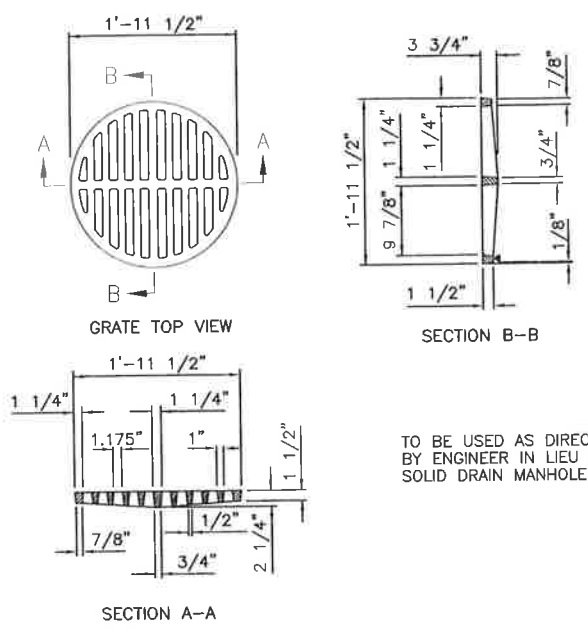
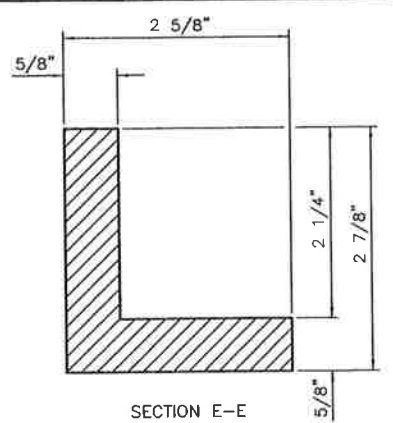


PROJECT NO.	SHEET
08-TP-BD-0033	CZ-6a

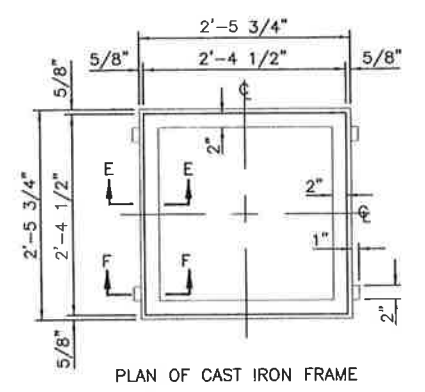


"TYPE 5"
SCALE: 1"=1'-0"

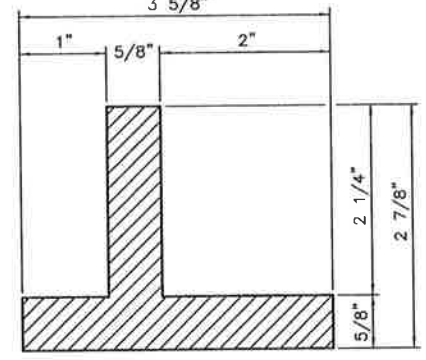
TO BE USED AS DIRECTED
BY ENGINEER IN LIEU OF
SOLID DRAIN MANHOLE COVER.



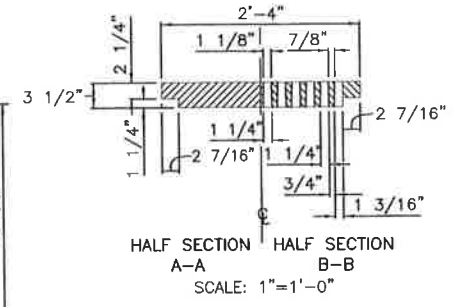
SECTION E-E
SCALE: FULL



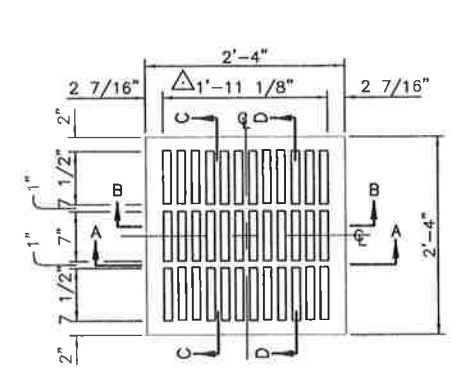
PLAN OF CAST IRON FRAME
SCALE: 1"=1'-0"



SECTION F-F
SCALE: FULL

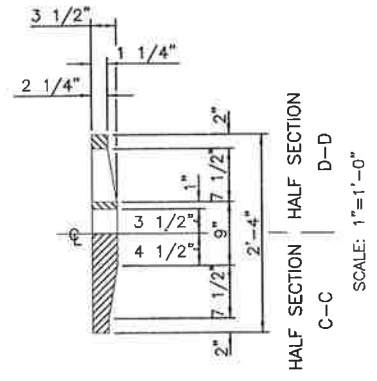


DETAILS OF CAST IRON GRATE & FRAME
NOTES: 1. WEIGHT OF CAST IRON GRATE = 334LBS.
2. WEIGHT OF CAST IRON FRAME = 90LBS.

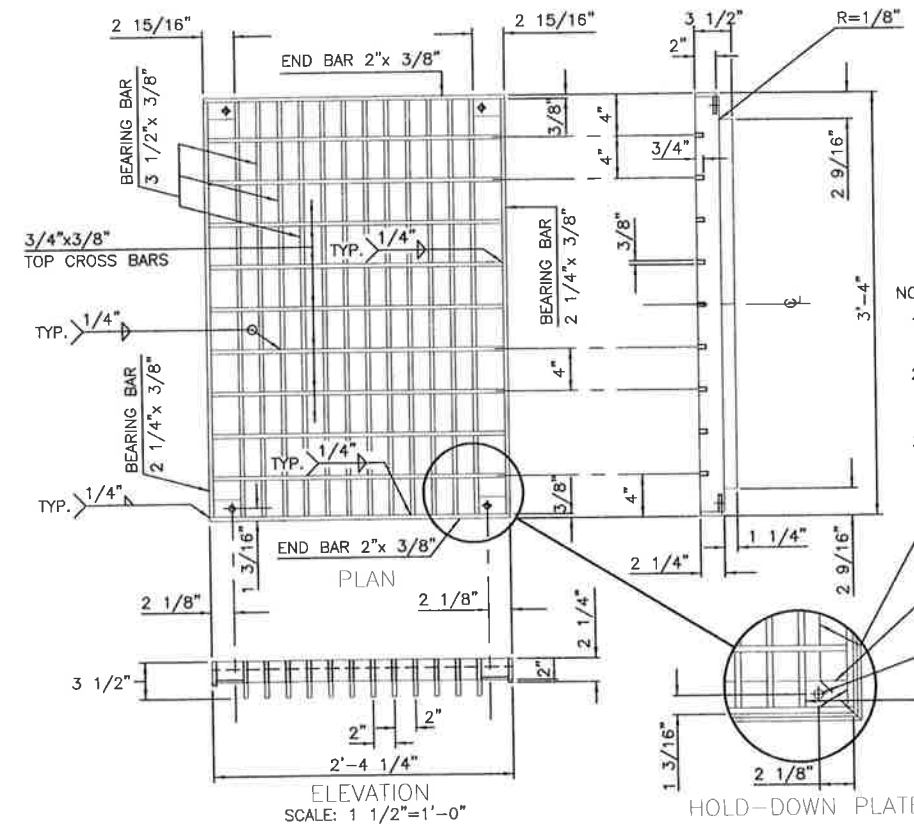


PLAN OF CAST IRON GRATE
SCALE: 1"=1'-0"

△1'-11 1/8" = 12 OPENINGS @ 1 1/8"
11 BARS @ 7/8"



HALF SECTION C-C
SCALE: 1"=1'-0"

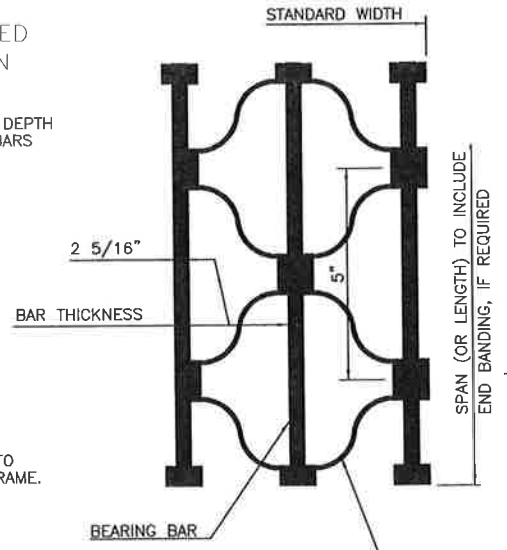


ELEVATION
SCALE: 1 1/2"=1'-0"

DETAILS OF WELDED
& SEALED DRAIN
GRATE

CONTINUOUS WELD FOR FULL DEPTH
EACH BEARING BAR TO END BARS
AND CROSS BARS.
BEARING BARS TO BE SET
FLUSH ON GRATE FRAME.
WEIGHT OF DRAIN GRATE =
233 LBS. ± 5%

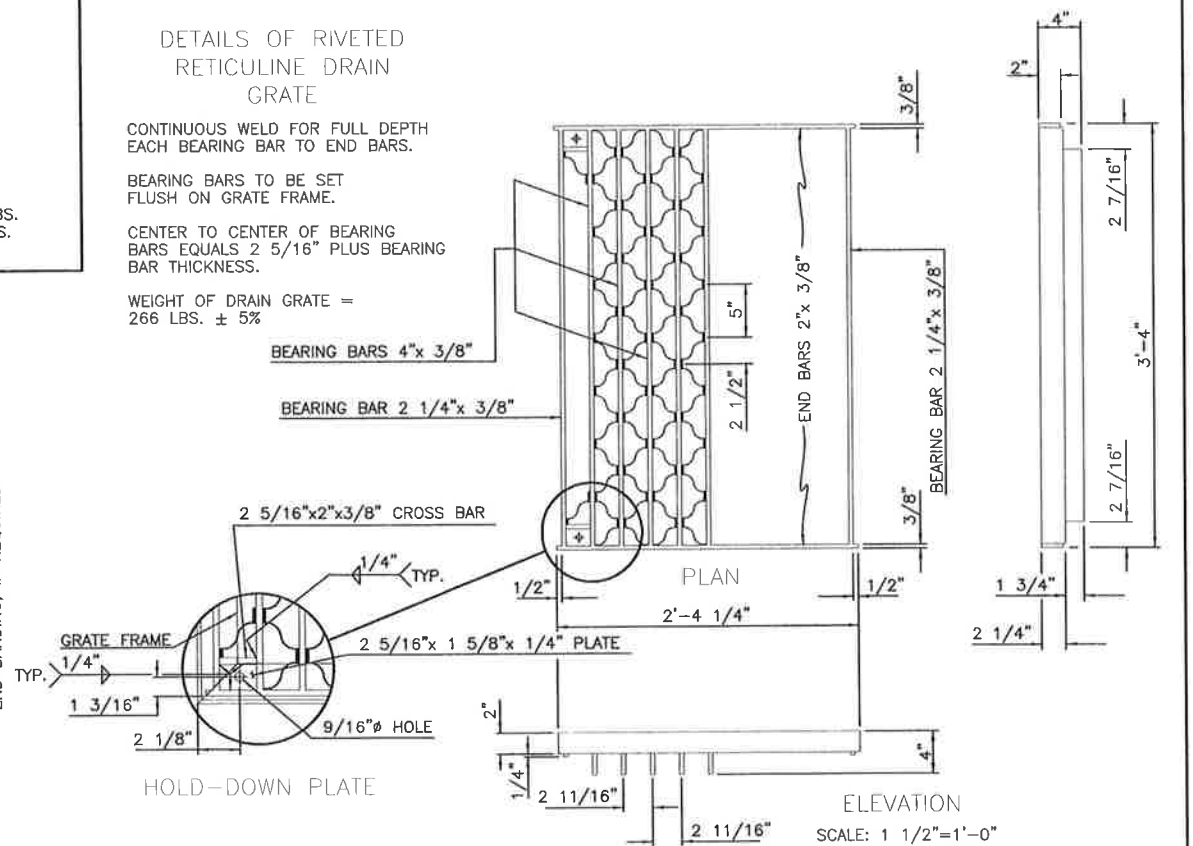
- NOTES:
1. GRATES TO BE GALVANIZED
AFTER FABRICATION.
 2. TYPE "8" FRAME IS TO
BE USED WITH THESE GRATES.
(SEE SHEET 3)
 3. SUPPLIER OF GRATE ALSO IS TO
FURNISH PRE-FITTED GRATE FRAME.



DRAIN GRATE DETAIL
SCALE: HALF

DETAILS OF RIVETED
RETICULINE DRAIN
GRATE

CONTINUOUS WELD FOR FULL DEPTH
EACH BEARING BAR TO END BARS.
BEARING BARS TO BE SET
FLUSH ON GRATE FRAME.
CENTER TO CENTER OF BEARING
BARS EQUALS 2 5/16" PLUS BEARING
BAR THICKNESS.
WEIGHT OF DRAIN GRATE =
266 LBS. ± 5%



"TYPE 7"

STANDARD PLAN NO. 702-99	DATED January 30, 2008	SHEET NO. 2 OF 3
-----------------------------	---------------------------	---------------------

FRAMES, GRATES AND COVERS
FOR INLETS AND MANHOLES

ENGINEERING DIVISION DEPARTMENT OF PUBLIC WORKS CITY OF BATON ROUGE & PARISH OF EAST BATON ROUGE			
DESIGNED E. JORDAN, INC.	DRAWN G. VANNICE	CHECKED N. RABALAIS	APPROVED B. HARMON



DATE	DESCRIPTION	BY