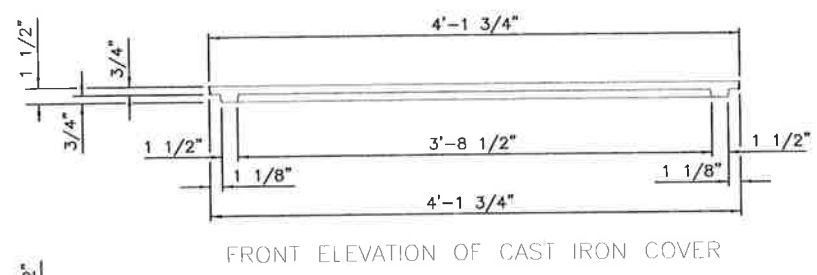
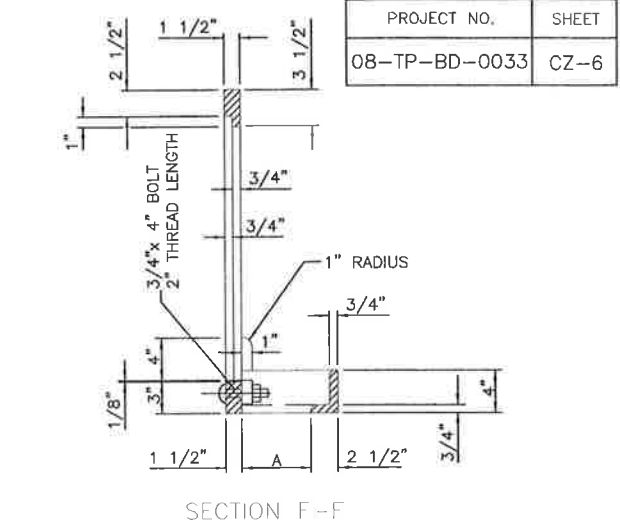
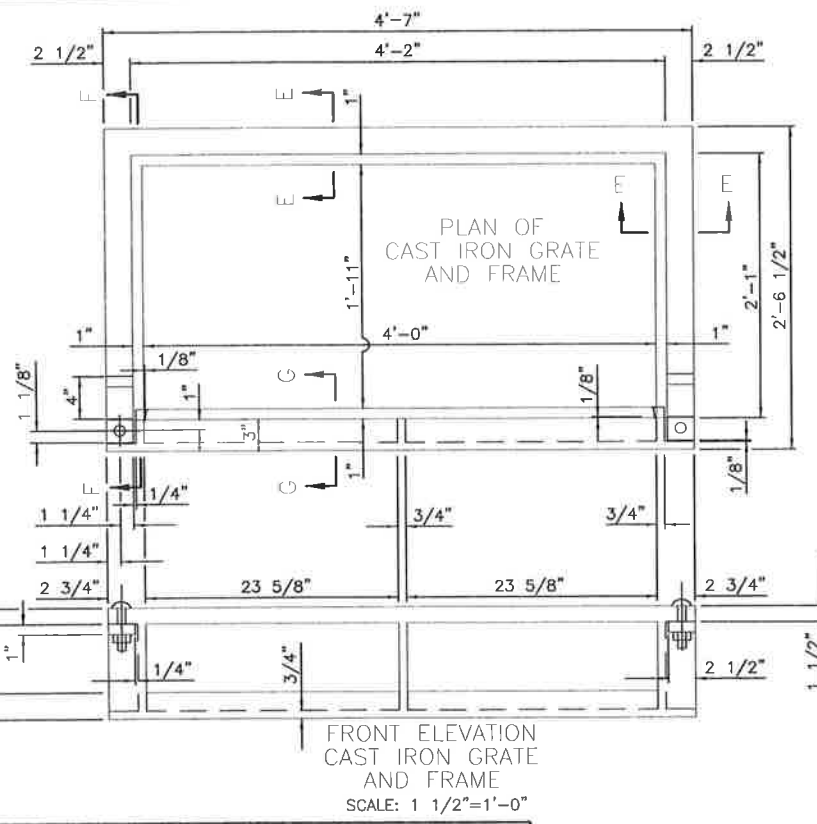
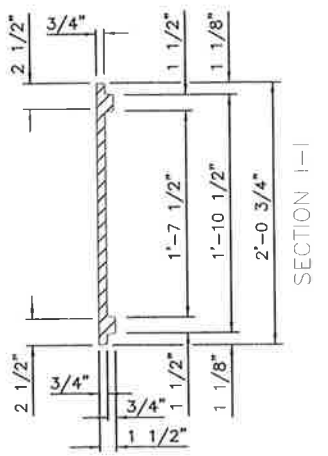
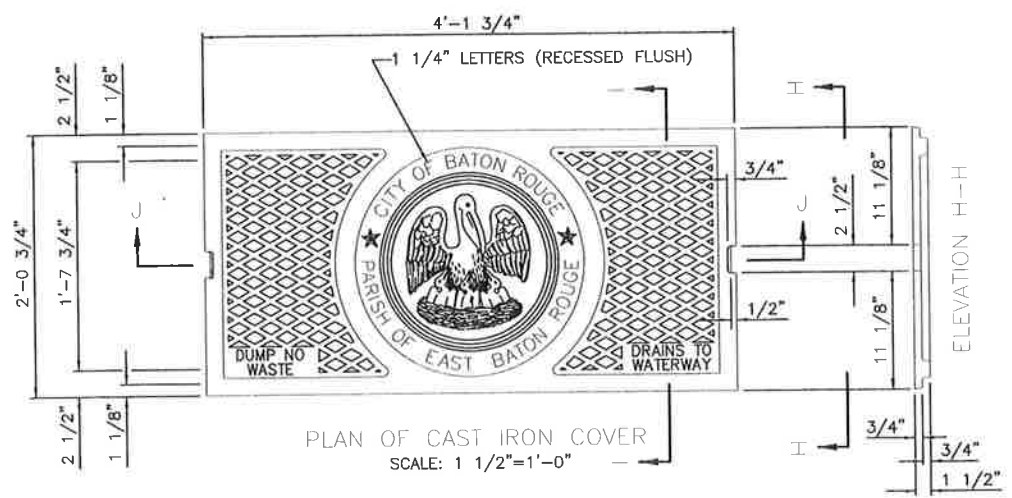
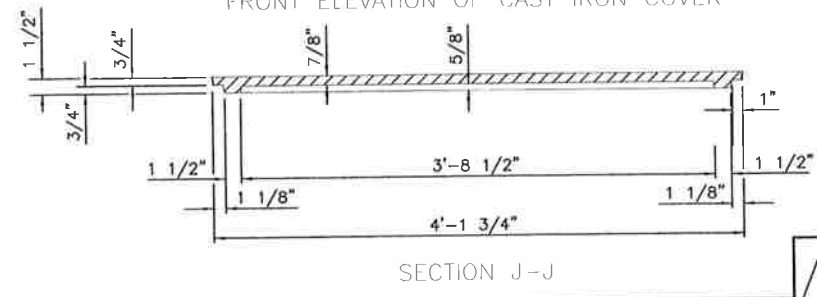


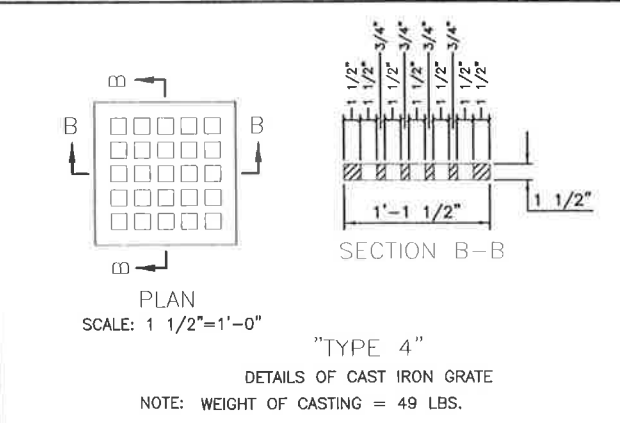
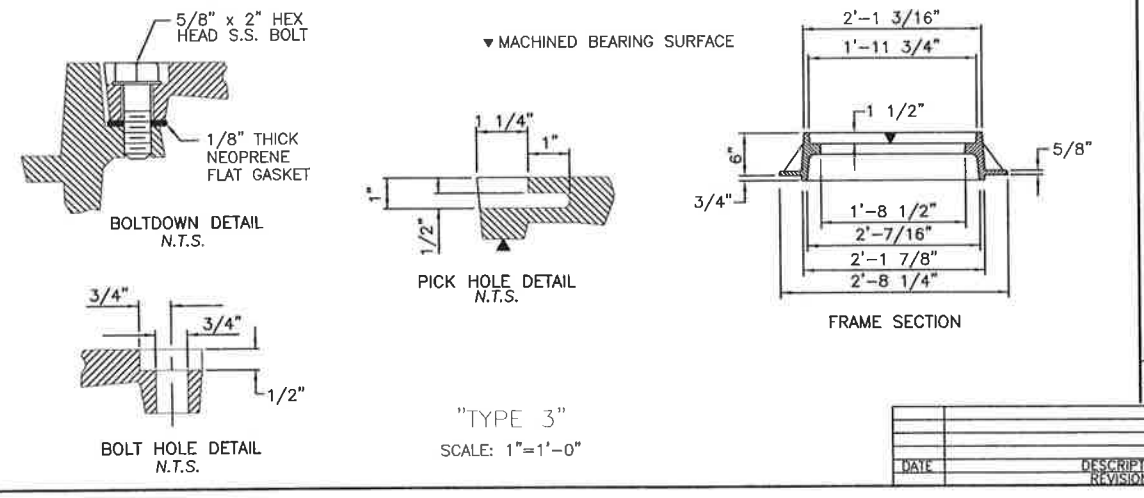
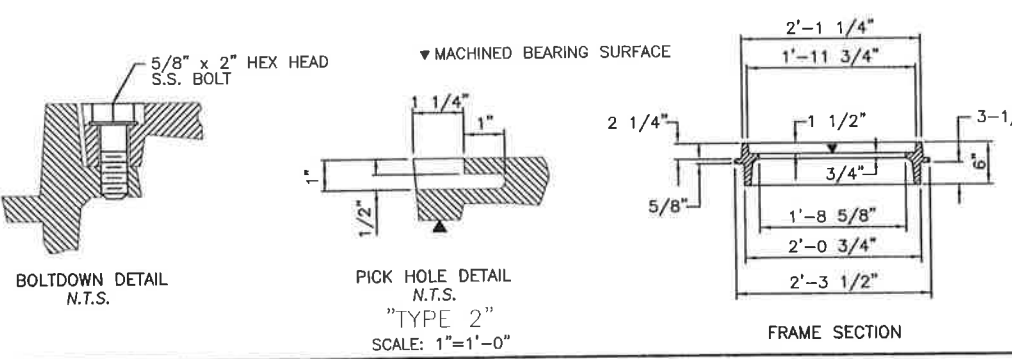
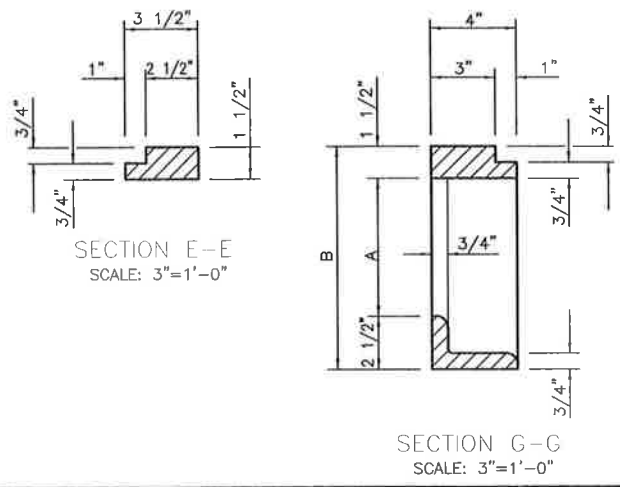
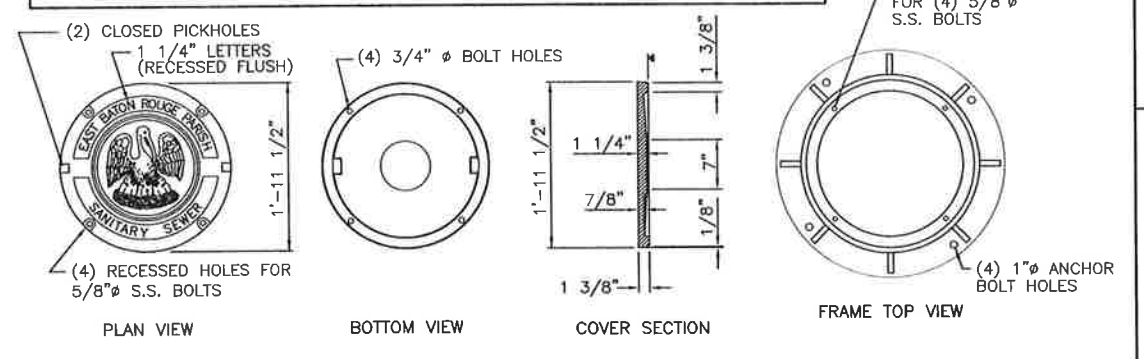
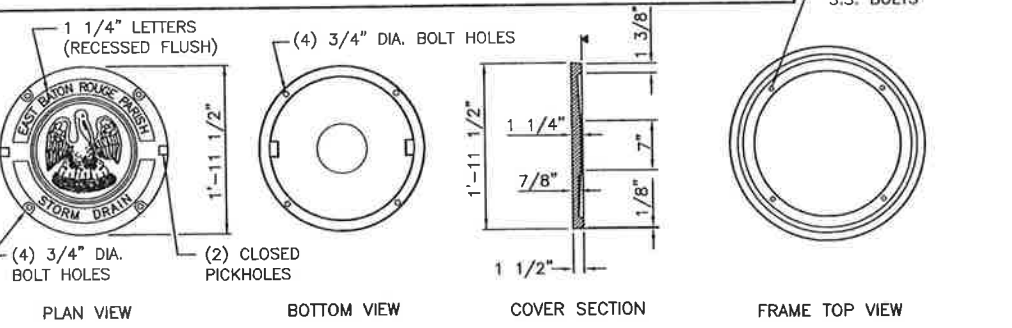
| | |
|---------------|-------|
| PROJECT NO. | SHEET |
| 08-TP-BD-0033 | CZ-6 |



NOTES:
WEIGHT OF CAST IRON COVER = 268 LBS.
WEIGHT OF CAST IRON FRAME = 129 LBS.
WEIGHT OF CAST IRON GRATE = 160 LBS.



NOTES:
1. CASTINGS SHALL BE GRAY IRON CONFORMING TO ASTM A48 CLASS 30.
2. ROUND CASTINGS SHALL HAVE SEATING SURFACES MACHINED SQUARE AND RECTANGULAR CASTINGS SHALL HAVE SEATING SURFACES GROUND FOR PROPER FIT.



| | | |
|--|---------------------------|------------------------|
| STANDARD PLAN NO. 702-99 | DATED January 30, 2008 | SHEET NO. 1 OF 3 |
| FRAMES, GRATES AND COVERS FOR INLETS AND MANHOLES | | |
| ENGINEERING DIVISION DEPARTMENT OF PUBLIC WORKS CITY OF BATON ROUGE & PARISH OF EAST BATON ROUGE | | |
| DESIGNED E. JORDAN, INC. | DRAWN G. VANNICE | CHECKED N. RABALAIS |
| APPROVED B. HARMON | | |



| DATE | DESCRIPTION | BY |
|------|-------------|----|
| | REVISIONS | |