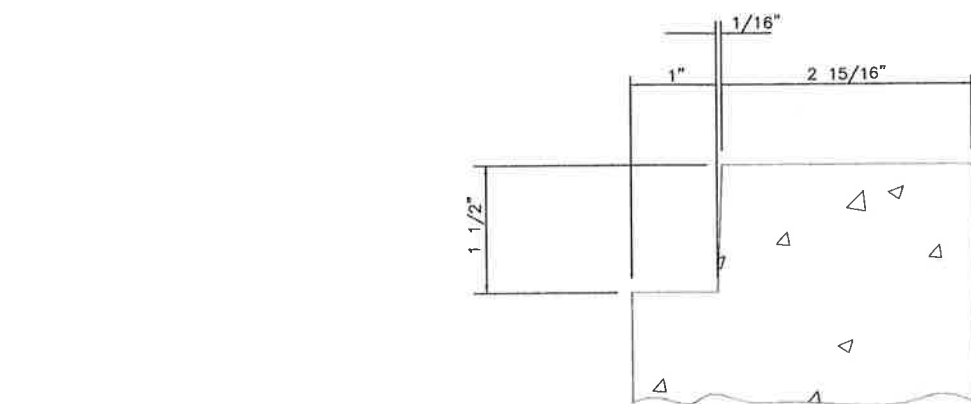
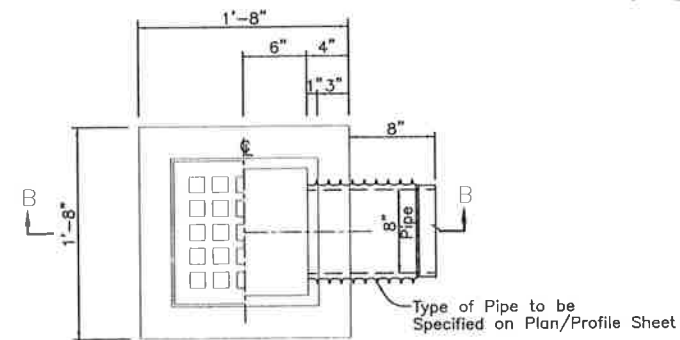


PROJECT NO.	SHEET
08-TP-BD-0033	CZ-5



INSET "A"
(Typical)

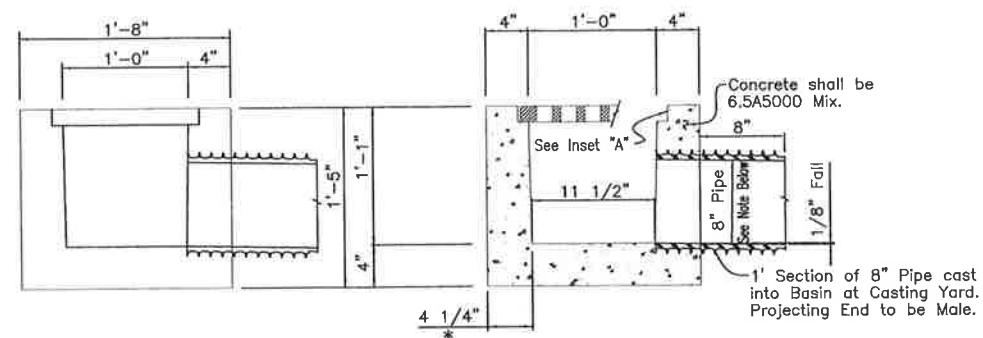


PLAN

Weight Approx. 460 lbs. plus Grate

PRECAST OPTION

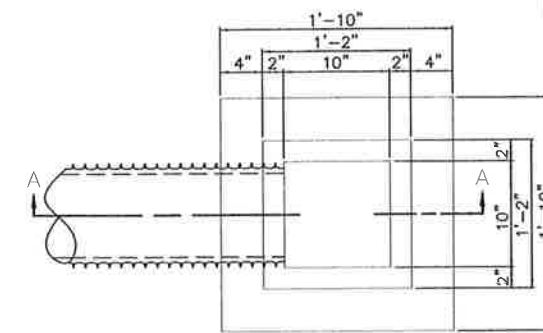
Notes:
Concrete to be Class 6.5A5000.
Catch Basin to be supplied complete,
including C.I. Grate.
The Catch Basin Supplier shall be
responsible for Selection and Placement
of any Pick-up and Handling Devices.
Setting Tolerance to be +0 & -1"



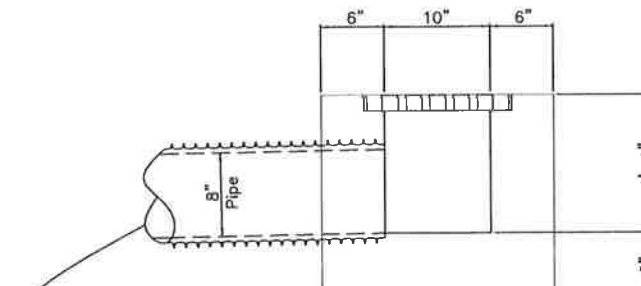
ELEVATION

SECTION B-B

* 4" Uniform Walls may be used,
at Suppliers Option.



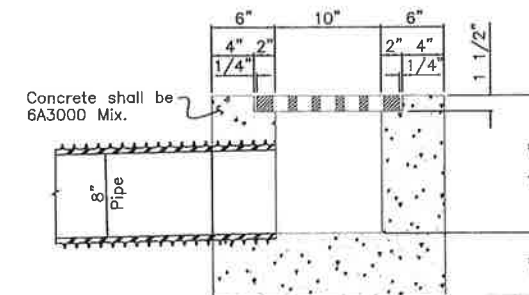
PLAN
Grate not Shown



ELEVATION

CAST-IN-PLACE
OPTION

Class 6A4000 Concrete



SECTION A-A



NOT TO BE USED WHERE
SUBJECT TO VEHICULAR
TRAFFIC

NOTES:

1. SEE STANDARD PLAN 702-99 FOR CAST IRON GRATE DETAILS. (TYPE 4).
2. PRECAST CONCRETE INLETS CONFORMING TO STANDARD PLAN 702-50 MAY BE FURNISHED.

DATE	DESCRIPTION	BY

STANDARD PLAN NO. 702-21	DATED January 18, 2008	SHEET NO. 1 OF 1
-----------------------------	---------------------------	---------------------

YARD DRAIN

ENGINEERING DIVISION DEPARTMENT OF PUBLIC WORKS CITY OF BATON ROUGE & PARISH OF EAST BATON ROUGE			
DESIGNED R. ELLIS	DRAWN G. VANNICE	CHECKED R. ELLIS	APPROVED B. HARMON