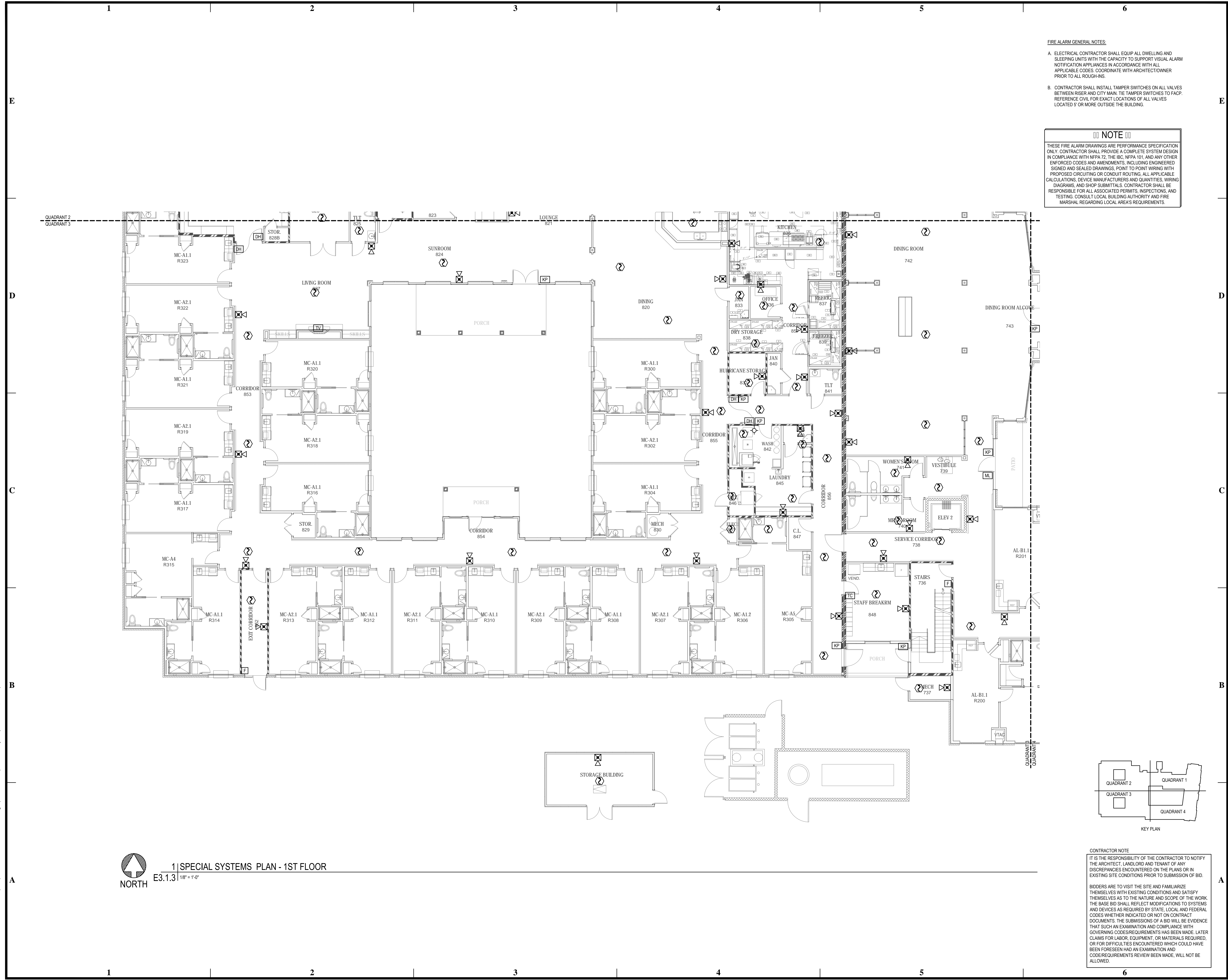
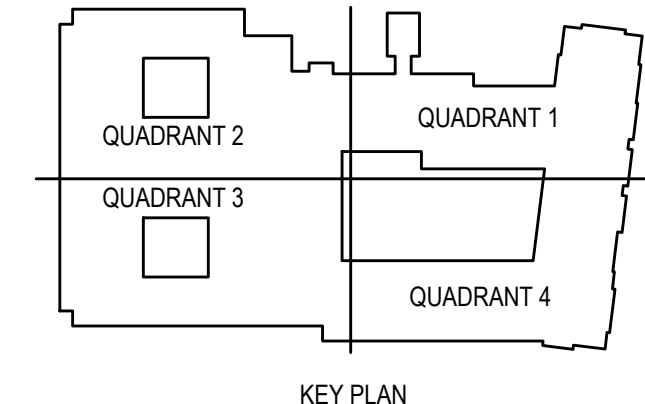


BIM Server: Server2012 - BIM Server (18/07/14)17 Concordia Baton Rouge | Ver: 18.0011 | Wednesday, September 02, 2015 | 4:04 PM



**FIRE ALARM GENERAL NOTES:**  
A. ELECTRICAL CONTRACTOR SHALL EQUIP ALL DWELLING AND SLEEPING UNITS WITH THE CAPACITY TO SUPPORT VISUAL ALARM NOTIFICATION APPLIANCES IN ACCORDANCE WITH ALL APPLICABLE CODES. COORDINATE WITH ARCHITECT/OWNER PRIOR TO ALL ROUGH-INS.  
B. CONTRACTOR SHALL INSTALL TAMPER SWITCHES ON ALL VALVES BETWEEN RISER AND CITY MAIN. THE TAMPER SWITCHES TO FACE. REFERENCE CIVIL FOR EXACT LOCATIONS OF ALL VALVES LOCATED 5' OR MORE OUTSIDE THE BUILDING.

**NOTE**  
THESE FIRE ALARM DRAWINGS ARE PERFORMANCE SPECIFICATION ONLY. CONTRACTOR SHALL PROVIDE A COMPLETE SYSTEM DESIGN IN COMPLIANCE WITH NFPA 72, THE IBC, NFPA 101, AND ANY OTHER ENFORCED CODES AND AMENDMENTS, INCLUDING ENGINEERED SIGNED AND SEALED DRAWINGS, POINT TO POINT WIRING WITH PROPOSED CIRCUITING OR CONDUIT ROUTING. ALL APPLICABLE CALCULATIONS, DEVICE MANUFACTURERS AND QUANTITIES, WIRING DIAGRAMS, AND SHOP SUBMITTALS. CONTRACTOR SHALL BE RESPONSIBLE FOR ALL ASSOCIATED PERMITS, INSPECTIONS, AND TESTING. CONSULT LOCAL BUILDING AUTHORITY AND FIRE MARSHAL REGARDING LOCAL AREA'S REQUIREMENTS.



**1 | SPECIAL SYSTEMS PLAN - 1ST FLOOR**  
E3.1.3 | 1/8" = 1'-0"  
NORTH

**CONTRACTOR NOTE**  
IT IS THE RESPONSIBILITY OF THE CONTRACTOR TO NOTIFY THE ARCHITECT, LANDLORD AND TENANT OF ANY DISCREPANCIES ENCOUNTERED ON THE PLANS OR IN EXISTING SITE CONDITIONS PRIOR TO SUBMISSION OF BID.  
BIDDERS ARE TO VISIT THE SITE AND FAMILIARIZE THEMSELVES WITH EXISTING CONDITIONS AND SATISFY THEMSELVES AS TO THE NATURE AND SCOPE OF THE WORK. THE BASE BID SHALL REFLECT MODIFICATIONS TO SYSTEMS AND DEVICES AS REQUIRED BY STATE, LOCAL AND FEDERAL CODES WHETHER INDICATED OR NOT ON CONTRACT DOCUMENTS. THE SUBMISSIONS OF A BID WILL BE EVIDENCE THAT SUCH AN EXAMINATION AND COMPLIANCE WITH GOVERNING CODES/REQUIREMENTS HAS BEEN MADE. LATER CLAIMS FOR LABOR, EQUIPMENT, OR MATERIALS REQUIRED, OR FOR DIFFICULTIES ENCOUNTERED WHICH COULD HAVE BEEN FORESEEN HAD AN EXAMINATION AND CODE/REQUIREMENTS REVIEW BEEN MADE, WILL NOT BE ALLOWED.

**pi architects**  
3500 Jefferson St. Suite 303  
Austin, TX 78731  
P: (512) 231-1910  
F: (512) 231-1950  
www.piarch.com  
architecture + master  
interior + landscape  
architecture



These plans have been properly examined by the undersigned. I have determined that they comply with existing local Louisiana codes, and have been properly adapted to use in this area.

**WATERSTONE AT BATON ROUGE  
ASSISTED LIVING & MEMORY CARE**  
SIEGEN LANE  
BATON ROUGE, LA 70810

ISSUE: PERMIT SET

©2015 PI ARCHITECTS, INC.  
REVISIONS:

DATE: 03/31/2016  
PROJECT NUMBER: PES 15090  
SHEET TITLE: SPECIAL SYSTEMS PLAN - 1ST FLOOR  
SHEET:

**E3.1.3**