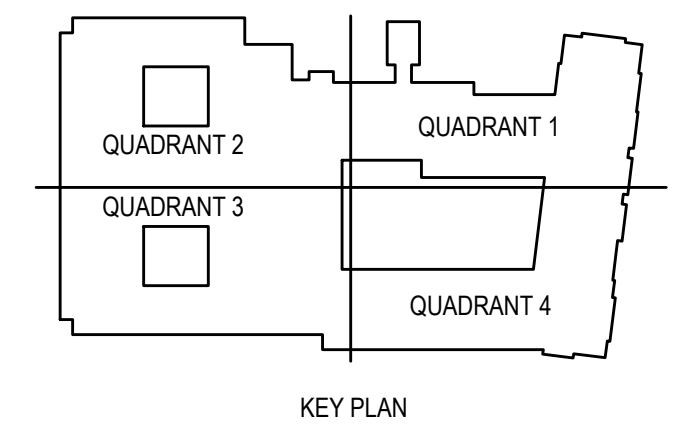
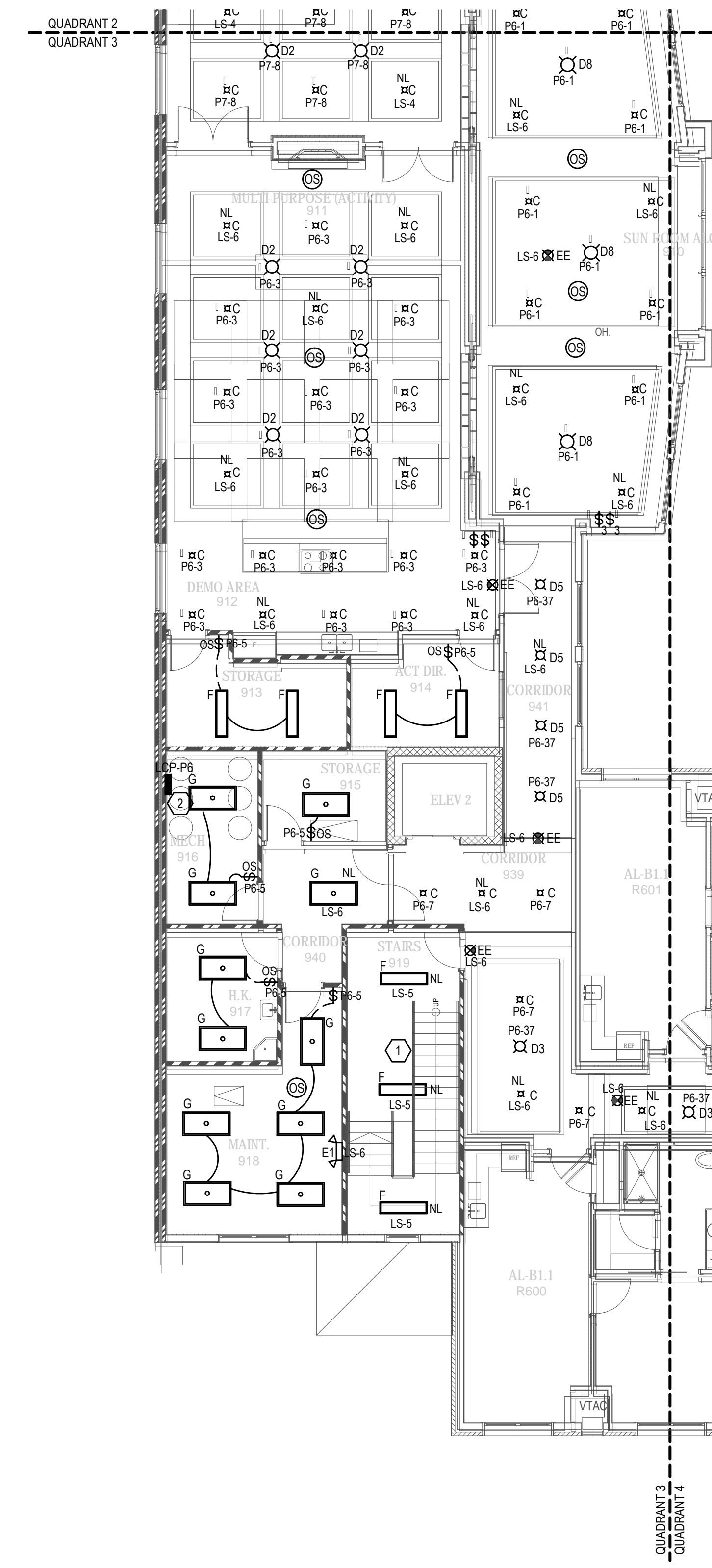


PLAN NOTES:

- CONNECT ALL LIGHTING IN THIS STAIRWAY TO ONE CIRCUIT AS INDICATED ON FIRST FLOOR PLAN.
- PROVIDE LIGHTING CONTROL PANEL BY GREENGATE (OR EQUAL) TO CONTROL ALL LIGHTING AND TENANT SIGNAGE. SEE DETAIL #2-9 THIS SHEET E1.1.1 FOR MORE INFORMATION.

GENERAL NOTES:

- ALL WORK SHALL MEET OR EXCEED ALL NEC STANDARDS.
- SEE MAIN ELECTRICAL GENERAL NOTES FOR MORE INFORMATION.
- COORDINATE ALL WORK WITH OTHER TRADES PRIOR TO ROUGH-IN.
- VERIFY EXACT LOCATIONS AND MOUNTING HEIGHTS FOR ALL FIXTURES AND DEVICES PRIOR TO ROUGH-IN.
- ALL EXIT/EMERGENCY LIGHTING SHALL BE PROVIDED WITH AN UNSWITCHED CONDUCTOR ON THE INDICATED CIRCUIT.
- ALL FIXTURES SHOWN "NL" ARE USED FOR EMERGENCY EGRESS LIGHTING AND ARE CIRCUITED TO THE LIFE SAFETY PANEL ON THE GENERATOR OR SHALL COME EQUIPPED WITH AN EMERGENCY BATTERY FOR BACK-UP POWER.
- ALL FIXTURES SHOWN WITH A "NL" TAG SHALL BE CONSIDERED A NIGHT LIGHT AND BE CONNECTED AHEAD OF ALL CONTROLS.
- VERIFY THE COLOR OF ALL FIXTURES, DEVICES, AND COVER PLATES WITH OWNER.
- ALL LIGHT FIXTURES INSTALLED IN CLOSETS SHALL CONFORM TO NEC ARTICLE 410.8.
- FOR ALL OCCUPANCY SENSORS, PROVIDE SWITCHPACK AND ALL OTHER REQUIRED HARDWARE WHERE NECESSARY. COORDINATE ALL SETTINGS WITH OWNER PRIOR TO ROUGH-IN.



CONTRACTOR NOTE

IT IS THE RESPONSIBILITY OF THE CONTRACTOR TO NOTIFY THE ARCHITECT, LANDLORD AND TENANT OF ANY DISCREPANCIES ENCOUNTERED ON THE PLANS OR IN EXISTING SITE CONDITIONS PRIOR TO SUBMISSION OF BID.

BIDDERS ARE TO VISIT THE SITE AND FAMILIARIZE THEMSELVES WITH EXISTING CONDITIONS AND SATISFY THEMSELVES AS TO THE NATURE AND SCOPE OF THE WORK. THE BASE BID SHALL REFLECT MODIFICATIONS TO SYSTEMS AND DEVICES AS REQUIRED BY STATE, LOCAL AND FEDERAL CODES WHETHER INDICATED OR NOT ON CONTRACT DOCUMENTS. THE SUBMISSIONS OF A BID WILL BE EVIDENCE THAT SUCH AN EXAMINATION AND COMPLIANCE WITH GOVERNING CODES/REQUIREMENTS HAS BEEN MADE. LATER CLAIMS FOR LABOR, EQUIPMENT, OR MATERIALS REQUIRED, OR FOR DIFFICULTIES ENCOUNTERED WHICH COULD HAVE BEEN FORESEEN HAD AN EXAMINATION AND CODE/REQUIREMENTS REVIEW BEEN MADE, WILL NOT BE ALLOWED.

E1.2.3 LIGHTING PLAN - 2ND FLOOR
1/8" = 1'-0"

BIM Server: Server2012 - BIM Server (18/07/14017 Concordia Baton Rouge) [Ver: 18.0011 Wednesday, September 02, 2015] 4:04 PM

3500 Jefferson St. Suite 303
Austin, TX 78731
P: (512) 231-1910
F: (512) 231-1950
www.piarch.com
architecture + master
interior + landscape
architecture
PE SERVICE, INC.
LICENSED FOR THE STATE OF LOUISIANA
These plans have been properly
examined by the undersigned. I
have determined that they comply
with existing local Louisiana
codes, and have been properly
site adapted to use in this area.

**WATERSTONE AT BATON ROUGE
ASSISTED LIVING & MEMORY CARE**

SIEGEN LANE
BATON ROUGE, LA 70810

ISSUE: PERMIT SET

©2015 PI ARCHITECTS, INC.

REVISIONS:

DATE: 03/31/2016
PROJECT NUMBER: PES 15090
SHEET TITLE: LIGHTING PLAN - 2ND FLOOR
SHEET: E1.2.3