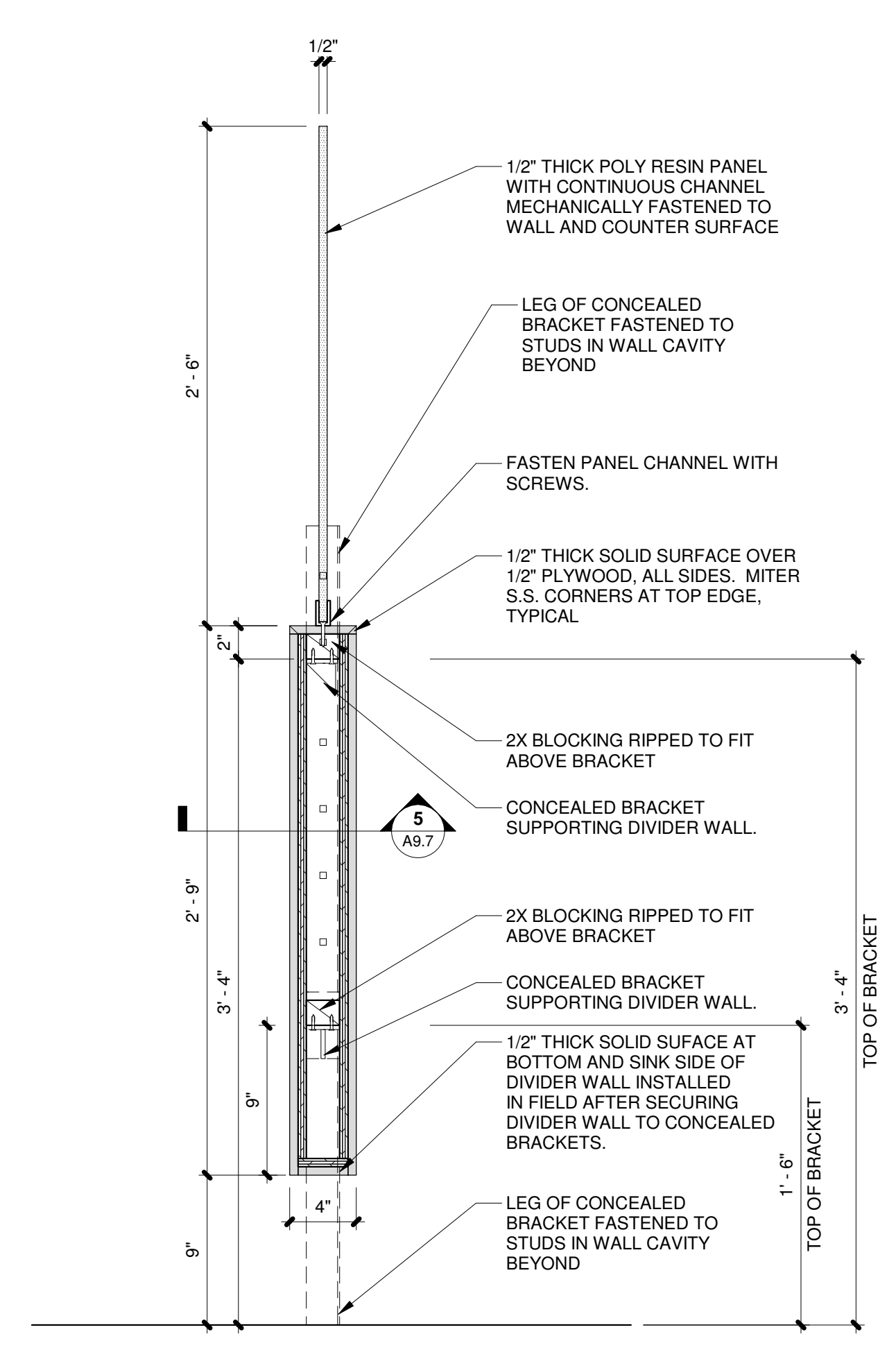
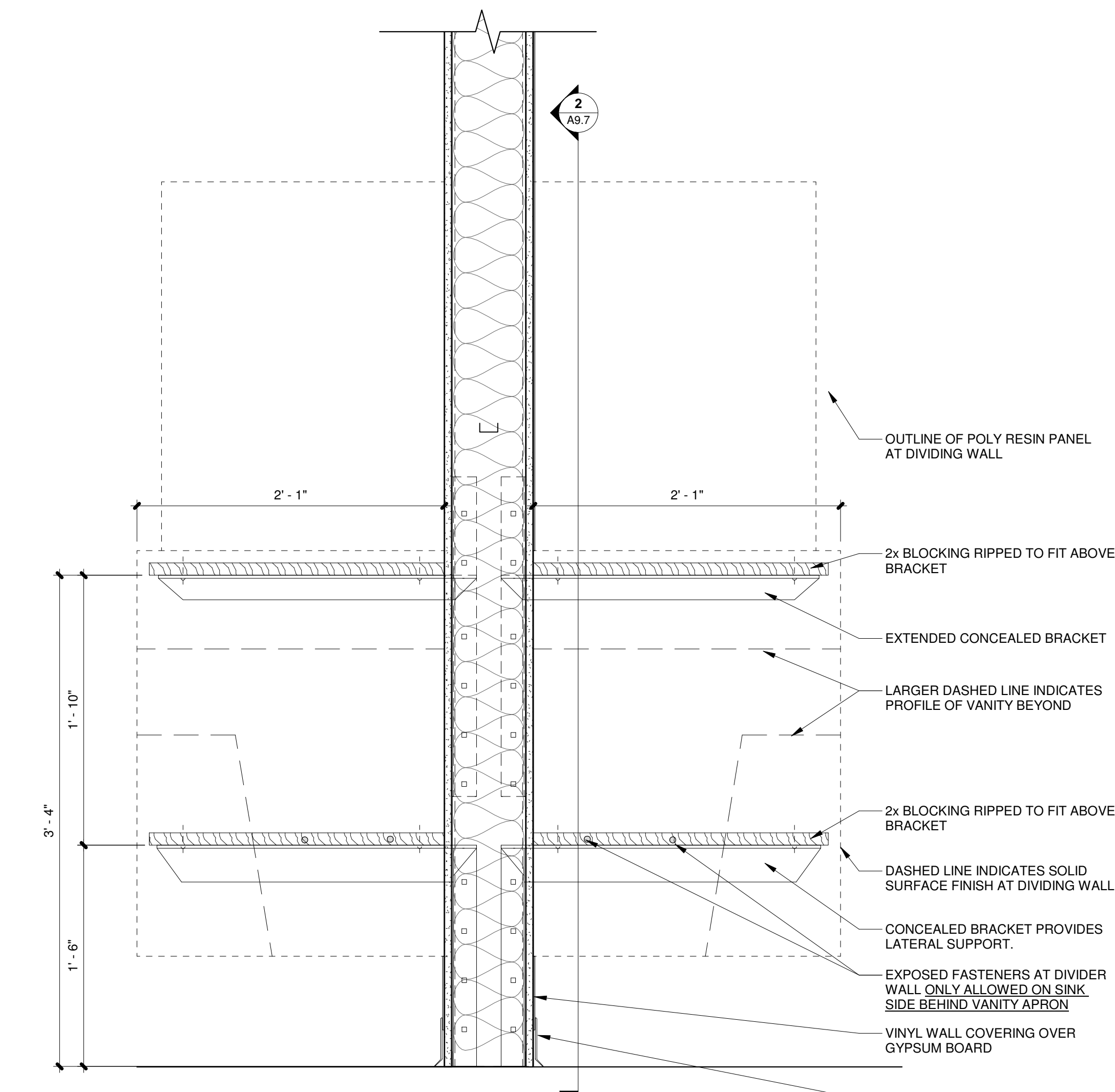


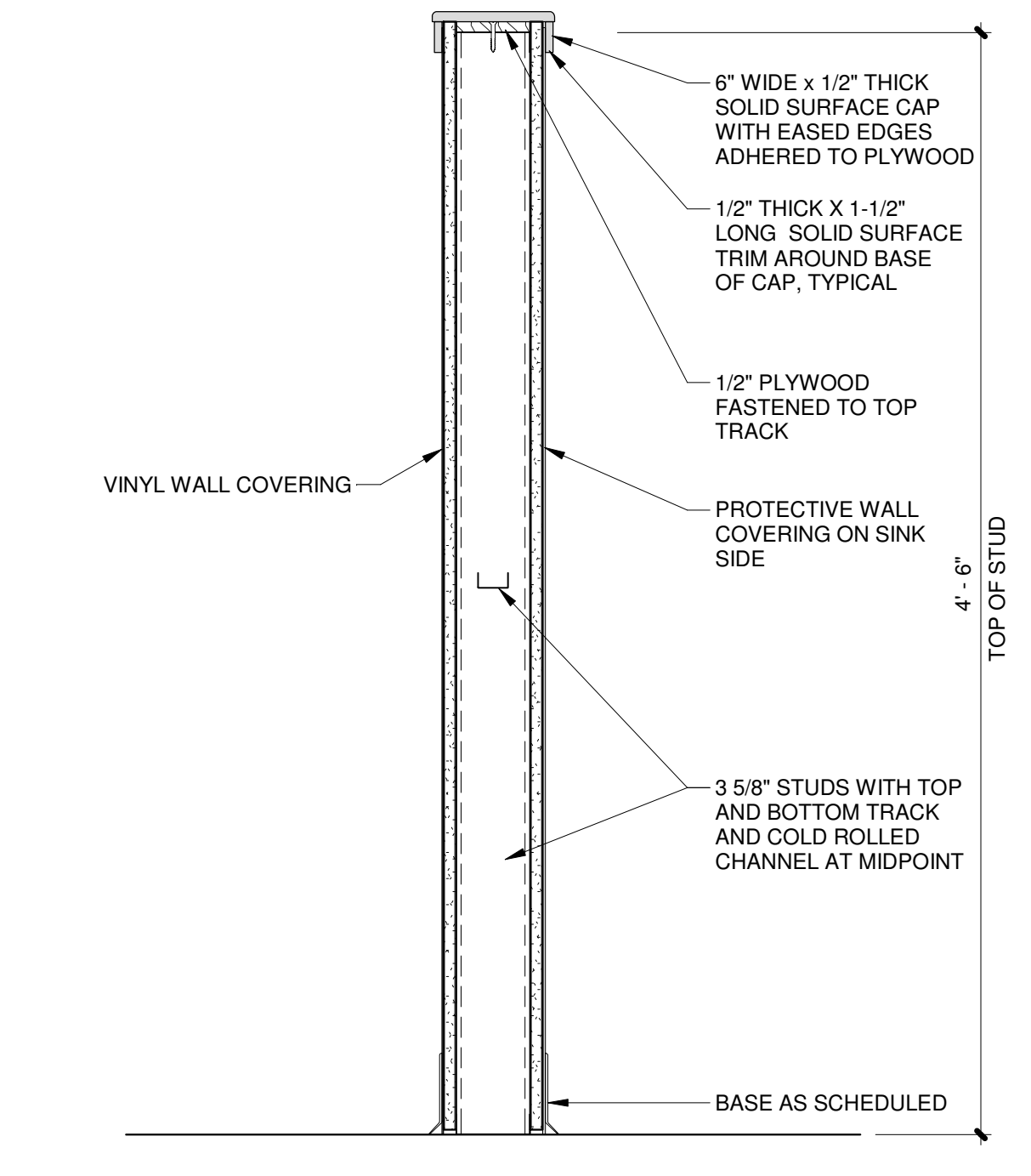
1 HEADWALL DETAIL
A9.7 1 1/2" = 1'-0"



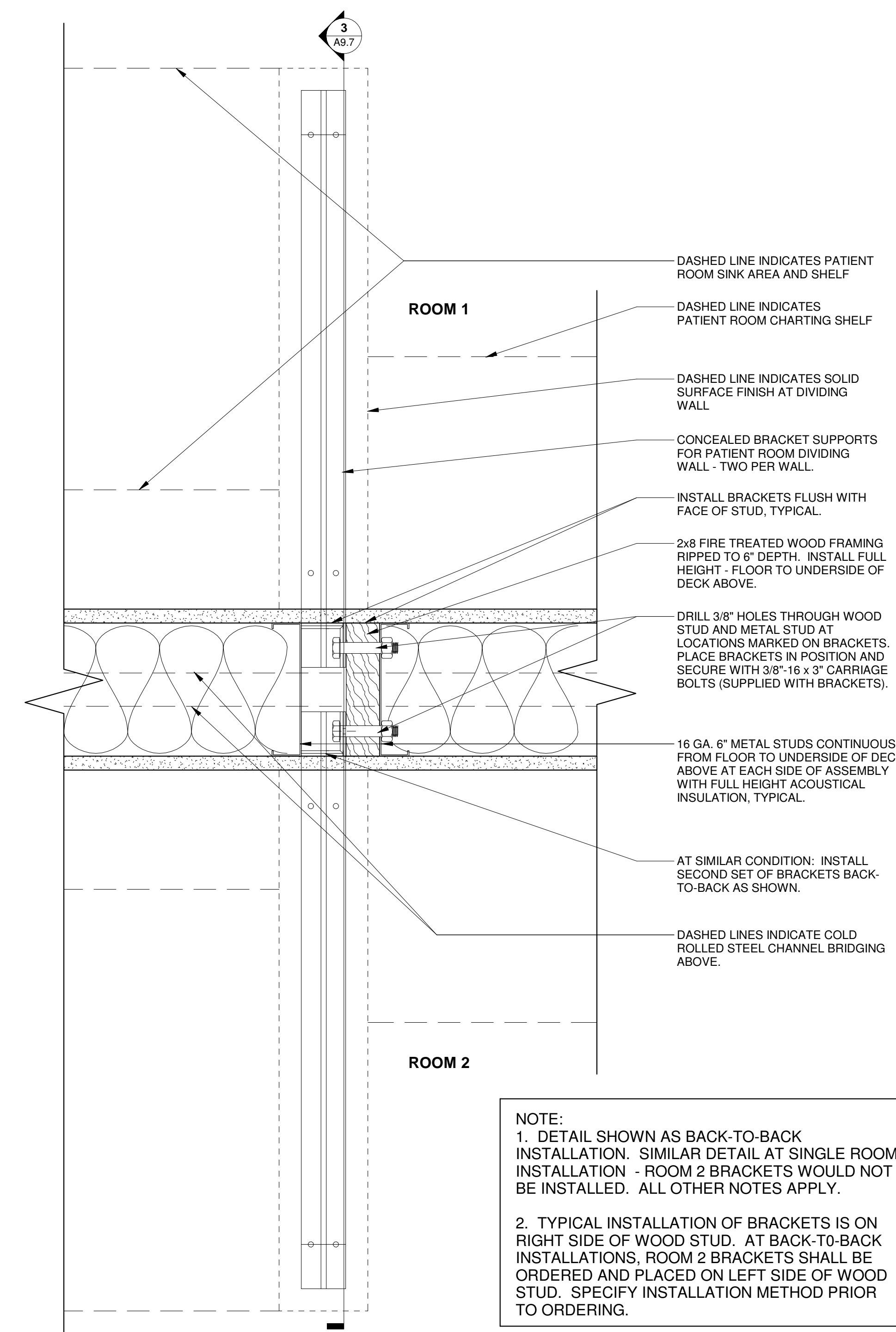
2 DIVIDER WALL DETAIL
A9.7 1 1/2" = 1'-0"



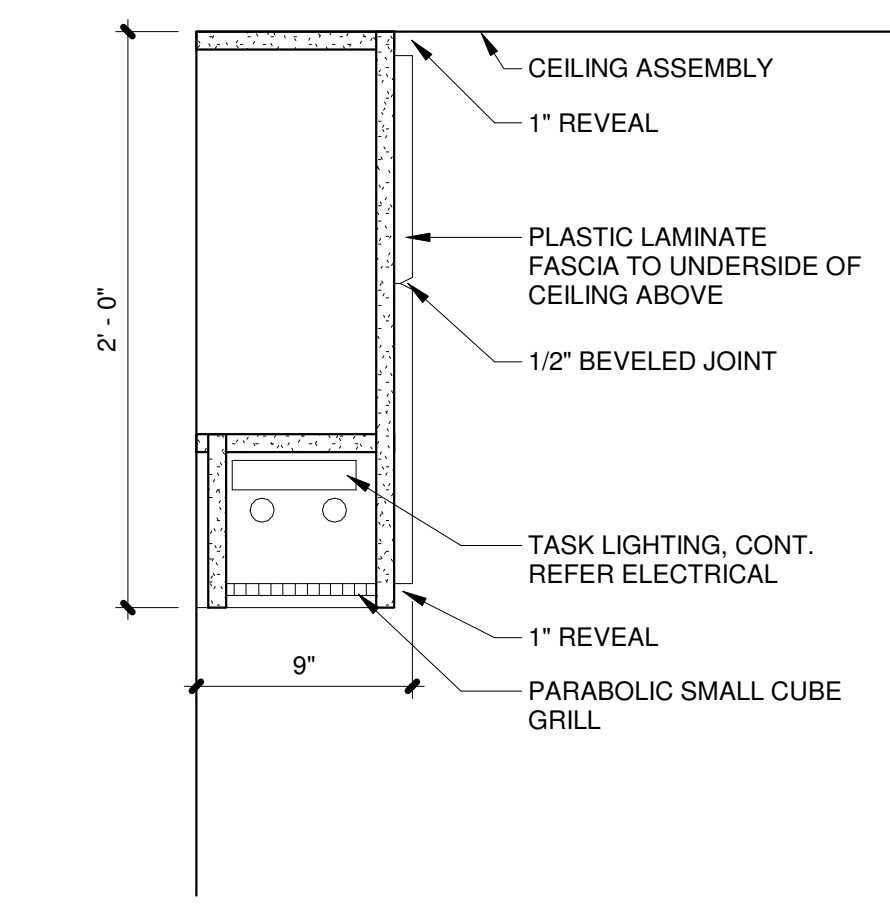
3 DIVIDER WALL SECTION
A9.7 1 1/2" = 1'-0"



4 PARTIAL HEIGHT PARTITION DETAIL
A9.7 1 1/2" = 1'-0"



5 DIVIDER WALL PLAN DETAIL
A9.7 3" = 1'-0"



6 LDRP HEADWALL DETAIL
A9.7 1 1/2" = 1'-0"

NOTE:
1. DETAIL SHOWN AS BACK-TO-BACK INSTALLATION. SIMILAR DETAIL AT SINGLE ROOM INSTALLATION - ROOM 2 BRACKETS WOULD NOT BE INSTALLED. ALL OTHER NOTES APPLY.
2. TYPICAL INSTALLATION OF BRACKETS IS ON RIGHT SIDE OF WOOD STUD. AT BACK-TO-BACK INSTALLATIONS, ROOM 2 BRACKETS SHALL BE ORDERED AND PLACED ON LEFT SIDE OF WOOD STUD. SPECIFY INSTALLATION METHOD PRIOR TO ORDERING.